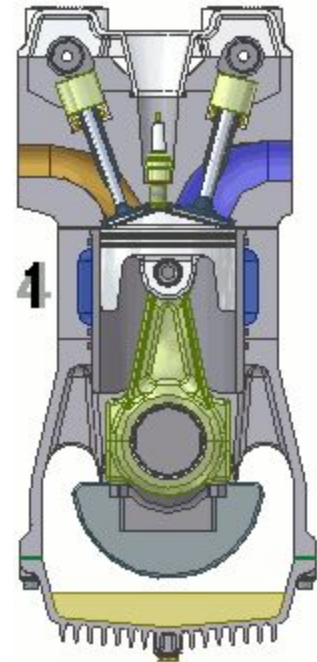
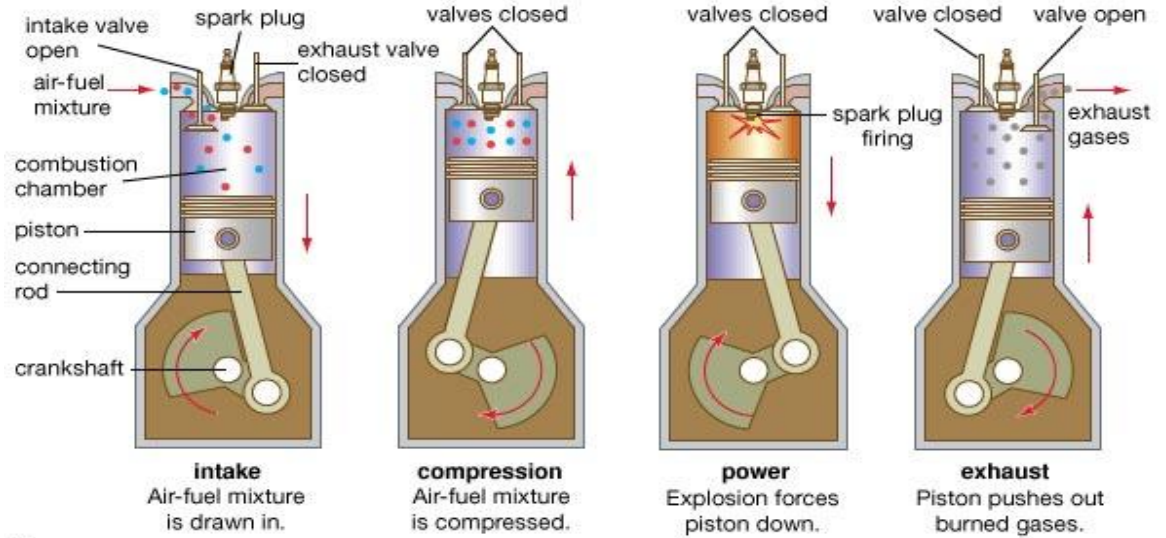


INTERNAL COMBUSTION ENGINE





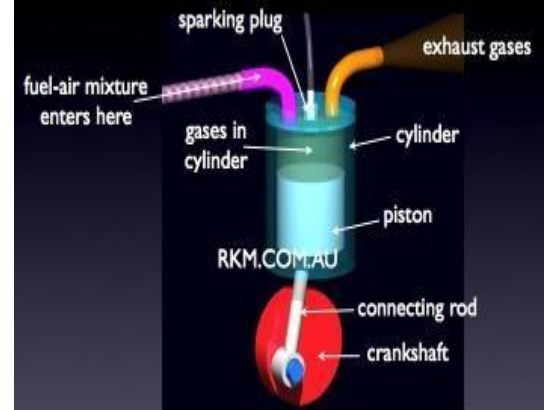
Four-stroke cycle

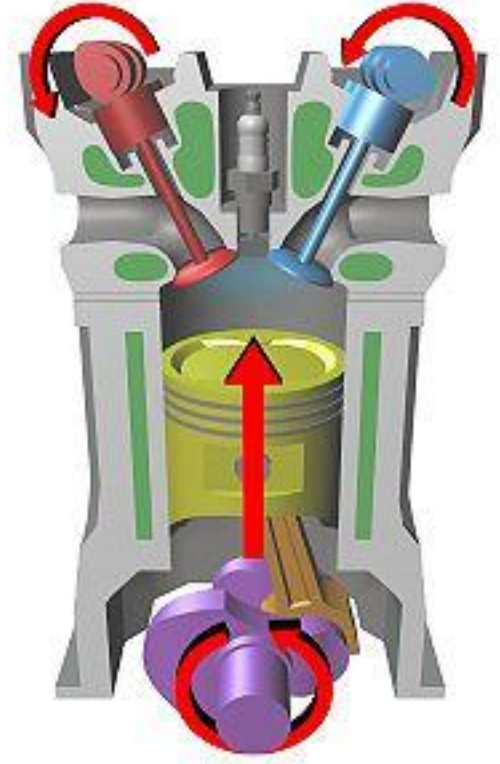


© 2007 Encyclopædia Britannica, Inc.



4-stroke engine model





Typical Pushrod V6

