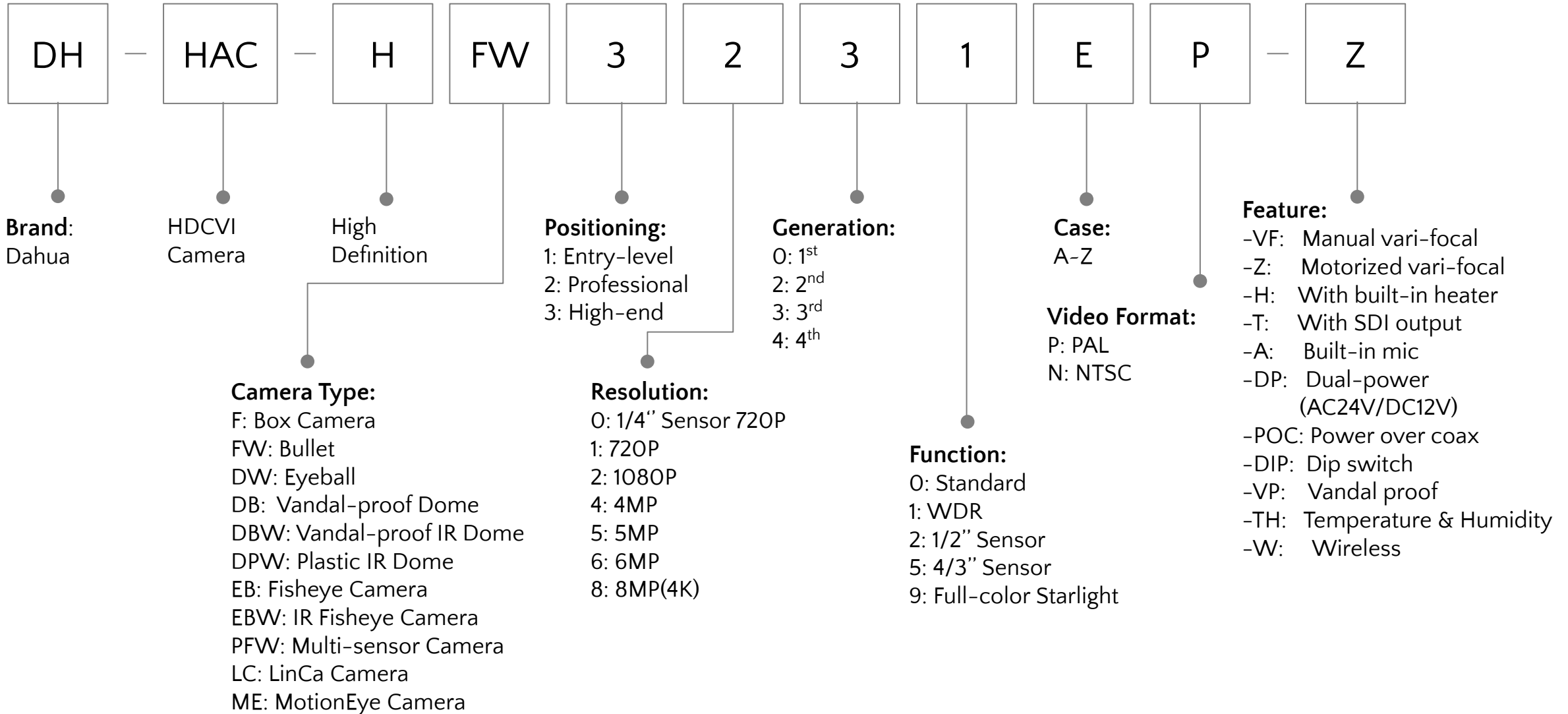




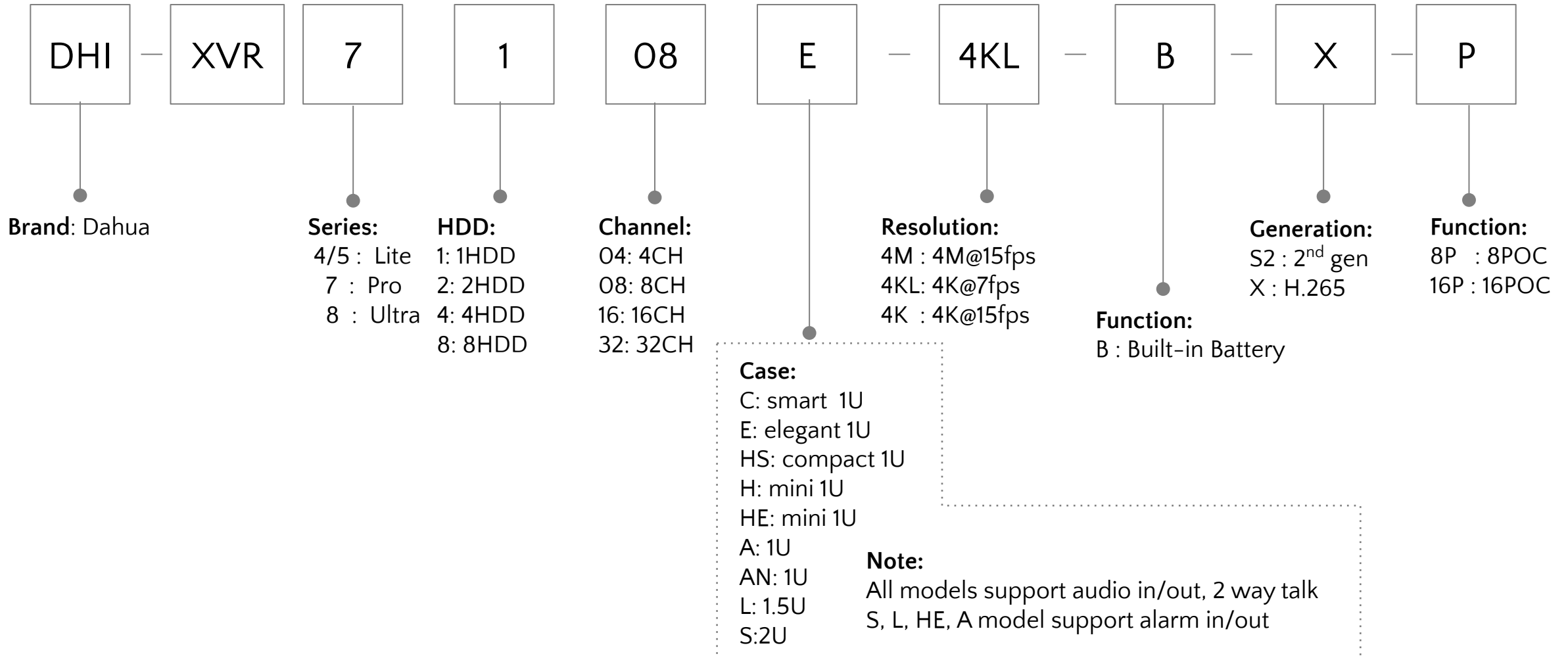
# Name Rule V.201808

Page	Product
1	V.201808
2	HDCVI Camera
3	HDCVI Recorder
4-5	Network Camera
6-7	General NVR
8	Consumer Camera
9	Speed Dome
10-11	Switch/ Wireless Bridge
12-13	Video Intercom

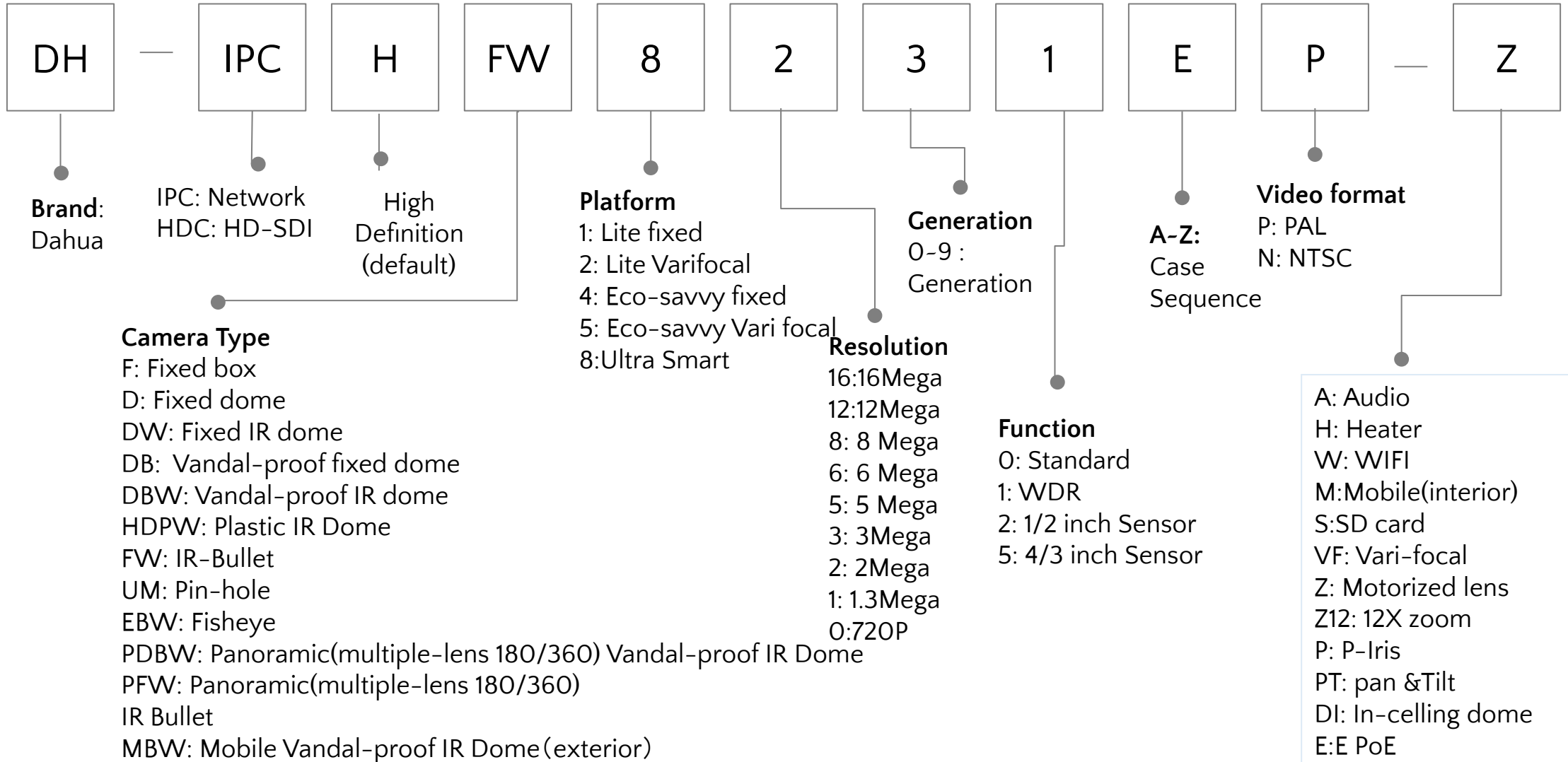
# HDCVI Camera



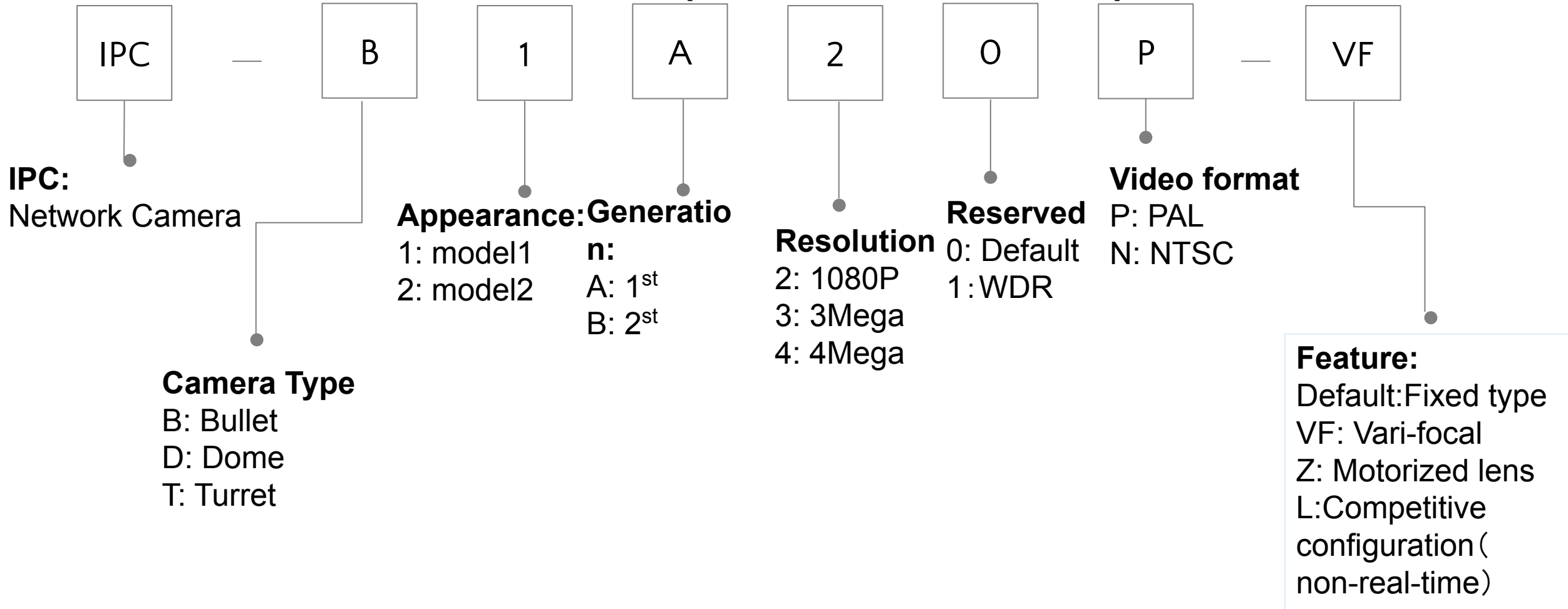
# HDCVI Recorder (XVR)



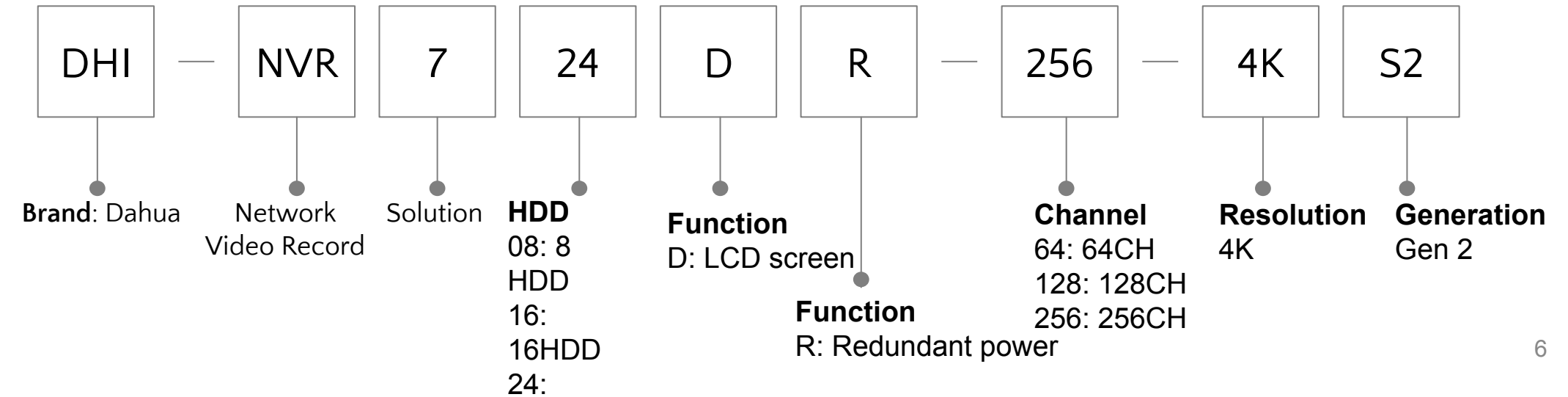
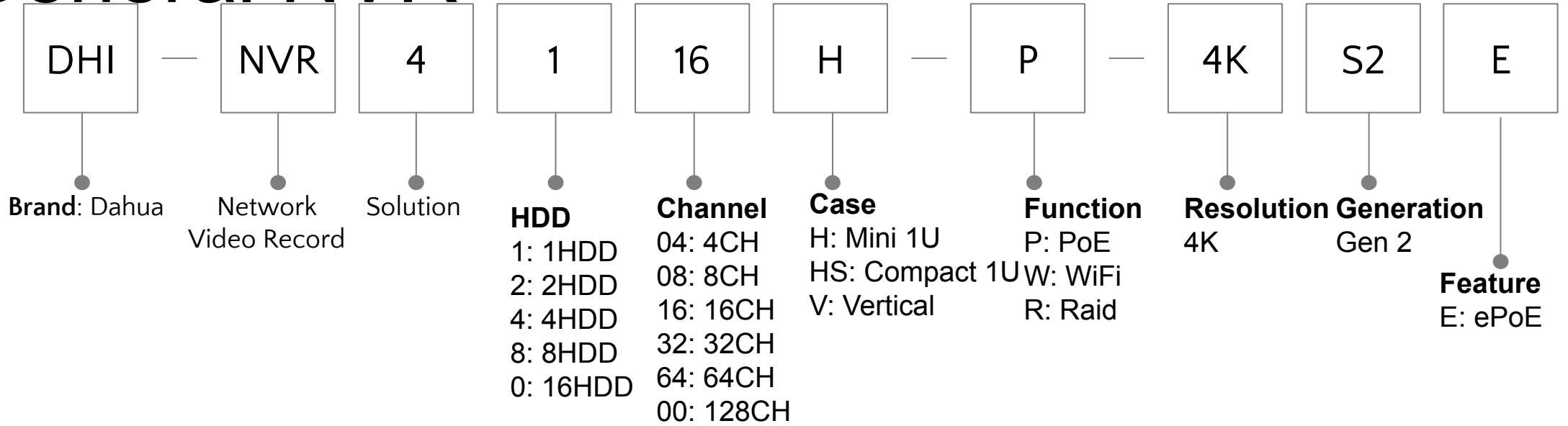
# Network Camera



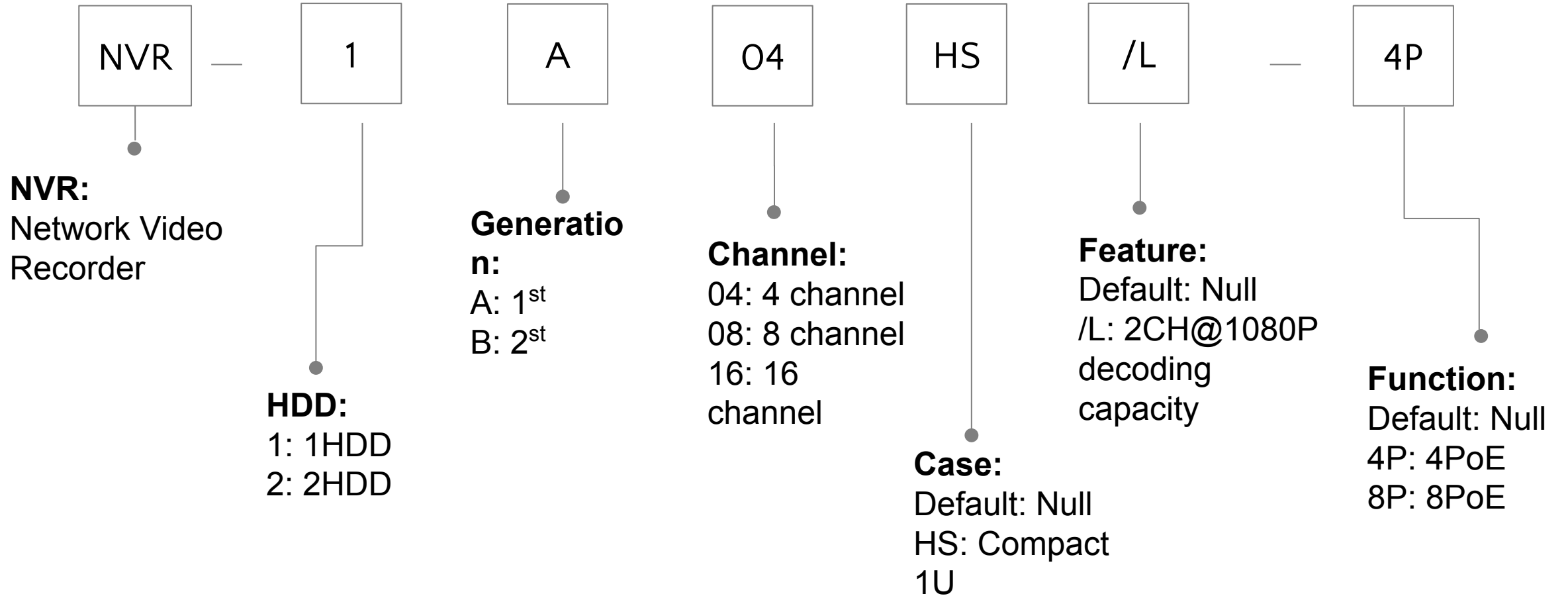
# Network Camera (EZ-IP Series)



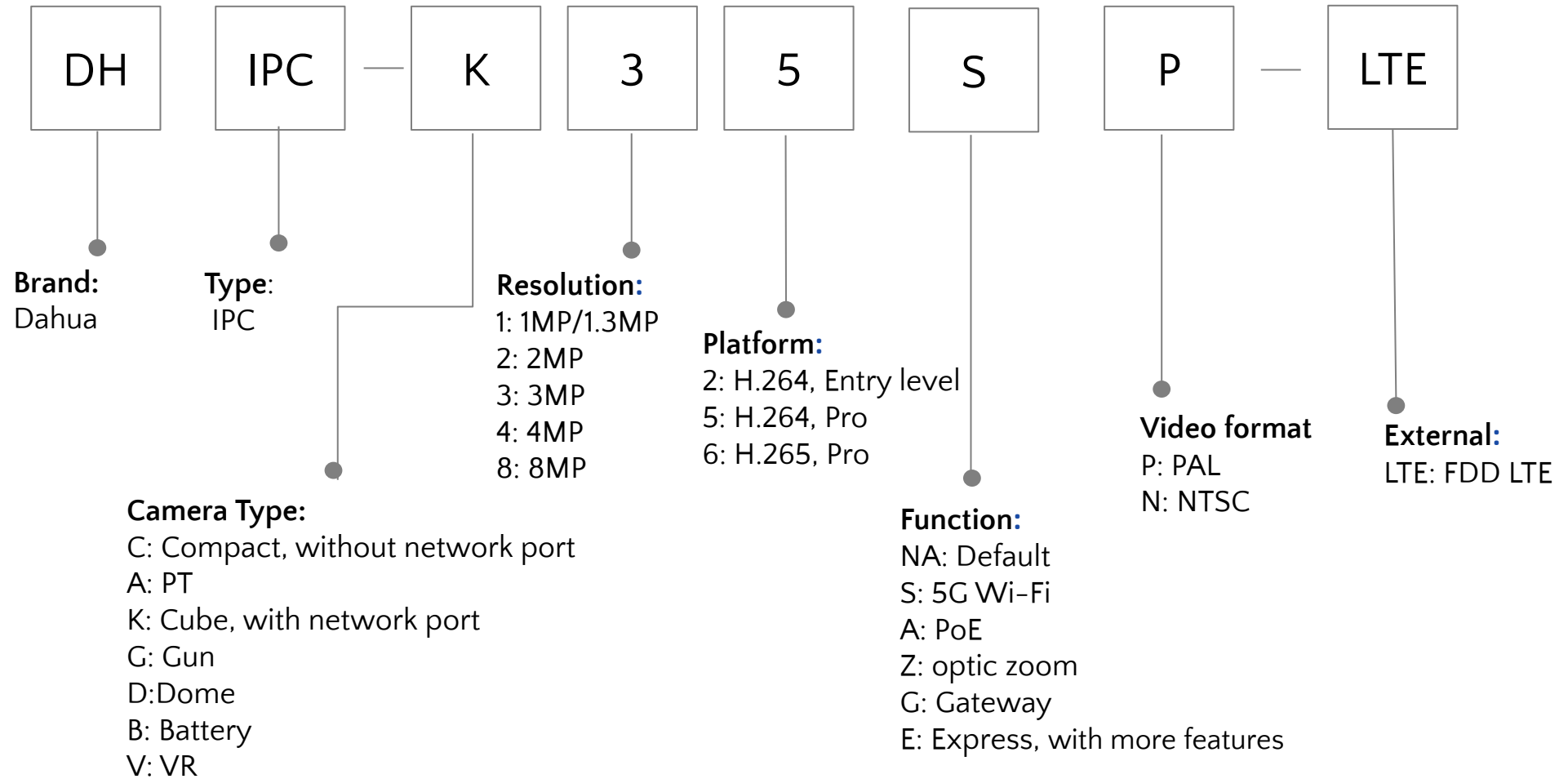
# General NVR



# General NVR (EZ-IP Series)

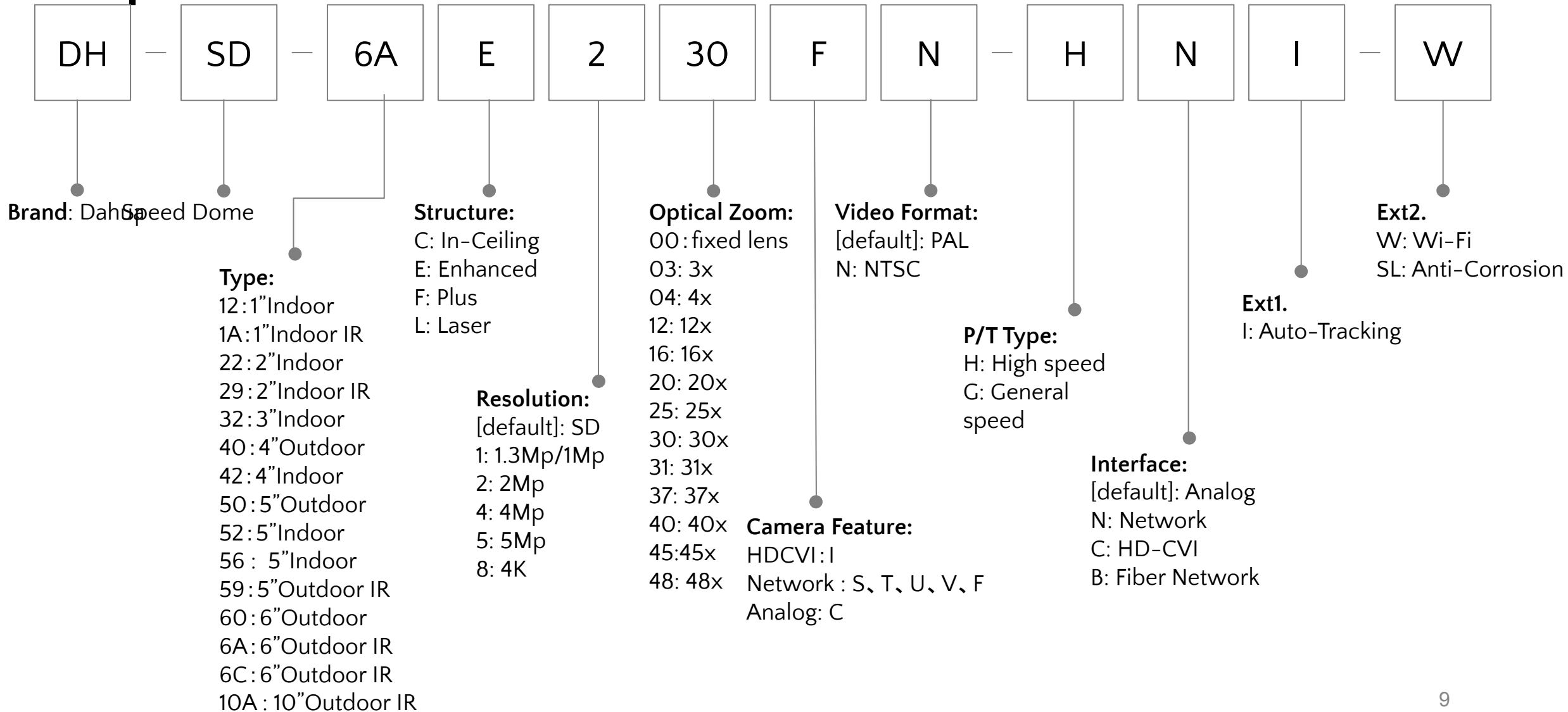


# Consumer Camera

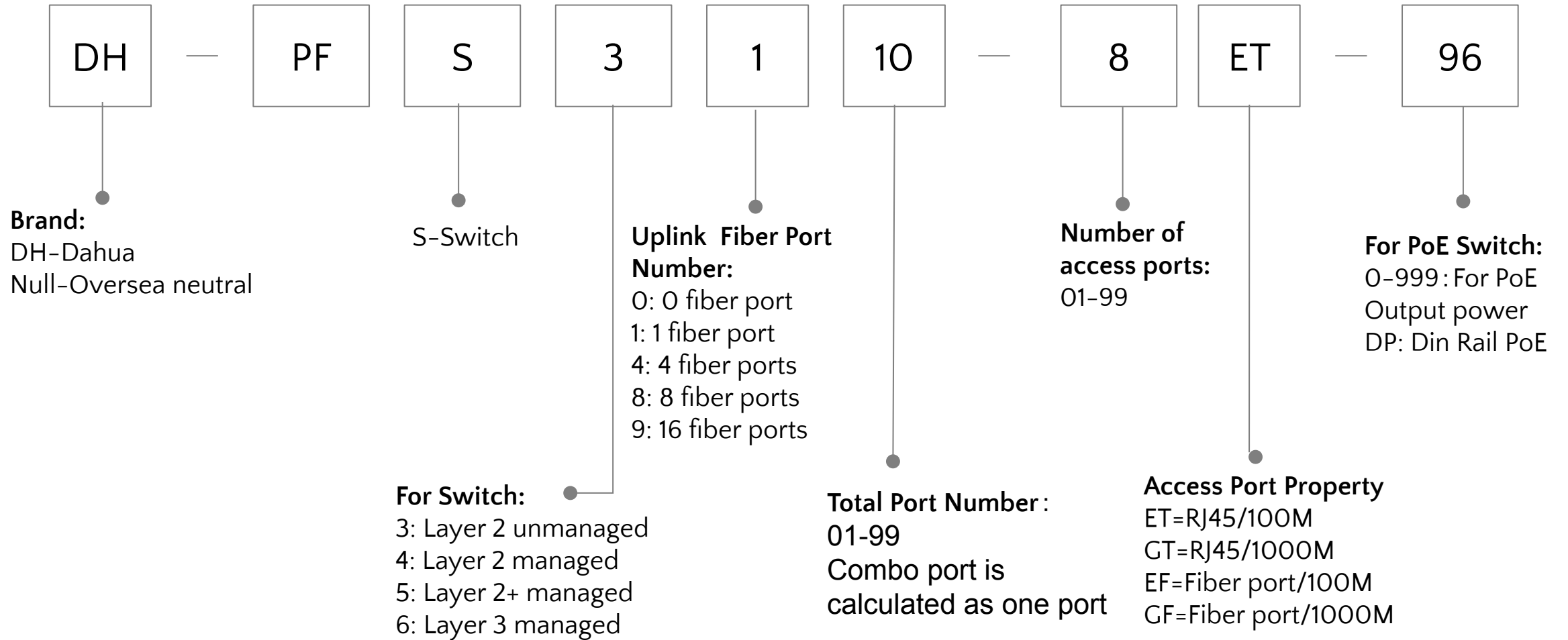




# Speed Dome

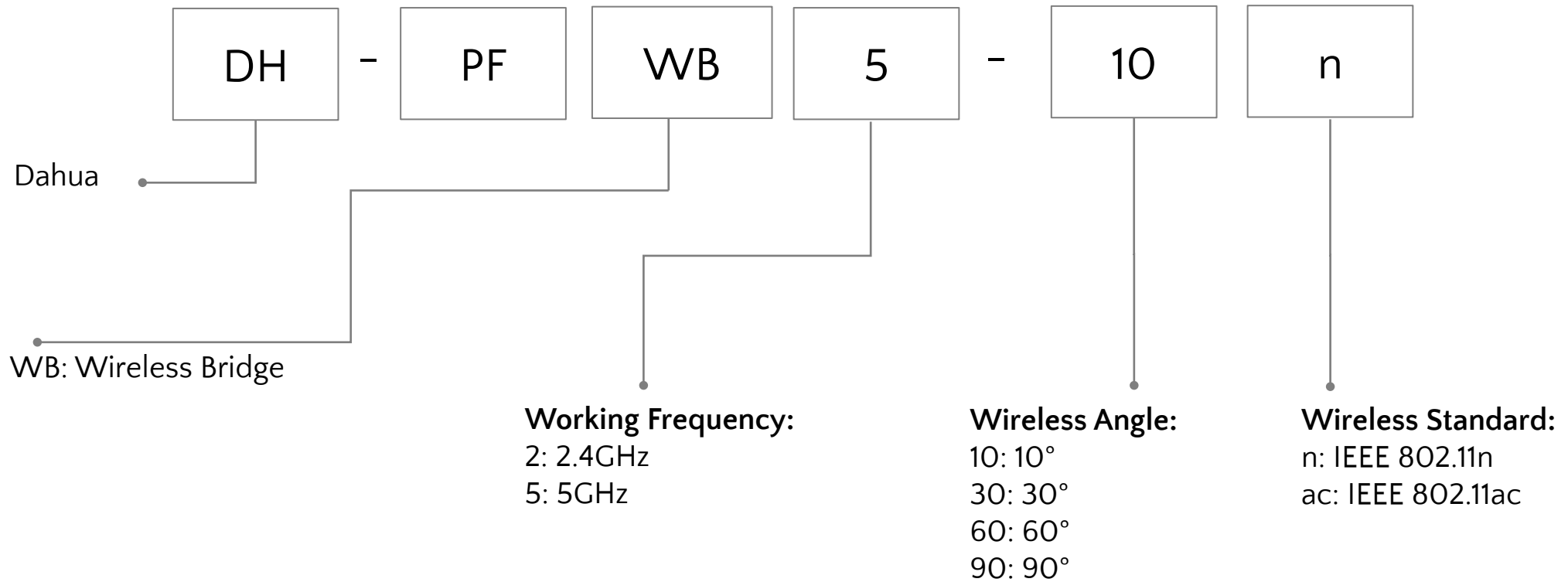


# Switch



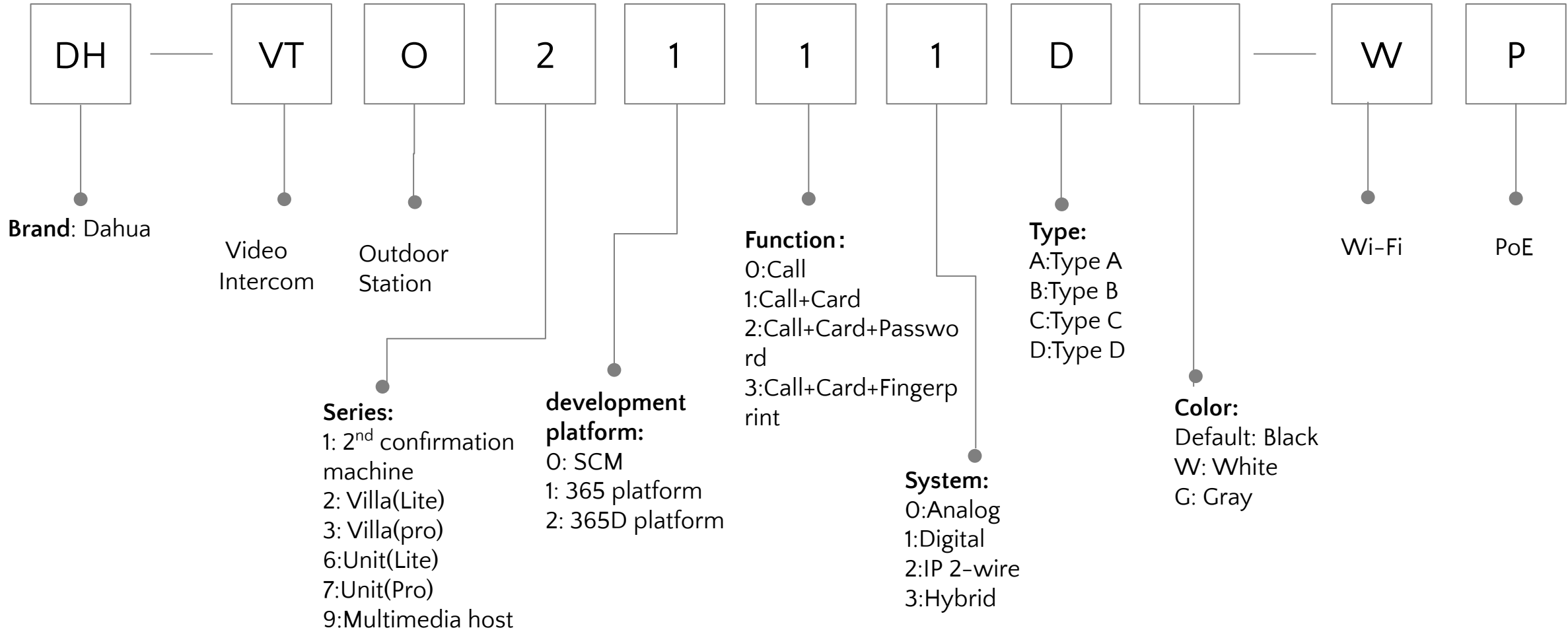
# Wireless Bridge

—Only for V-Radio series wireless bridge



# Video Intercom(Outdoor Station)

Notice: The naming rule is applicable to the products released after 2016



# Video Intercom(Indoor Monitor)

Notice: The naming rule is applicable to the products released after 2016

