

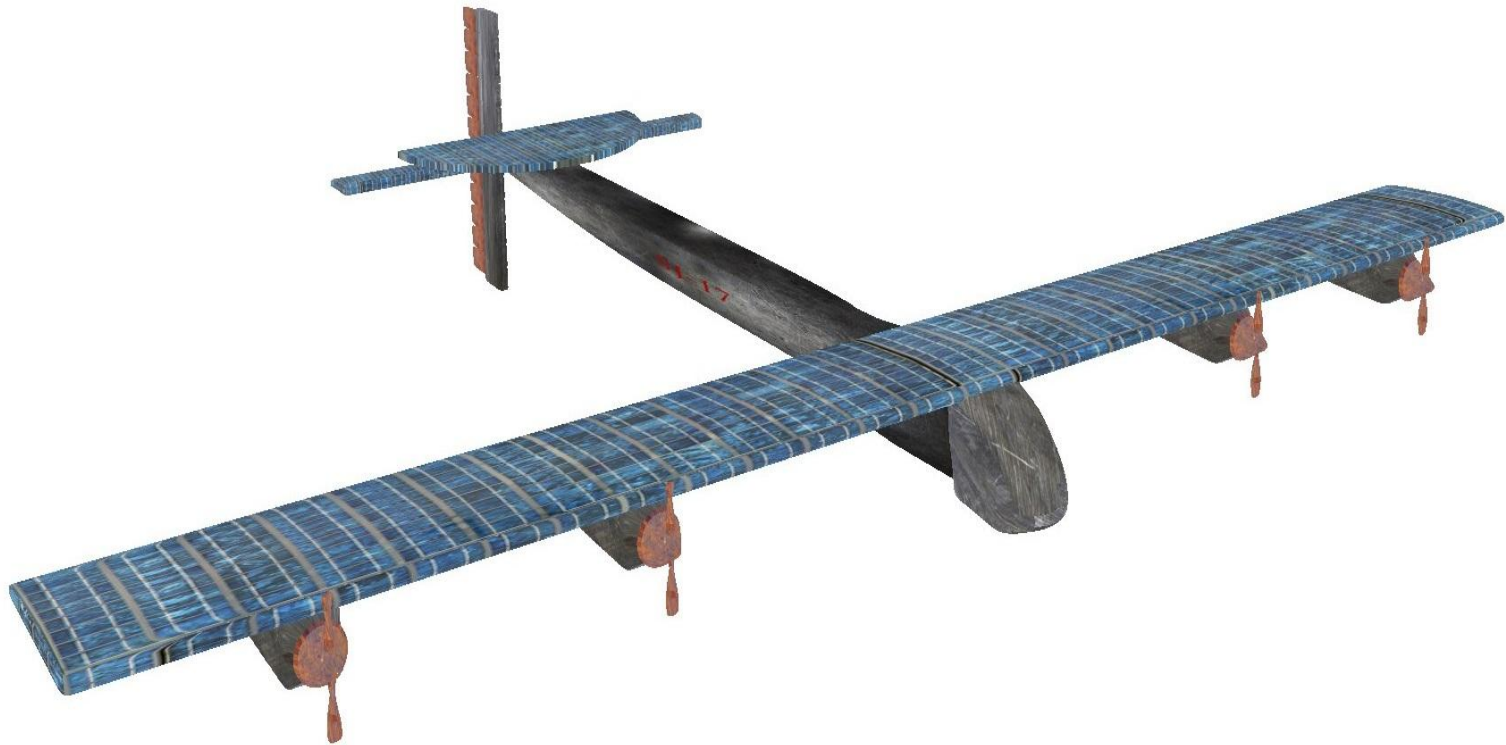


Automatized Unmanned Planes on Solar Energy



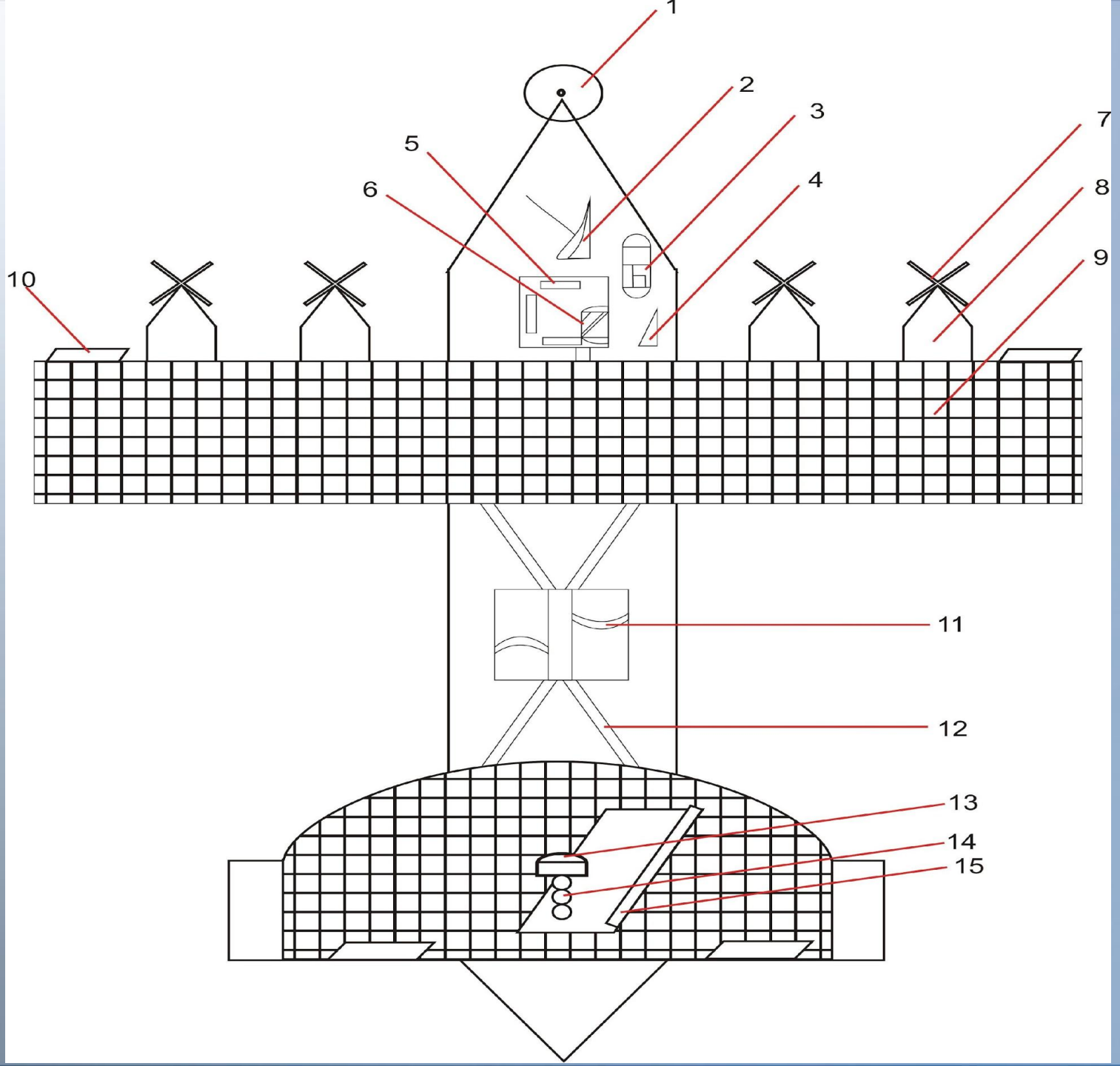
EXPO 2017
Future Energy
Astana Kazakhstan

Introduction to “SJ-17”



TODAY & IN THE LONG RUN





Technical Information

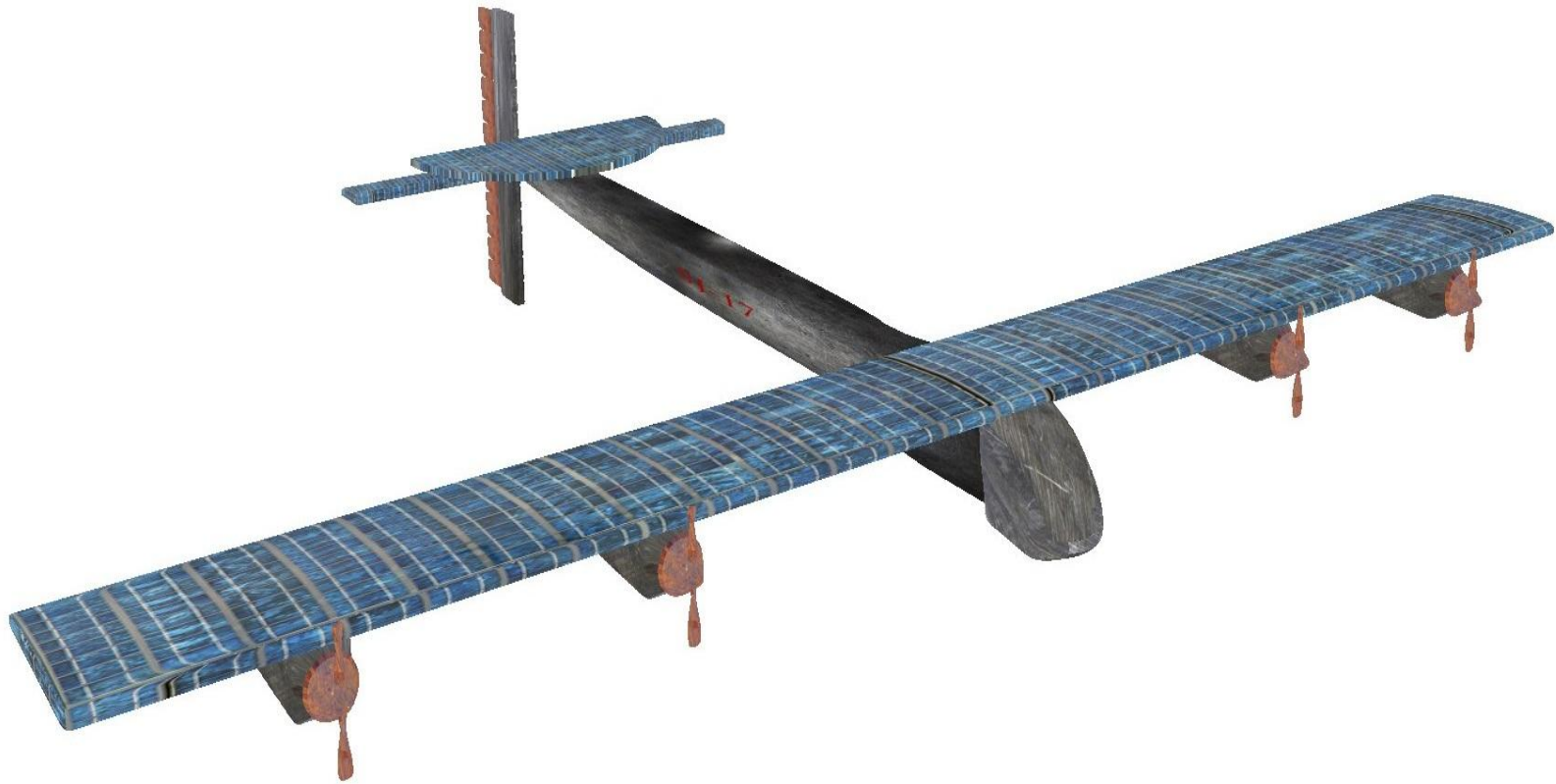
Flight Height	1000m
Maximum takeoff weight	1500 kg
Nominal weight	1100 kg
Cruising speed	65 km/h
Take-off speed	35 km/h
Wingspan	32,40 m
Wing area	180 m*m
Length	25,65 m
Height	6,5 m

Power plant	Four engines	7,35 kWt
	Four screws	Diameter - 2.5 m
Li-Po battery	Mass	412 kg
	Mass energy transfer	300 W·h/kg \triangleq 920k kJ/kh
Solar cells, usefulness coefficient	22.628 monocrystals	39.5 %

HOW
DOES IT
WORK



And again...SJ-17



THEORY

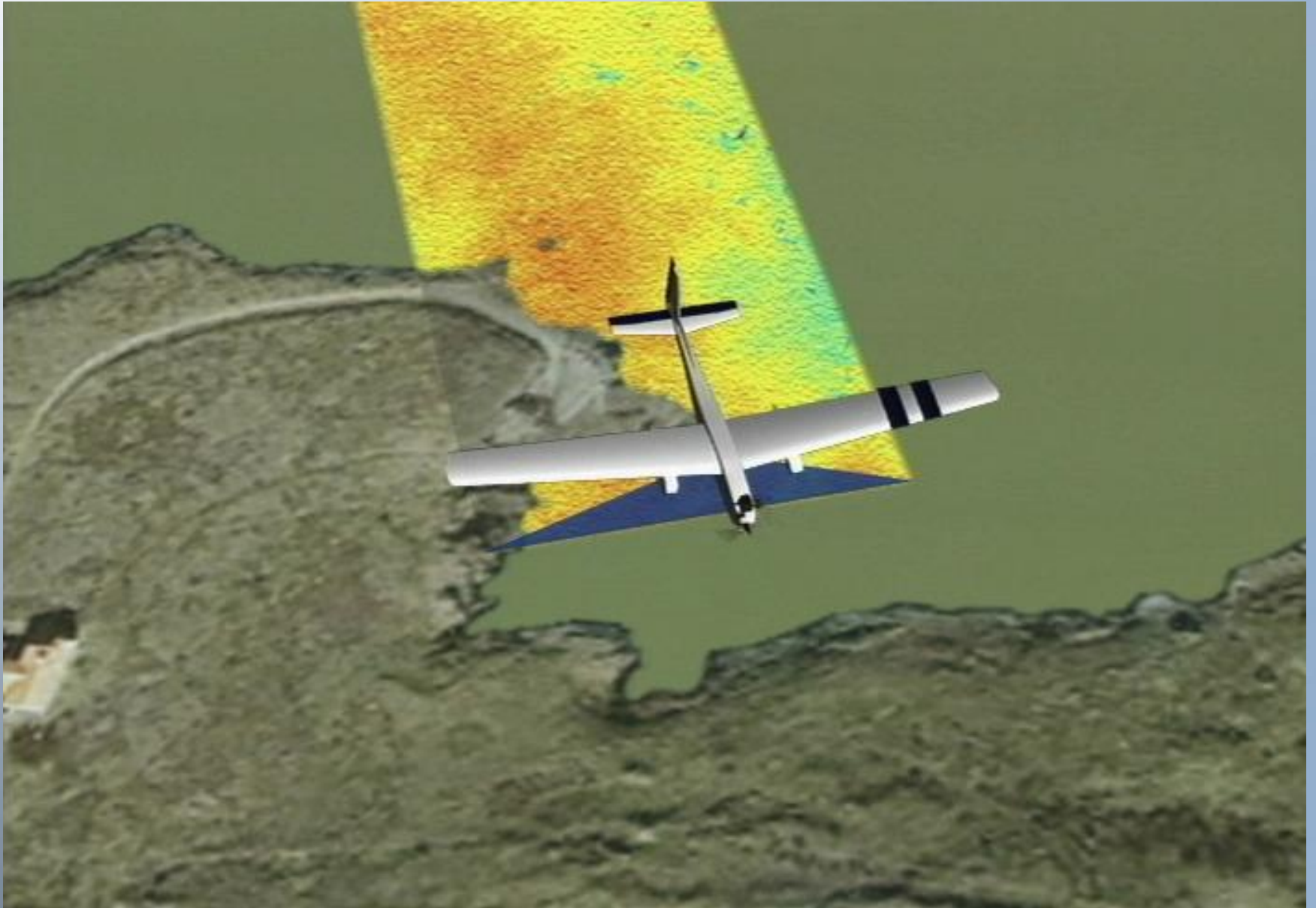
PRACTICE



ENVIROMENTAL MONITORING



Remote Sensing of the Earth



BORDER CONTROL



AGRICULTURAL PURPOSES



SUMMARY

