

ADVANCED VERSION

THE FOLLOWING FEATURES ARE AVAILABLE ONLY IN
THE ADVANCED VERSION OF BIESSEWORKS

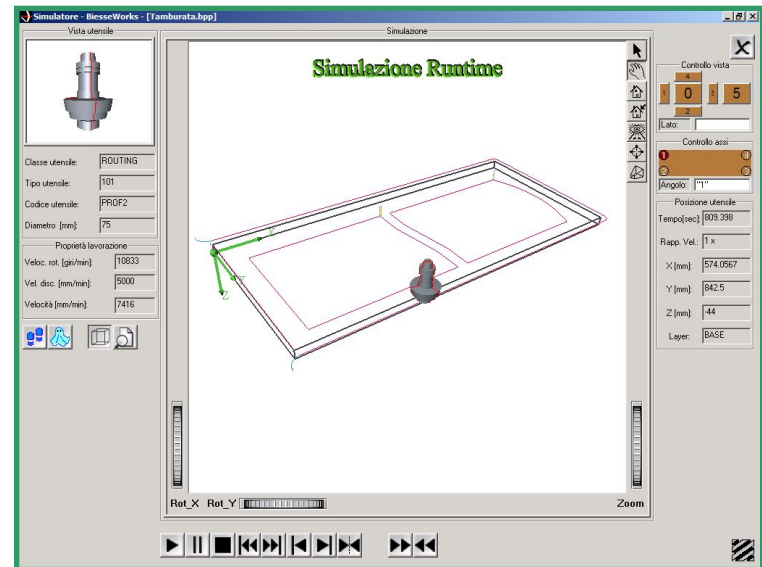
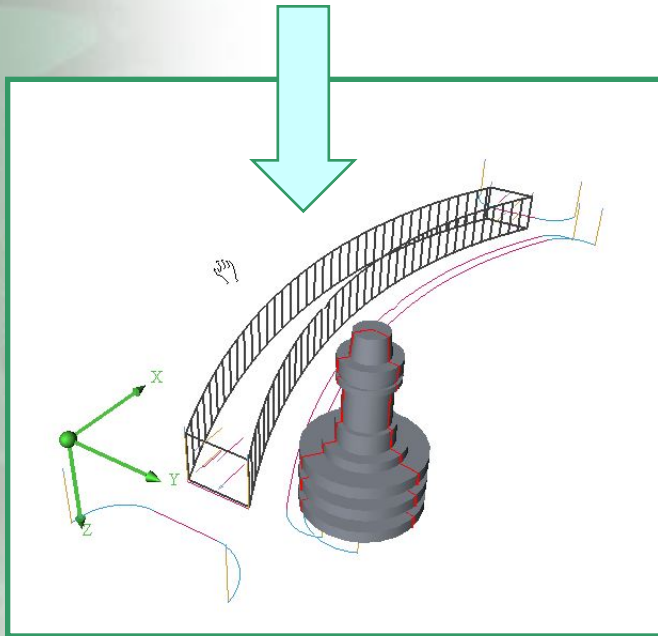
1

3D Simulation

- The wire-frame 3D simulation allows to display on the PC the real machining process, therefore detecting and correcting the possible mistakes beforehand
- Approximate calculation of machining time
- Possibility of displaying the real tool shape
- Availability of rotation and zoom functions

3D Simulation

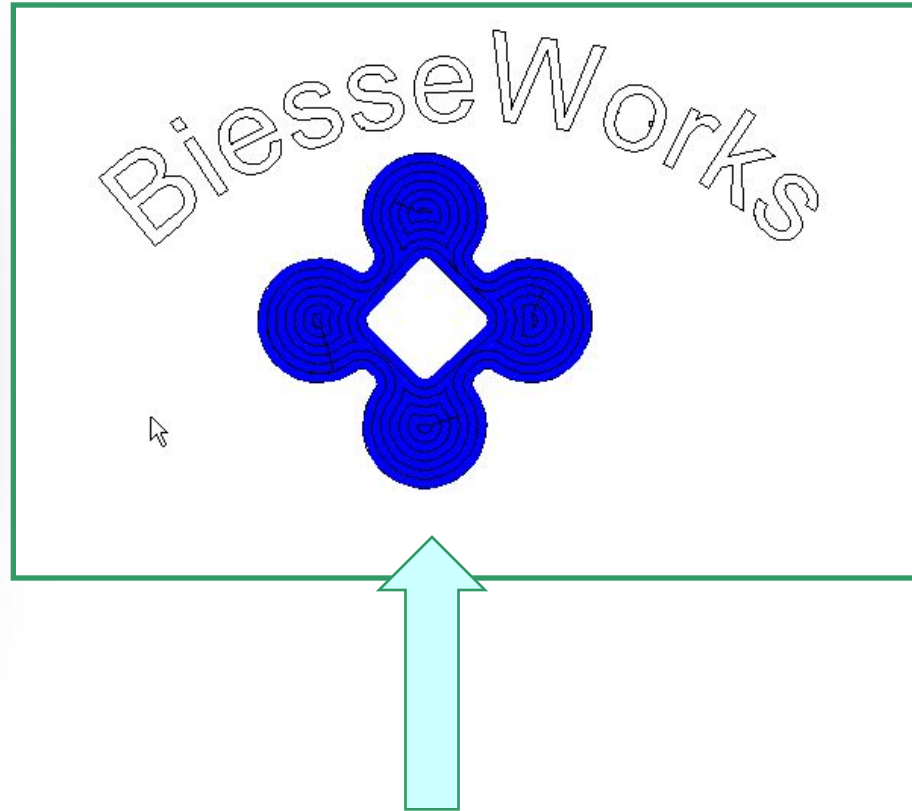
To run a 3D SIMULATION demo click here or launch the file "3D simulation.wmv" in the \3D Simulation directory



Pocketing and text engraving

- Automatic calculation of the tool routes necessary for the performance of automatic pocketing operations of any geometrical shape with a single tool
- Possibility of leaving islands in relief at different depths
- Pocketing can be performed with concentric or parallel runs or cuts and it is possible to provide an edge-finishing pass
- Bidimensional engraving of text using Windows True Type Fonts
- Possibility of tilting the text or positioning it on a circumference

Pocketing and text engraving

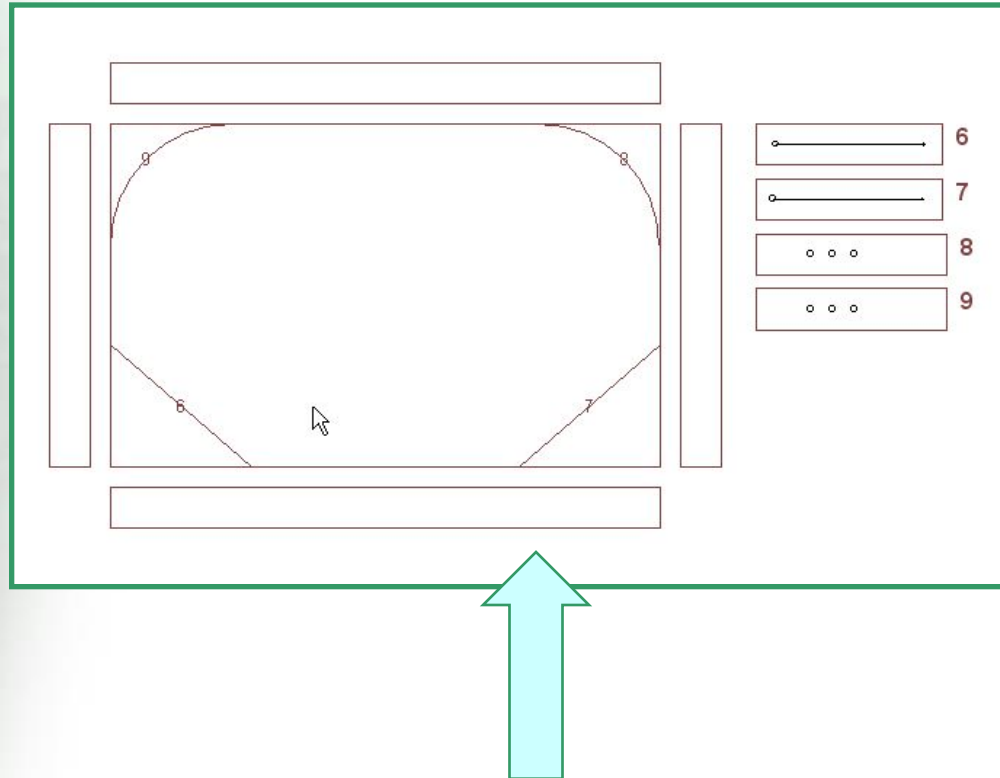


To run a demo click [here](#) or launch the file "Pock+text.wmv" in the \Pocketing+text directory

Sides defined by the operator

- Creation of linear and circular sides defined by the operator in addition to the 6 standard panel sides
- The linear and circular sides defined by the operator are considered by BiesseWorks as new sides in every respect and are displayed next to the panel
- On the new sides it is therefore possible to define the workings in an extremely simple way, by using local reference points and making the software perform all the necessary calculations
- Programming sides defined by the operator is therefore absolutely similar to programming the standard panel sides

Sides defined by the operator



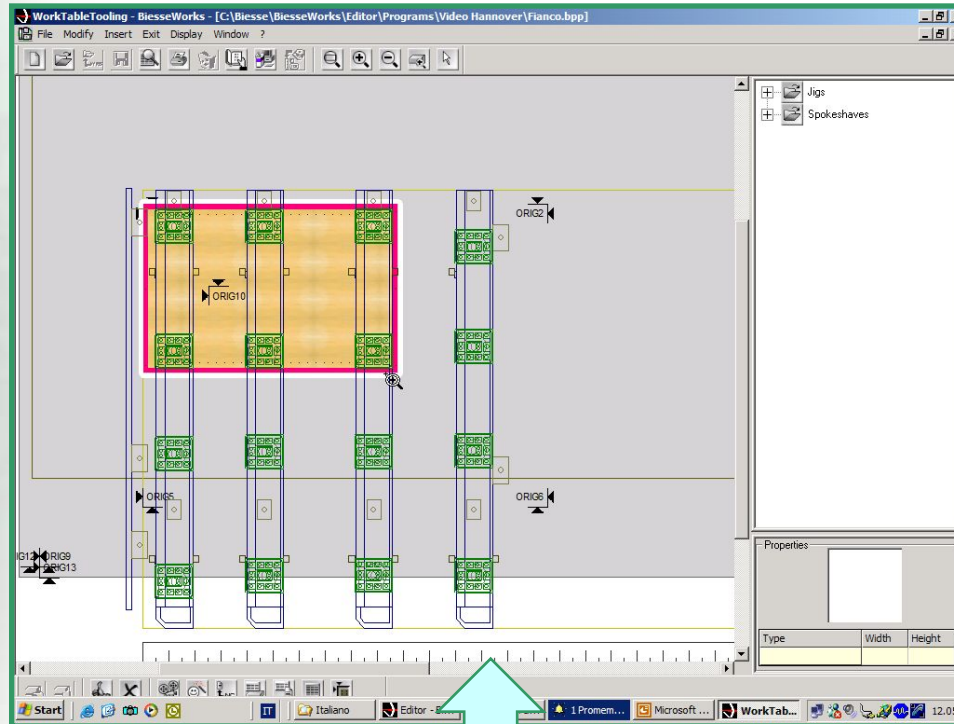
To run a demo click [here](#) or launch the file "Sides.wmv" in the \Custom sides directory

7

Parametric Work Table Tooling

- Creation of parametric rules for the positioning of locking devices, so that the positioning measures are automatically re-calculated for different panel dimensions or other parameters
- By changing the parameters the programs automatically adjust both the workings and the positioning of the elements on the work area

Parametric Work Table Tooling



To run a demo click here or launch the file "Parametric WTT.wmv" in the \Parametric Table Tooling directory

9

Chip deflector



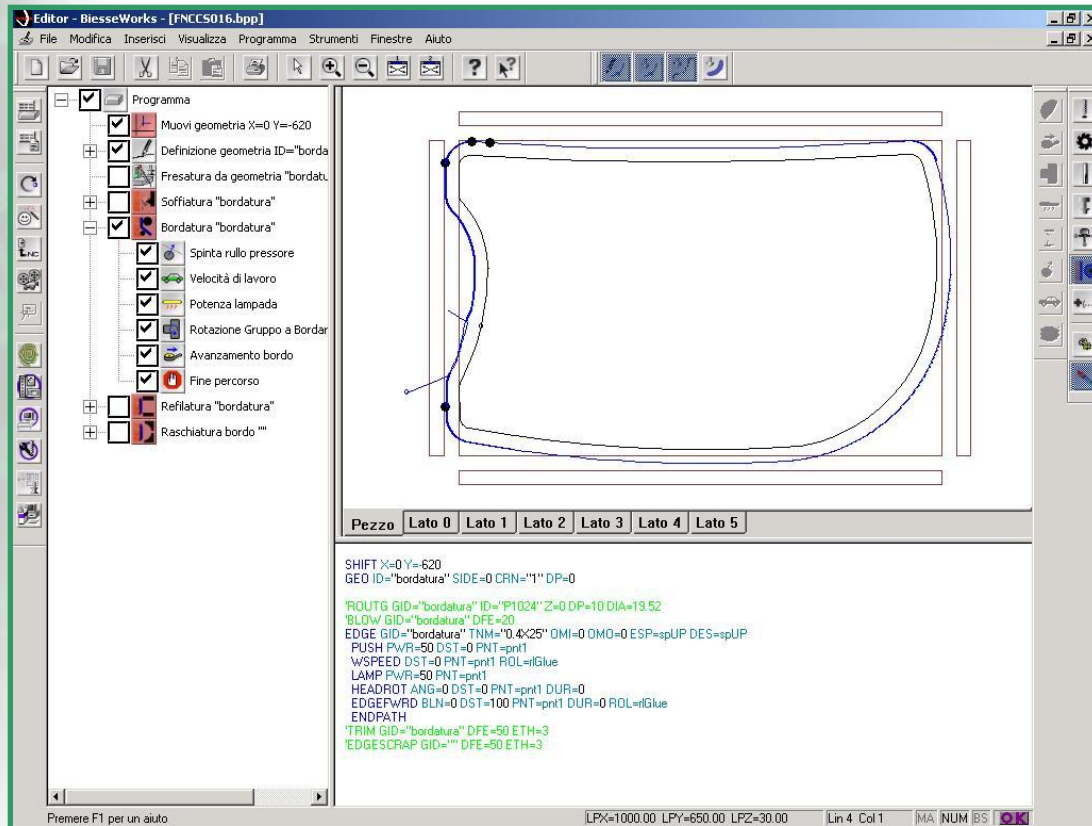
Chip deflector programming

10

Edge banding

- Easy and friendly programming for the edge banding and finishing process
- Tools for the modification of process parameters on every point of the profile (speed, pressure, etc), used for machining particular materials or profiles
- Machining simulation and collision dynamic control to grant a safe work table set up

Edge banding



Features that are available only in the Advanced version

- 3D simulation
- Pocketing without any shape restriction
- Text engraving using True Type fonts
- Easy programming of rotated faces
- Parametric work table programming
- Chip deflector programming
- Edge banding programming