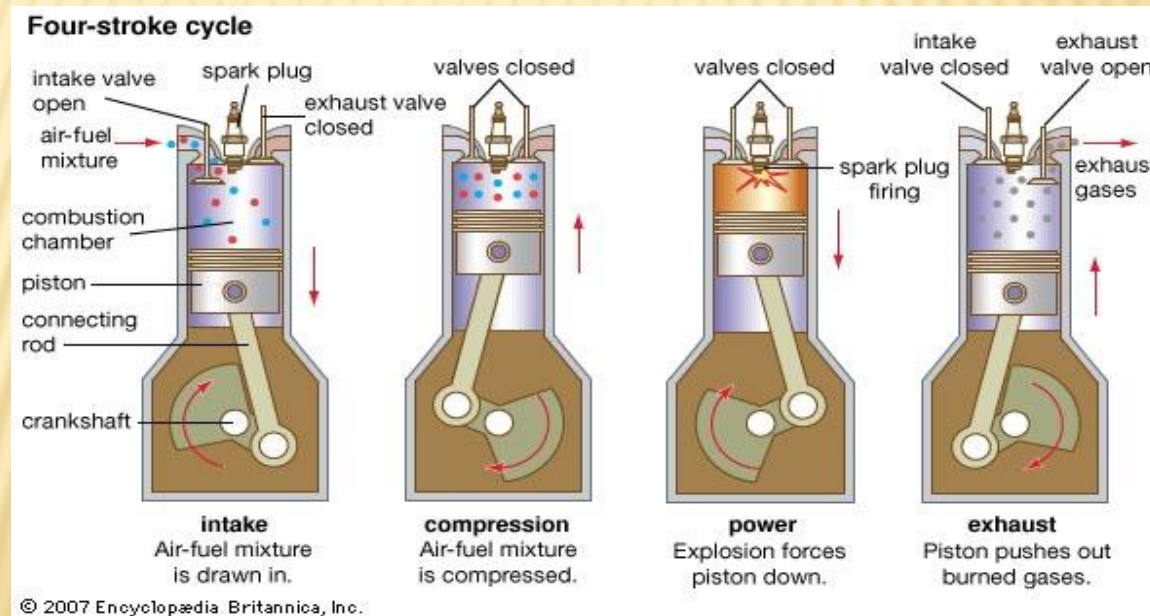


INTERNAL COMBUSTION ENGINE

Komarov A.A.

Four stroke configuration Operation

1. Intake
2. Compression
3. Power
4. Exhaust



Parts

An illustration of several key components in a typical four-stroke engine.

Crankshaft (purple).

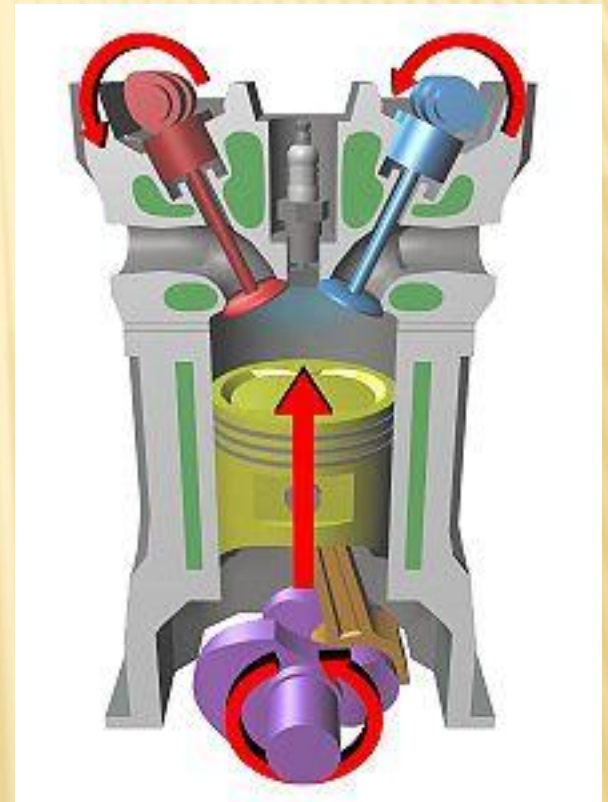
Connecting rod (orange).

One or more camshafts (red and blue) and valves.

One or more cylinders (grey and green).

Spark plug (darker-grey).

Piston (yellow).

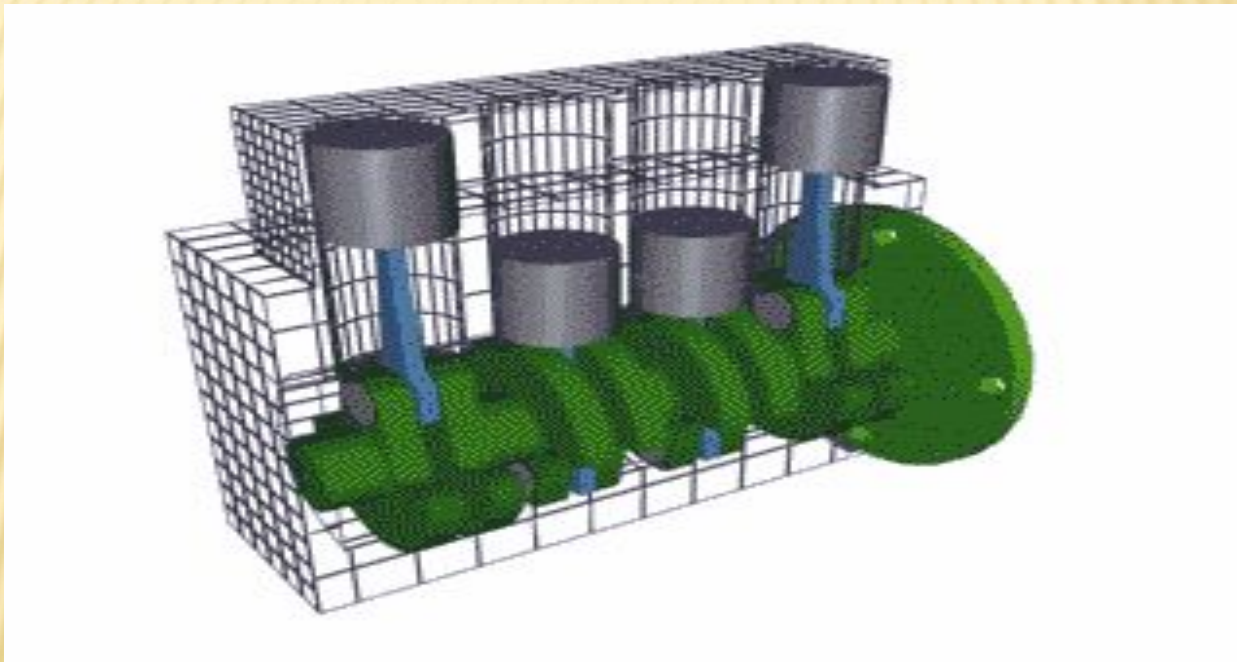


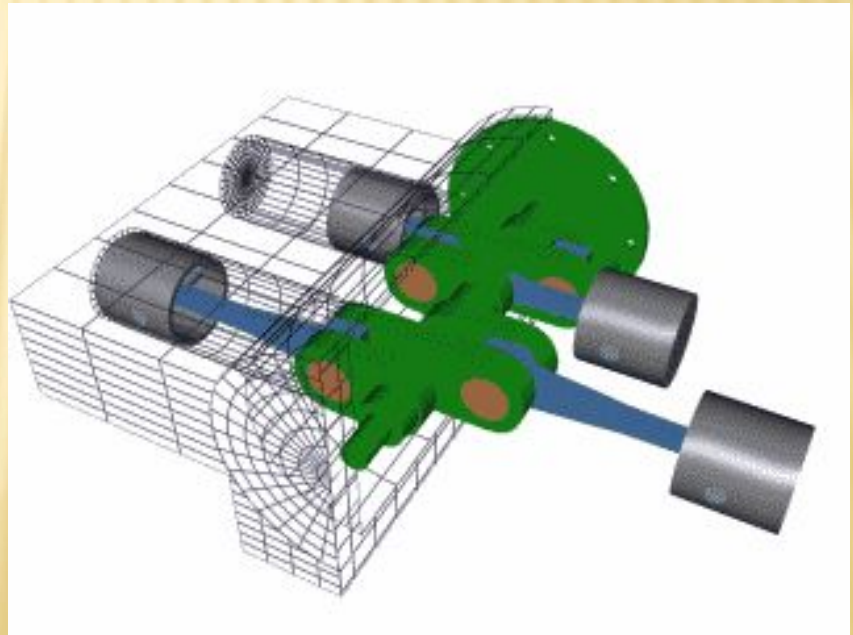
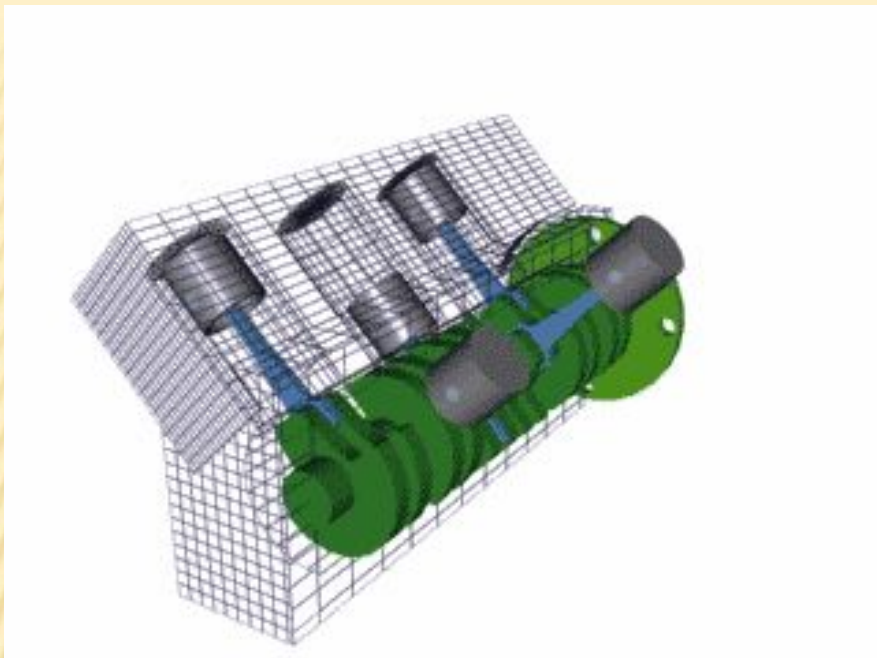
Types of engine:

Inline

V

Flat (also known as horizontally opposed or boxer).





Thank you for your attention!