


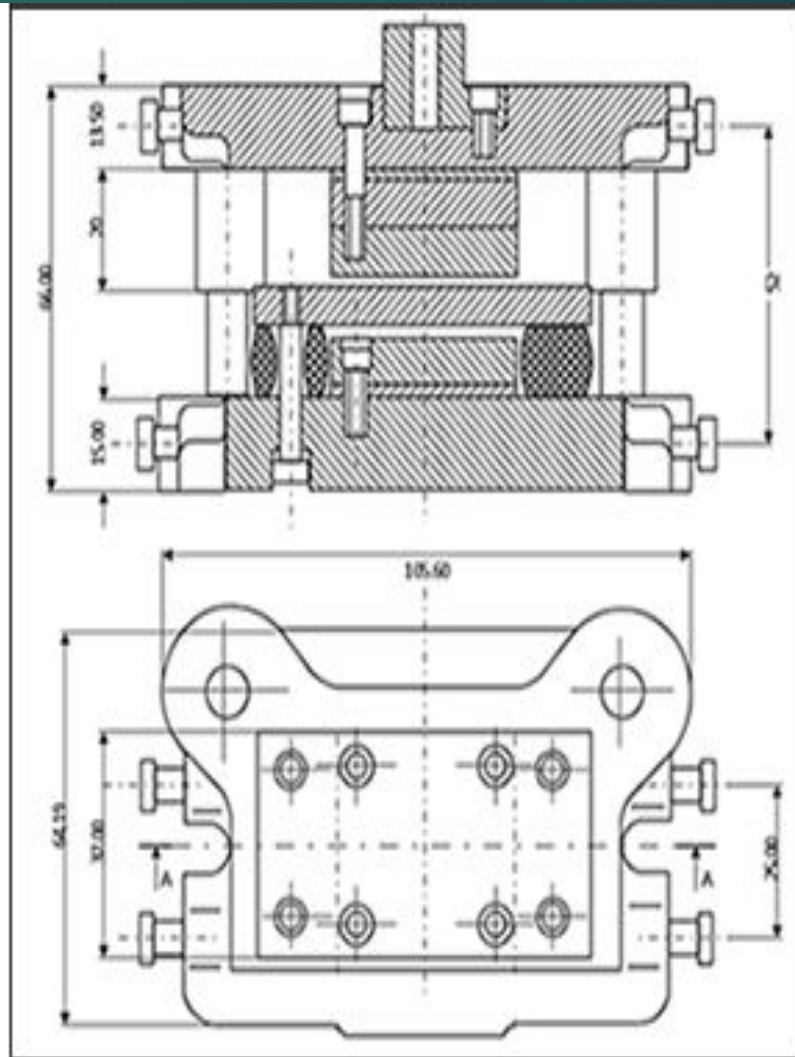


Drafting software PC scheme

Дайындаған: ҚТӘ-202 студенті,
Мирасова Армангүл



- 
- ▶ Affordable and easy-to-use drafting software from CAD Pro saves time & money. The days of hand drafting for detailed drawings or blueprints are all but over. Companies and universities no longer require the use of protractors, compasses or any other drafting tools to create blueprints; instead, they focus on the use of computer-aided drafting software or CAD software.
 - ▶ CAD Pro offers an intuitive interface and easy access drafting tools without the expense of other CAD programs. Increase efficiency and ensure success with thousands of ready-made symbols, auto-precision alignment features, associative dimension tools, easy access tolerance options and much more.
 - ▶ Share your designs with contractors, clients, patent office or team members using Dropbox®, Google Drive™, OneDrive®, and SharePoint®. Export them to Microsoft Word®, Excel®, PDF, or PowerPoint® with a single click.



Drafting Software for All Types of Industries

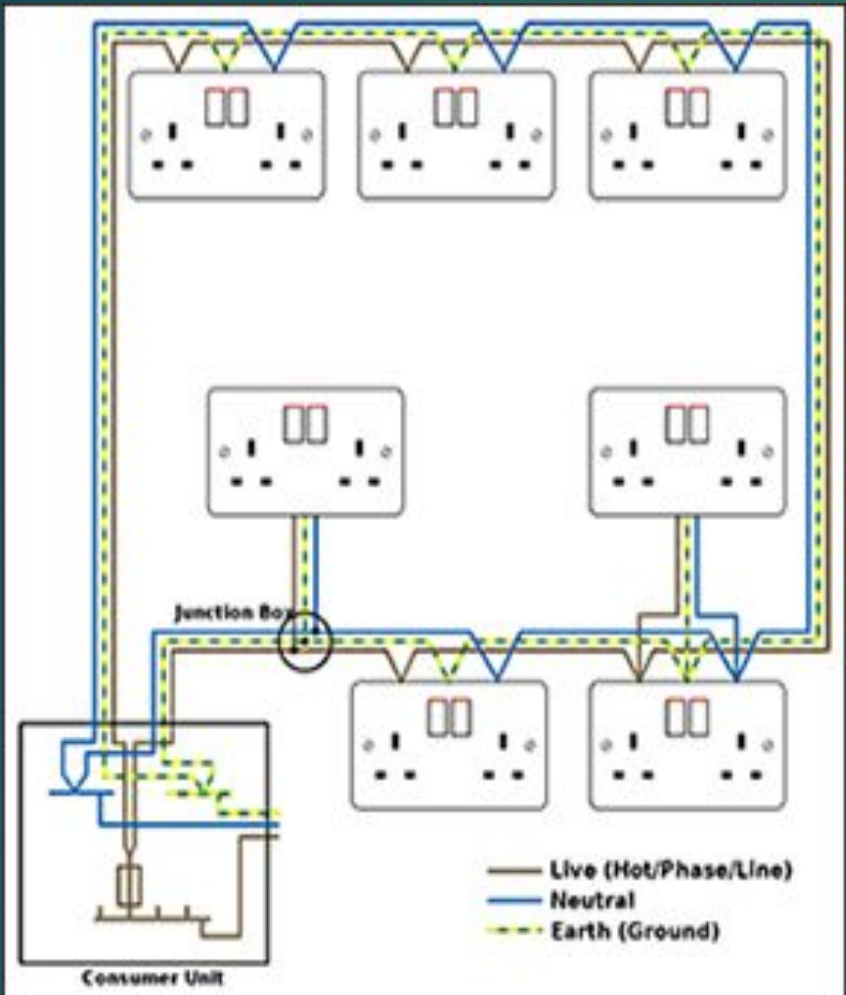
- ▶ Computer-aided drafting software from CAD Pro uses conventional drafting techniques for all types of industries. Many different types of industries use CAD Pro to translate the ideas, sketches, and specifications of an engineer, architect or designer into working blueprints.
- ▶ Drafting fields, among others include, mechanical drafting, piping drafting, architectural and construction drafting, civil drafting, interior design, illustration and design detailing.

Computer-Aided Drafting Software with Interactive Features

- ▶ Communicate your design ideas more effectively. CAD Pro is the only software that allows you to add these interactive web features.
- ▶ Record your ideas and incorporate voice instructions into your designs.
- ▶ Add pop-up text memos to your drawings to support areas in detail.
- ▶ Add pop-up photos and transform ideas into designs you can visualize.

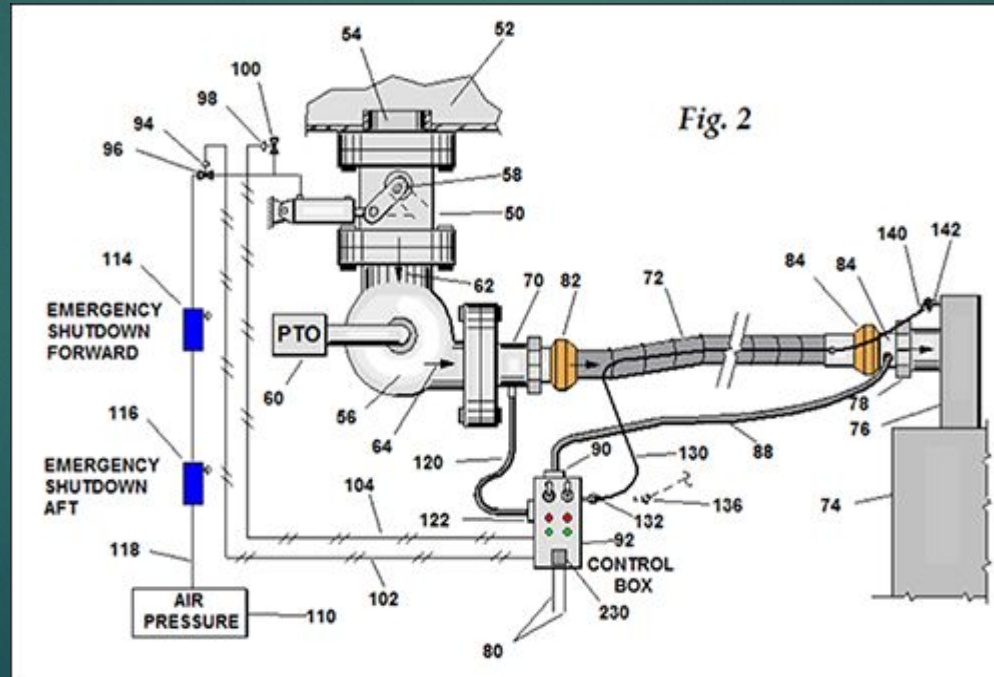
Sketch Tracing

- ▶ Sketch your designs on a piece of paper, and then scan it. Now open your scanned sketch in CAD Pro and it becomes a traceable template that you can easily modify.
- ▶ Drafting Software
- ▶ Electrical Drafting and Civil Drafting



Patent Drawings with CAD Pro's Drafting Software

- ▶ Cad Pro is great for any type of patent designs. Quickly create your patent designs with Cad Pro so you may present your invention for review by your patent attorney or patent office.



Computer-Aided Drafting Software

- ▶ Add immediate value to your designs with CAD Pro. All your designs and plans may include several views and a materials list. Quickly design and improve your computer drafted drawings, drafting designs and industrial ideas.
- ▶ Save your CAD Pro documents as a PDF file, this will allow you to quickly communicate your design ideas with colleagues, contractors and friends!

**THANK YOU FOR YOUR
ATTENTION**