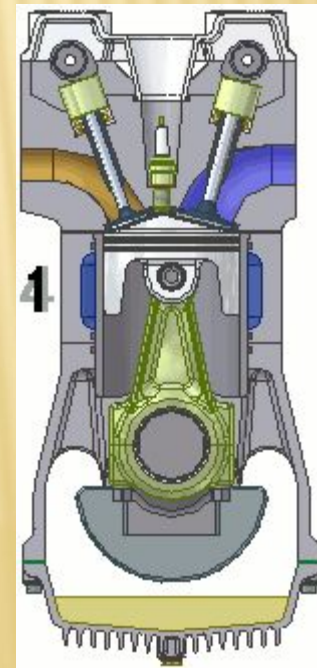


INTERNAL COMBUSTION ENGINE

Komarov A.A.

The **internal combustion engine** is an engine in which the combustion of a fuel occurs with an oxidizer (usually air) in a combustion chamber. In an internal combustion engine the expansion of the high temperature and pressure gases, which are produced by the combustion, directly applies force to a movable component of the engine, such as the pistons or turbine blades and by moving it over a distance, generate useful mechanical energy.

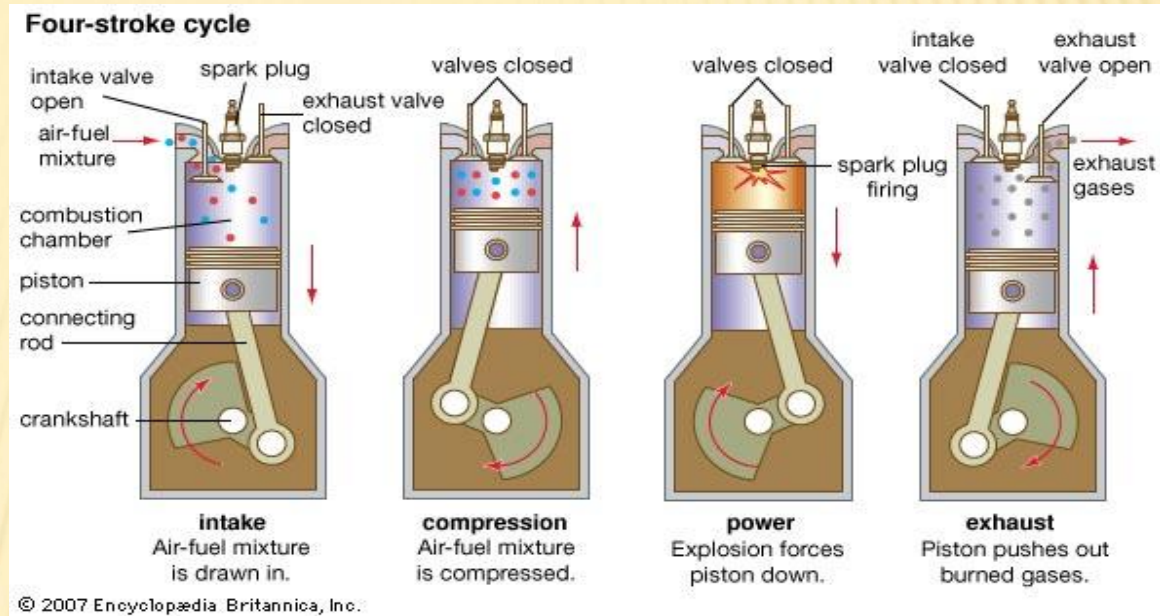
The term internal combustion engine usually refers to an engine in which combustion is intermittent, such as the more familiar four-stroke and two-stroke piston engines.



Four stroke configuration Operation

Four-stroke cycle

1. Intake
2. Compression
3. Power
4. Exhaust



1. The piston starts at the top, the intake valve opens, and the piston moves down to let the engine take in a cylinder-full of air and gasoline. This is the **intake stroke**. Only the tiniest drop of gasoline needs to be mixed into the air for this to work. (Part 1 of the figure)

2. Then the piston moves back up to compress this fuel/air mixture. **Compression** makes the explosion more powerful. (Part 2 of the figure)

3. When the piston reaches the top of its stroke, the spark plug emits a spark to ignite the gasoline. The gasoline charge in the cylinder **explodes**, driving the piston down. (Part 3 of the figure)

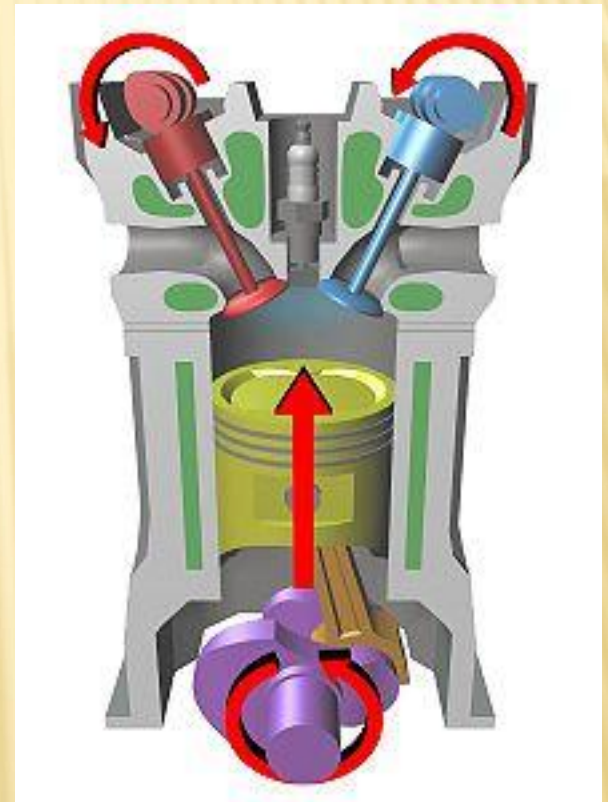
4. Once the piston hits the bottom of its stroke, the exhaust valve opens and the **exhaust** leaves the cylinder to go out the tailpipe. (Part 4 of the figure)

Now the engine is ready for the next cycle, so it intakes another charge of air and gas.

Parts

An illustration of several key components in a typical four-stroke engine.

For a four-stroke engine, key parts of the engine include the crankshaft (purple), connecting rod (orange), one or more camshafts (red and blue), and valves. For a two-stroke engine, there may simply be an exhaust outlet and fuel inlet instead of a valve system. In both types of engines there are one or more cylinders (grey and green), and for each cylinder there is a spark plug (darker-grey, gasoline engines only), a piston (yellow). A single sweep of the cylinder by the piston in an upward or downward motion is known as a stroke. The downward stroke that occurs directly after the air-fuel mix passes from the carburetor or fuel injector to the cylinder (where it is ignited) is also known as a power stroke.

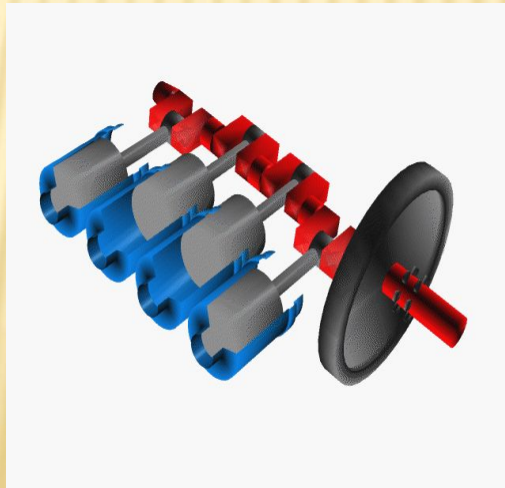


Piston

A piston is a component of piston engines. It is located in a cylinder and is made gas-tight by piston rings. Its purpose is to transfer force from expanding gas in the cylinder to the crankshaft through a piston rod and/or connecting rod. In two-stroke engines the piston also acts as a valve by covering and uncovering ports in the cylinder wall.

Crankshaft

A crankshaft for a 4 cylinder engine
Most internal combustion engines end up turning a shaft. This means that the linear motion of a piston must be converted into rotation. This is typically achieved by a crankshaft.



Flywheels

The flywheel is a disk or wheel attached to the crank, forming an inertial mass that stores rotational energy. In engines with only a single cylinder the flywheel is essential to carry energy over from the power stroke into a subsequent compression stroke. Flywheels are present in most reciprocating engines to smooth out the power delivery over each rotation of the crank and in most automotive engines also mount a gear ring for a starter.

Spark plug

The spark plug supplies the spark that ignites the air/fuel mixture so that combustion can occur. The spark must happen at just the right moment for things to work properly.

Piston rings

Piston rings provide a sliding seal between the outer edge of the piston and the inner edge of the cylinder. The rings serve two purposes:

- They prevent the fuel/air mixture and exhaust in the combustion chamber from leaking into the sump during compression and combustion.
- They keep oil in the sump from leaking into the combustion area, where it would be burned and lost.

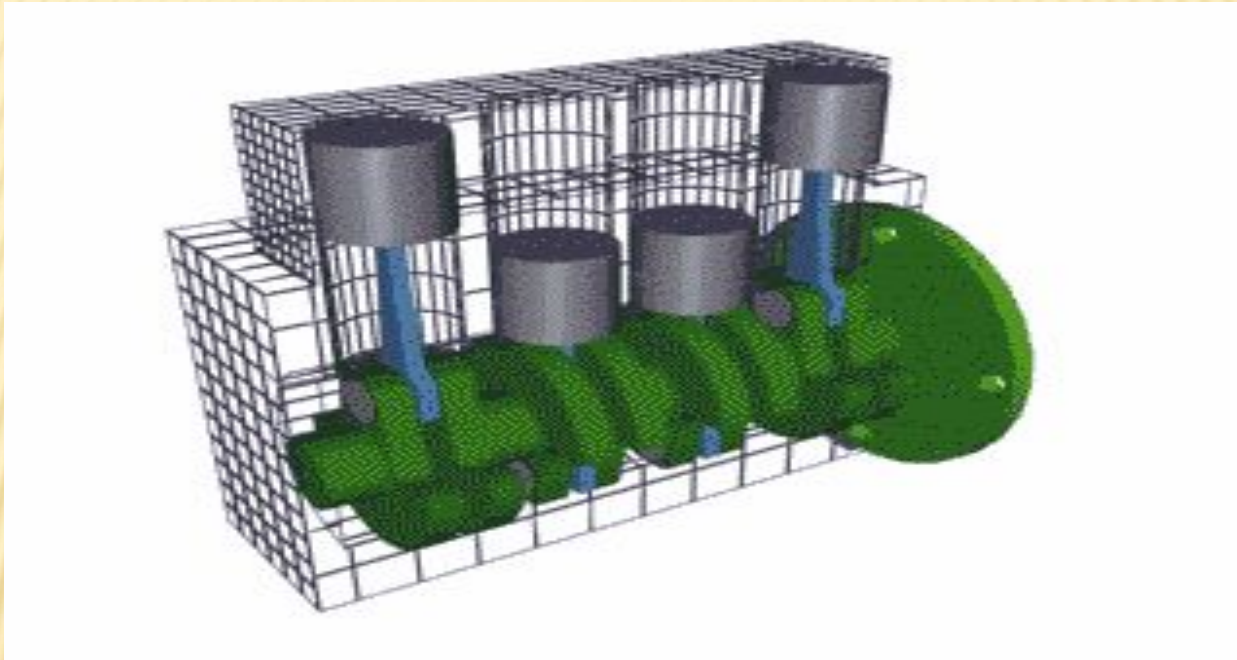
Connecting rod

The connecting rod connects the piston to the crankshaft. It can rotate at both ends so that its angle can change as the piston moves and the crankshaft rotates.

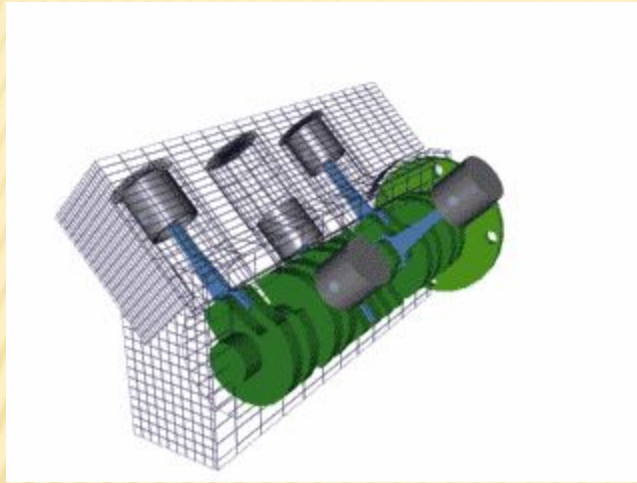
Sump

The sump surrounds the crankshaft. It contains some amount of oil, which collects in the bottom of the sump (the oil pan).

In a multi-cylinder engine, the cylinders usually are arranged in one of three ways: inline, V or flat (also known as horizontally opposed or boxer), as shown in the following figures.

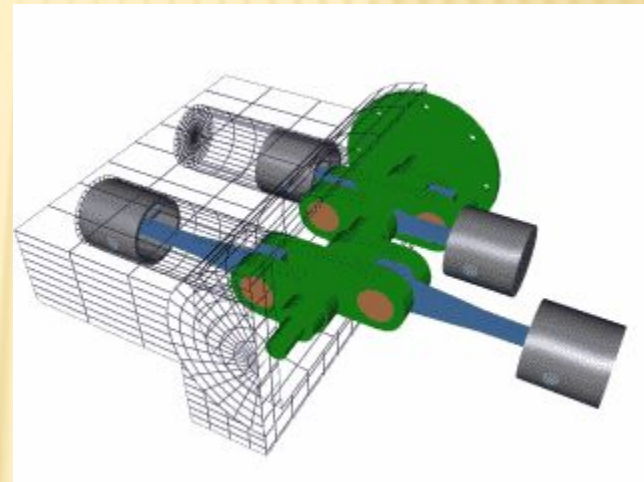


Inline - The cylinders are arranged in a line in a single bank.



V - The cylinders are arranged in two banks set at an angle to one another.

Flat - The cylinders are arranged in two banks on opposite sides of the engine.



Different configurations have different advantages and disadvantages in terms of smoothness, manufacturing cost and shape characteristics. These advantages and disadvantages make them more suitable for certain vehicles.

Thank you for your attention!