

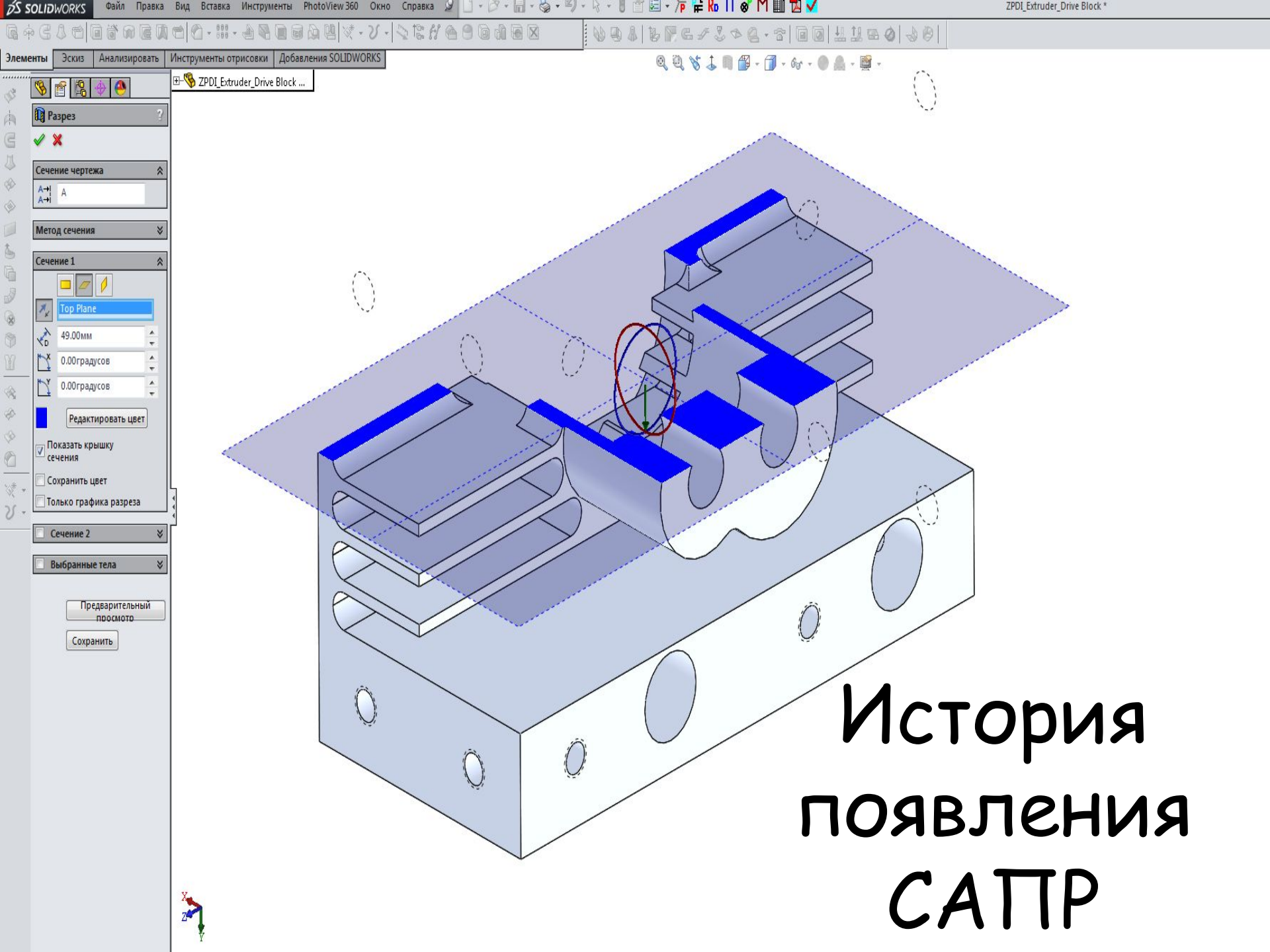


Современные САТТР в России

Ахмедов
Баходур
Студент группы У-162

ВГУИТ
2017





Элементы Эскиз Анализировать Инструменты отрисовки Добавления SOLIDWORKS

ZPDI_Extruder_Drive Block ...

Разрез

Сечение чертежа

Метод сечения

Сечение 1

Top Plane

49.00мм

0.00градусов

0.00градусов

Редактировать цвет

Показать крышку сечения

Сохранить цвет

Только графика разреза

Сечение 2

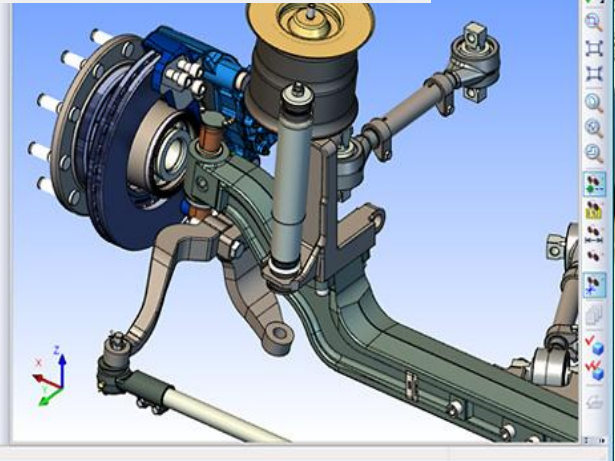
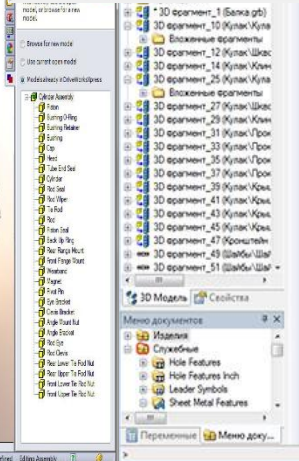
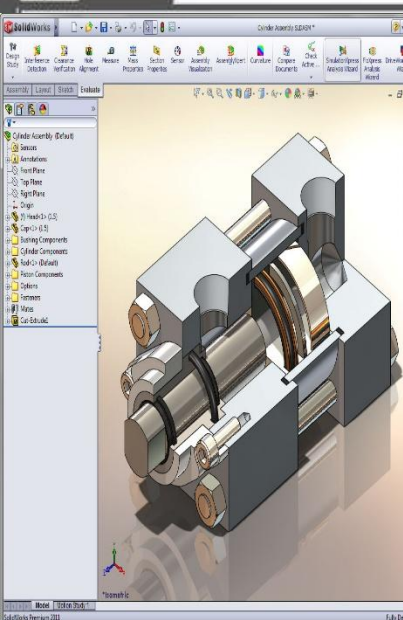
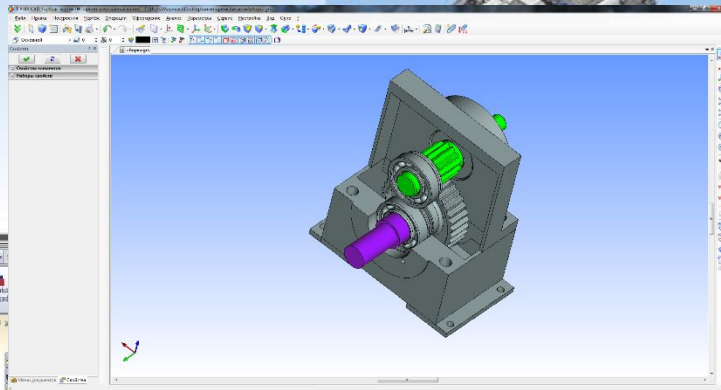
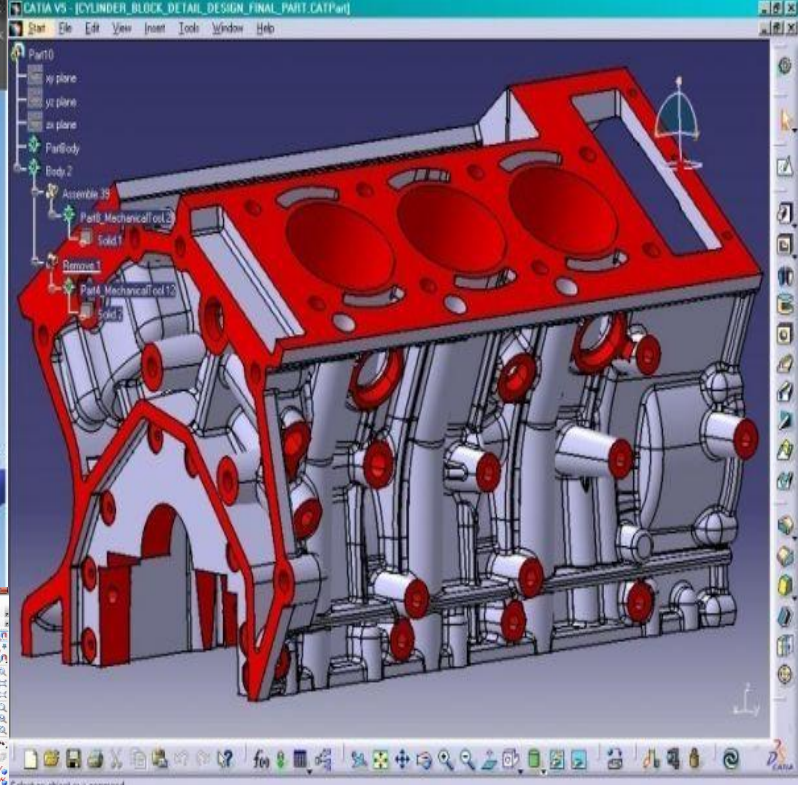
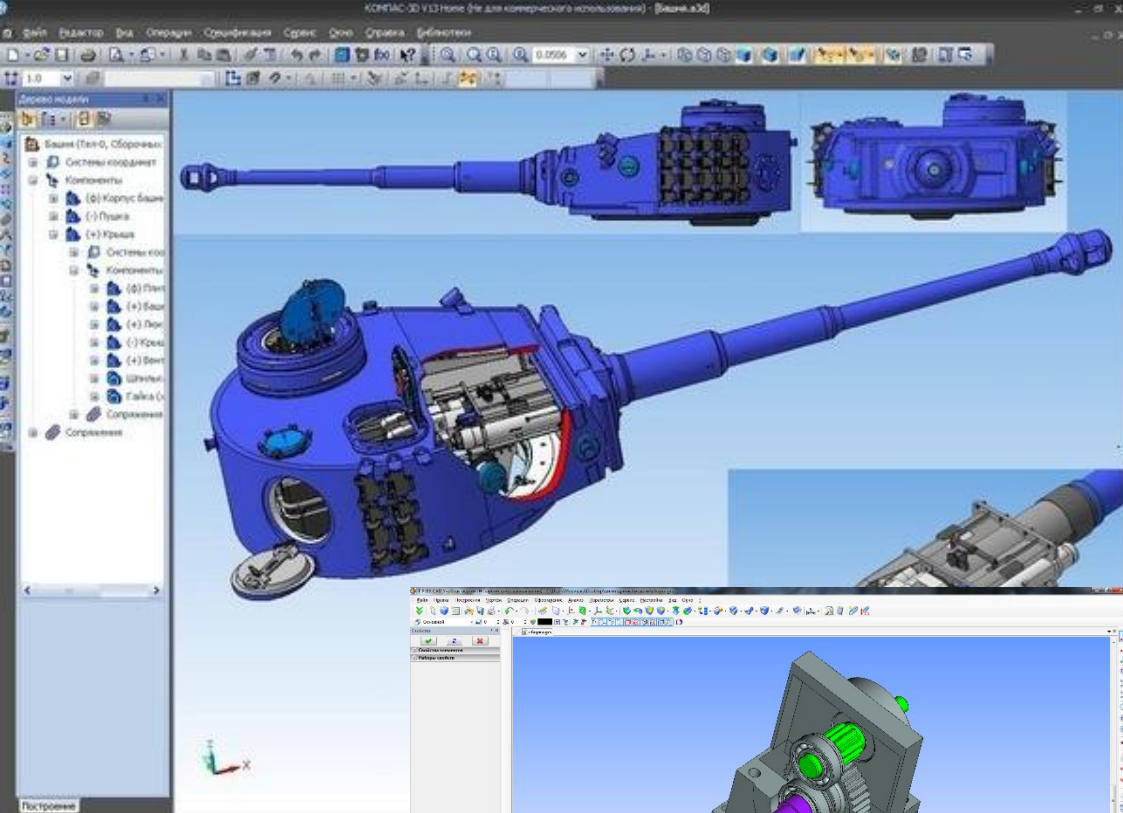
Выбранные тела

Предварительный просмотр

Сохранить

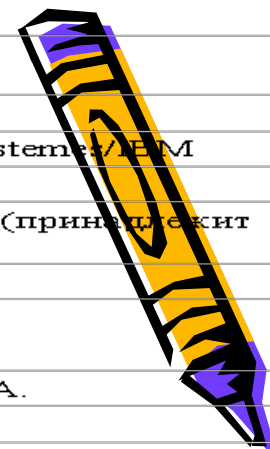
История
появления
САПР

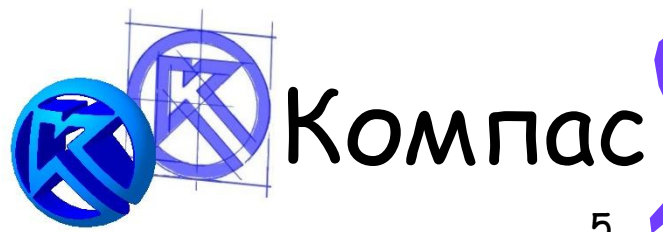
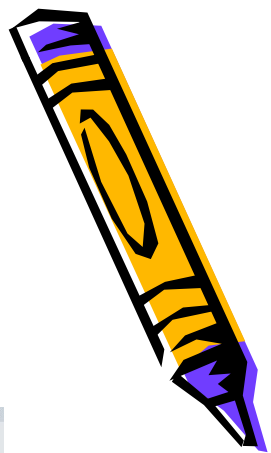
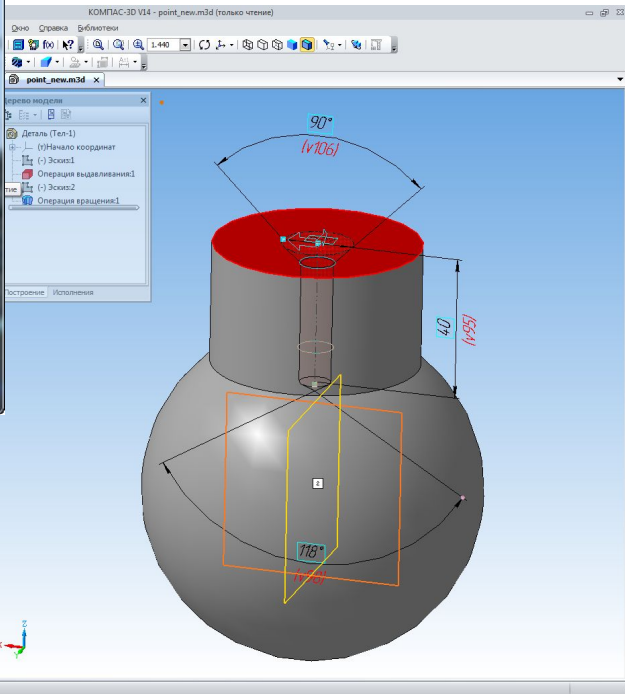
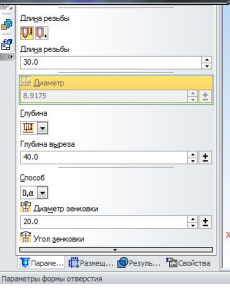
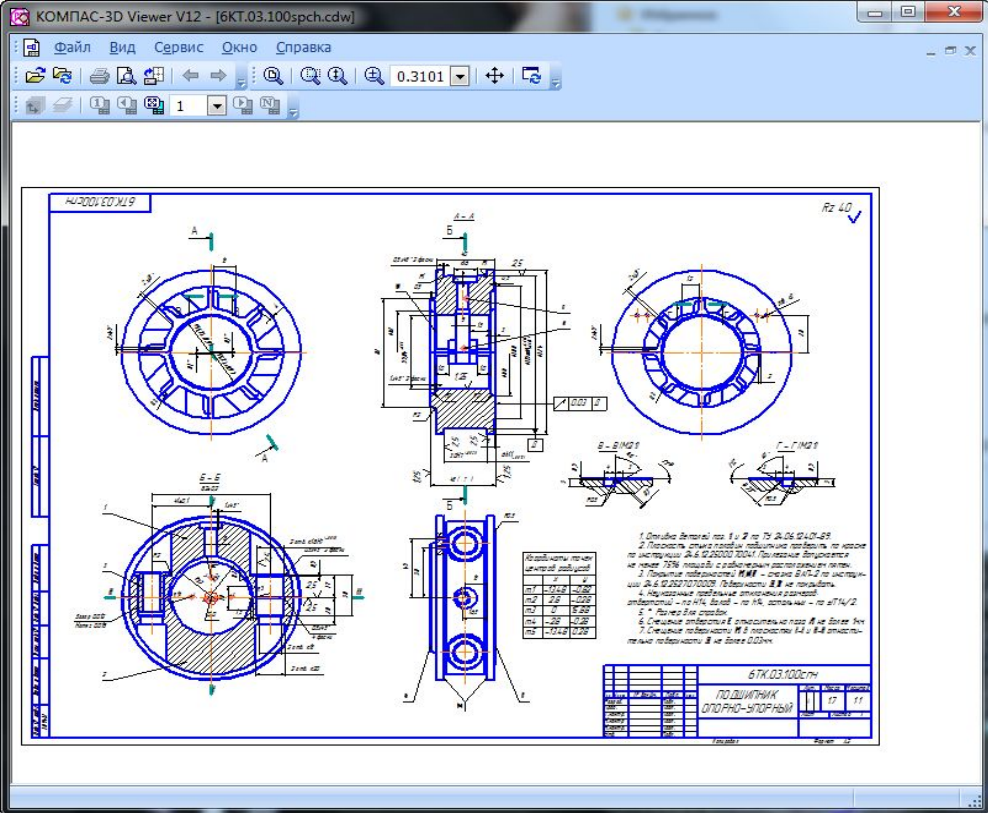


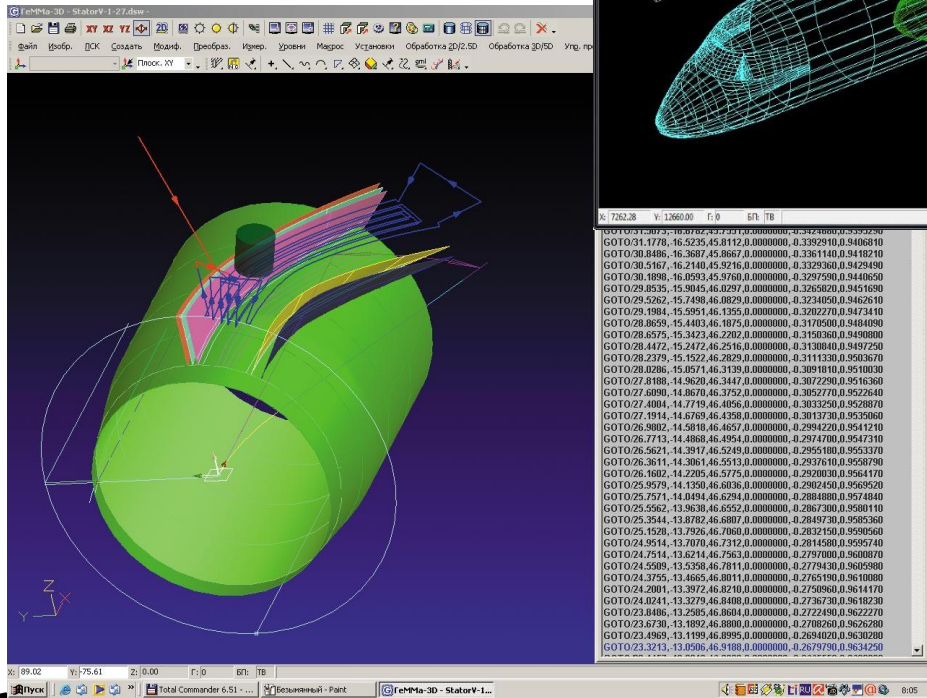
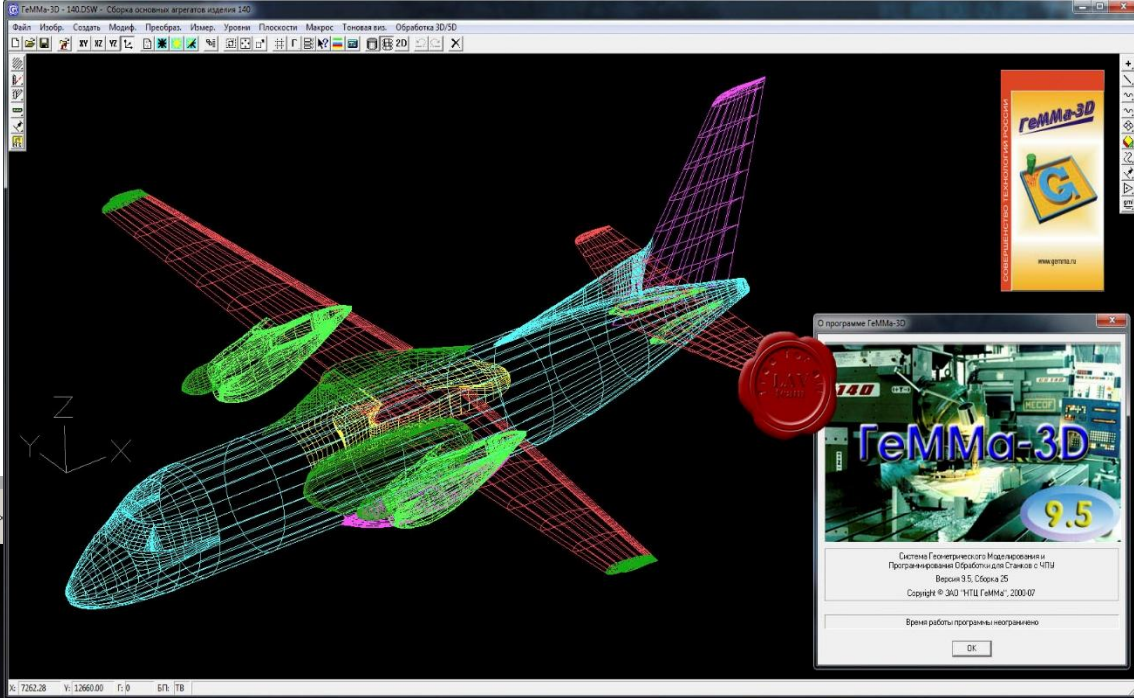


3 вида САПР

Класс	Продукты	Компания
Зарубежные системы		
<i>Тяжелые:</i>	Uni graphics NX	EDS
	CATIA	Dassault Systemes/IBM
	Pro/Engineer	PTC
<i>Средние:</i>	SolidWorks	SolidWorks (принадлежит Dassault)
	SolidEdge	EDS
	Inventor и Mechanical Desktop	Autodesk
	Cimatron	Cimatron
	think3	Think3 S.p.A.
	Cadkey	Cadkey
	Power Solutions	Delcam
<i>Легкие:</i>	AutoCAD	Autodesk
	MicroStation	Bentley Systems
	SurfCAM 2D	Surfware
	DataCAD	DataCAD
	IntelliCAD	CADopia
	TurboCAD	IMSI
	Отечественные продукты	
	КОМПАС (CAD/CAM/PDM)	Аскон
	T-Flex (CAD/CAM/CAE/PDM)	«Топ Системы»
	ADEM (CAD/CAM/PDM)	Omega Adem Technologies
	Sprut (CAD/CAM/CAE)	«СПРУТ-Технология»
	APM WinMachine (CAD/CAE)	НТЦ АПИМ
	PartY Plus (PDM)	«Люция Софт»
	КРЕДО (CAD/CAM/CAE)	НИЦ АСК
	Интермех (CAD/CAM/PDM)	«Интермех»
	NormCAD (расчеты и подготовка документации)	«Сапротон»
	ГеММа-3D (CAD/CAM)	НТЦ ГеММа
Специализированные ЦР		
	MSC .visualNastran	MSC .Software
	Ansys	Ansys
	AutoPlant	Rebis (принадлежит фирме Bentley)
	«Астра-Нова»	НИЦ «СтудиО» 4
	CADWorkx	COADE
	Revit	Autodesk



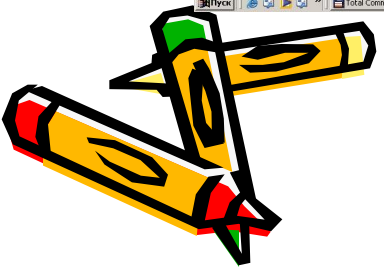




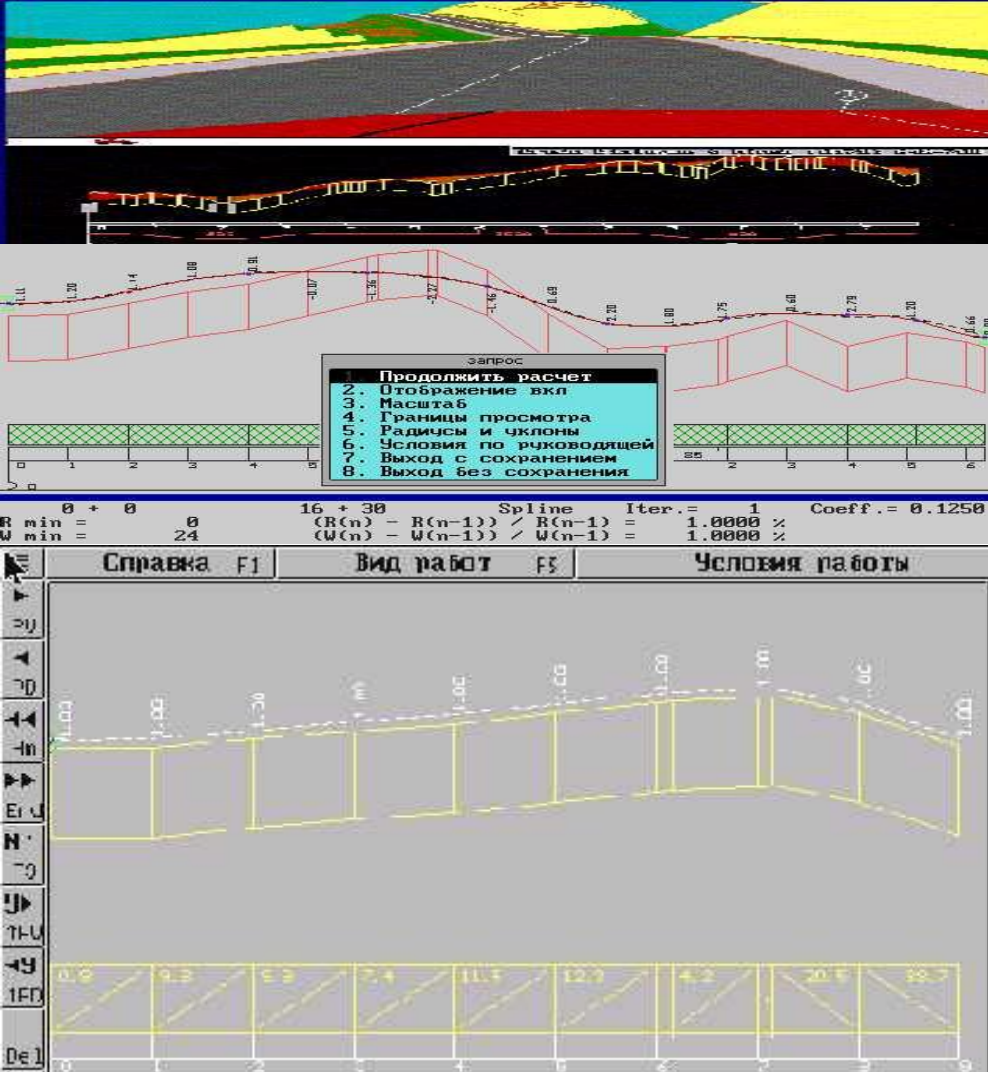
```

G01/01.01074,-16.0262,47.4213,0.0000000,0.34240000,0.5332280
G01/01.1778,-16.5235,45.8112,0.0000000,0.3392910,0.5406810
G01/01.8486,-16.3687,45.8667,0.0000000,0.3361140,0.5418270
G01/01.5187,-16.2140,45.5216,0.0000000,0.3325360,0.5429490
G01/01.1898,-16.0593,45.3760,0.0000000,0.3297590,0.5440650
G01/01.8535,-15.9045,46.0297,0.0000000,0.3265820,0.5451690
G01/01.5267,-15.7498,46.0829,0.0000000,0.3234050,0.5462610
G01/01.1984,-15.5951,46.1355,0.0000000,0.3202270,0.5473410
G01/01.8659,-15.4403,46.1875,0.0000000,0.3170500,0.5484090
G01/01.5375,-15.3423,46.2202,0.0000000,0.3150360,0.5490900
G01/01.2447,-15.2472,46.2516,0.0000000,0.3130840,0.5497250
G01/01.2379,-15.1522,46.2829,0.0000000,0.3111330,0.5503970
G01/01.2826,-15.0571,46.3139,0.0000000,0.3091810,0.5510030
G01/01.2718,-14.9620,46.3447,0.0000000,0.3072290,0.5516360
G01/01.2709,-14.8670,46.3752,0.0000000,0.3052770,0.5522640
G01/01.2704,-14.7719,46.4056,0.0000000,0.3033250,0.5528870
G01/01.2714,-14.6769,46.4358,0.0000000,0.3013730,0.5535060
G01/01.2690,-14.5818,46.4657,0.0000000,0.2994220,0.5541210
G01/01.2671,-14.4868,46.4954,0.0000000,0.2974700,0.5547310
G01/01.2656,-14.3917,46.5249,0.0000000,0.2955180,0.5553370
G01/01.2636,-14.3061,46.5513,0.0000000,0.2935760,0.5559390
G01/01.2616,-14.2205,46.5775,0.0000000,0.2916240,0.5565410
G01/01.2597,-14.1350,46.6036,0.0000000,0.2896720,0.5571430
G01/01.2577,-14.0494,46.6294,0.0000000,0.2877200,0.5577450
G01/01.2556,-13.9638,46.6552,0.0000000,0.2857680,0.5583470
G01/01.2534,-13.8782,46.6807,0.0000000,0.2838160,0.5589490
G01/01.2512,-13.7926,46.7060,0.0000000,0.2818640,0.5595510
G01/01.2491,-13.7070,46.7312,0.0000000,0.2814580,0.5595740
G01/01.2471,-13.6214,46.7563,0.0000000,0.2797000,0.5600870
G01/01.2450,-13.5358,46.7811,0.0000000,0.2779430,0.5605980
G01/01.2435,-13.4665,46.8011,0.0000000,0.2765190,0.5610880
G01/01.2420,-13.3972,46.8210,0.0000000,0.2750960,0.5614170
G01/01.2404,-13.3279,46.8408,0.0000000,0.2736730,0.5616920
G01/01.2386,-13.2585,46.8604,0.0000000,0.2722490,0.5622270
G01/01.2367,-13.1892,46.8800,0.0000000,0.2708260,0.5626280
G01/01.2349,-13.1199,46.8995,0.0000000,0.2694020,0.5630280
G01/01.2332,-13.0506,46.9188,0.0000000,0.2679780,0.5634250

```

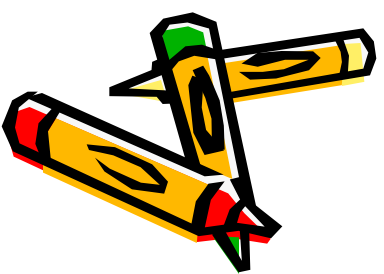


ГЕММА-3D



~~СибАДИ~~

СибАДИ



САД-КРЕДО