



# HEAVY BRIGADE COMBAT TEAM



**BCT OTOE 12 JULY 06**

*Follow*

1

**ICCC – FT Benning,**

*Mel*

*Co*



# AGENDA



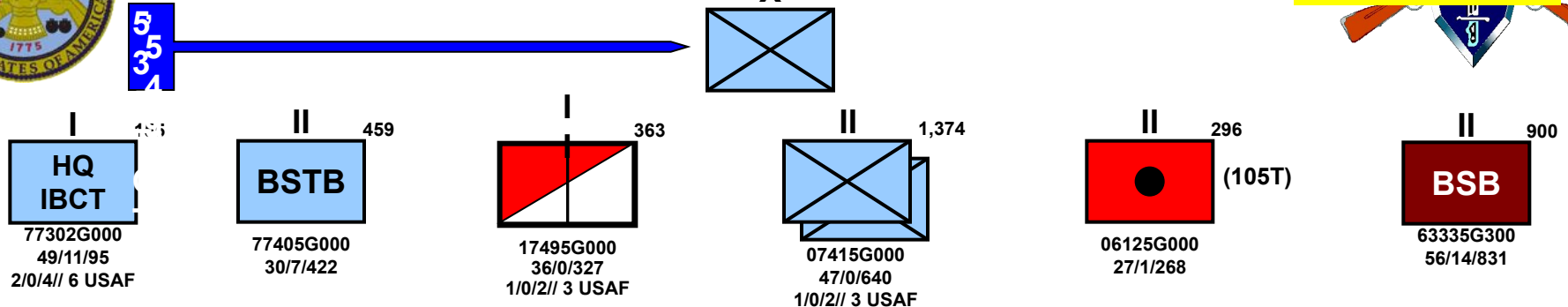
- **Compare with IBCT and SBCT**
- **HBCT Mission**
- **Wire diagrams of each BN**
- **Combined Arms Battalions**
- **Mechanized Infantry Company**
- **Armor Company**
- **M1 Versions**
- **Responsibilities**
- **War Fighting Functions**



# Infantry Brigade Combat Team



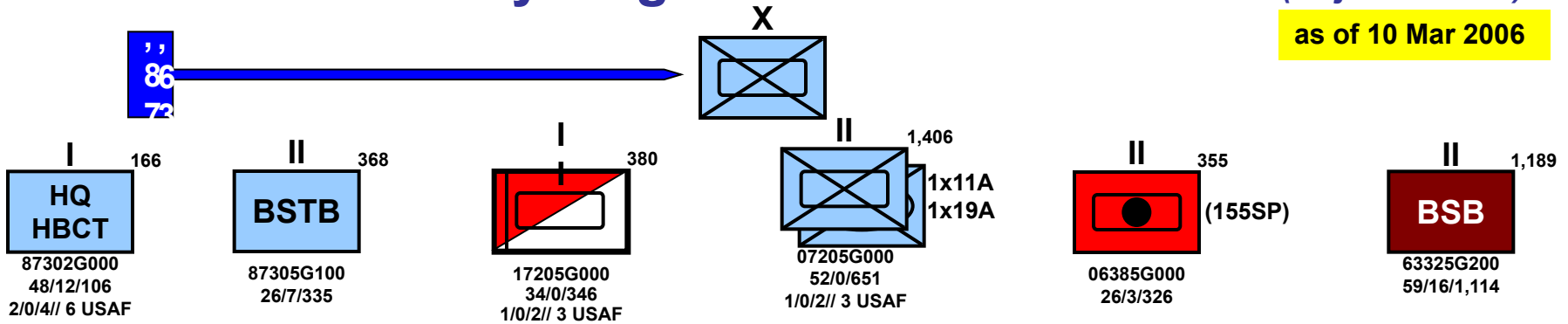
as of 10 Mar 2006



# Heavy Brigade Combat Team

(Objective TOE)

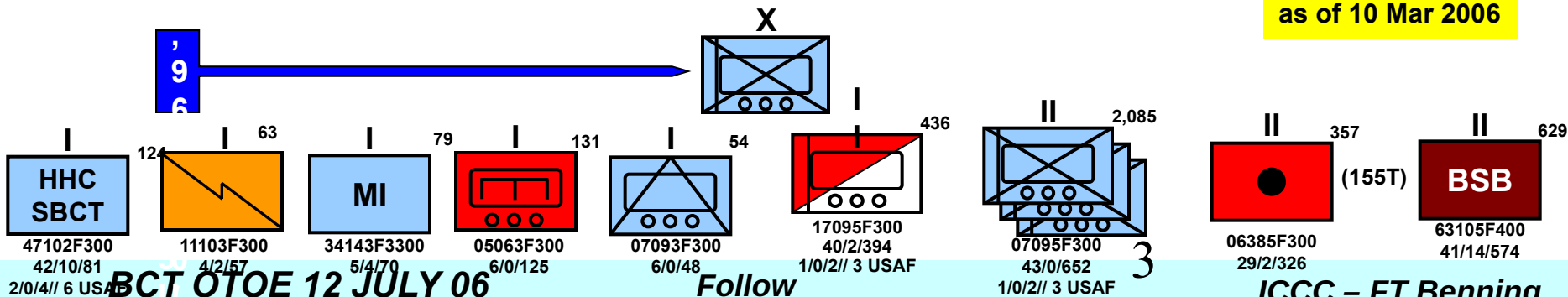
as of 10 Mar 2006



# Stryker Brigade Combat Team

(Objective TOE)

as of 10 Mar 2006



BCT OTOE 12 JULY 06

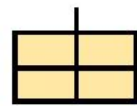
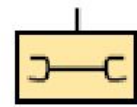
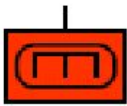
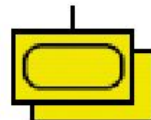
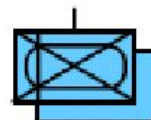
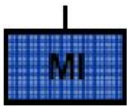
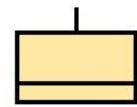
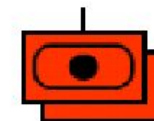
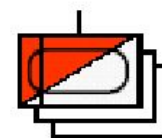
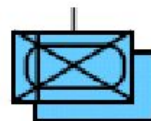
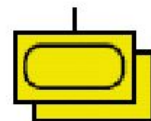
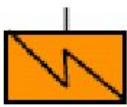
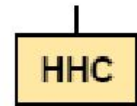
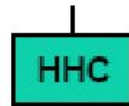
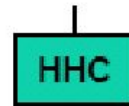
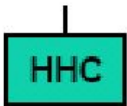
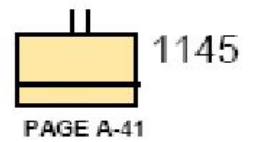
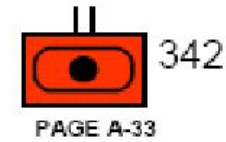
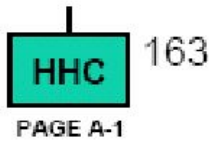
Follow

Mel

ICCC - FT Benning, Ga



# HBCT Organization



**FSKM 71-8, Annex-A (April 2007)**



# HEAVY BCT MISSION



**Mission Statement: To disrupt or destroy enemy military forces, control land areas including populations and resources and be prepared to conduct combat operations to protect US national interests.**

FM 3-90.6



# HBCT Capabilities

- Conducting sustained operations in most environments.
- Accomplishing very rapid movement and deep penetrations.
- Conducting security operations.
- Conducting offensive and defensive operations.
- Maintaining the ability to integrate light or SOF.
- Possessing mobile, protected firepower.
- Providing digital SA down to vehicle-level.
- Performing company-sized air assaults.

**FM 3-90.6 APP A, p A-3**



# HBCT Limitations



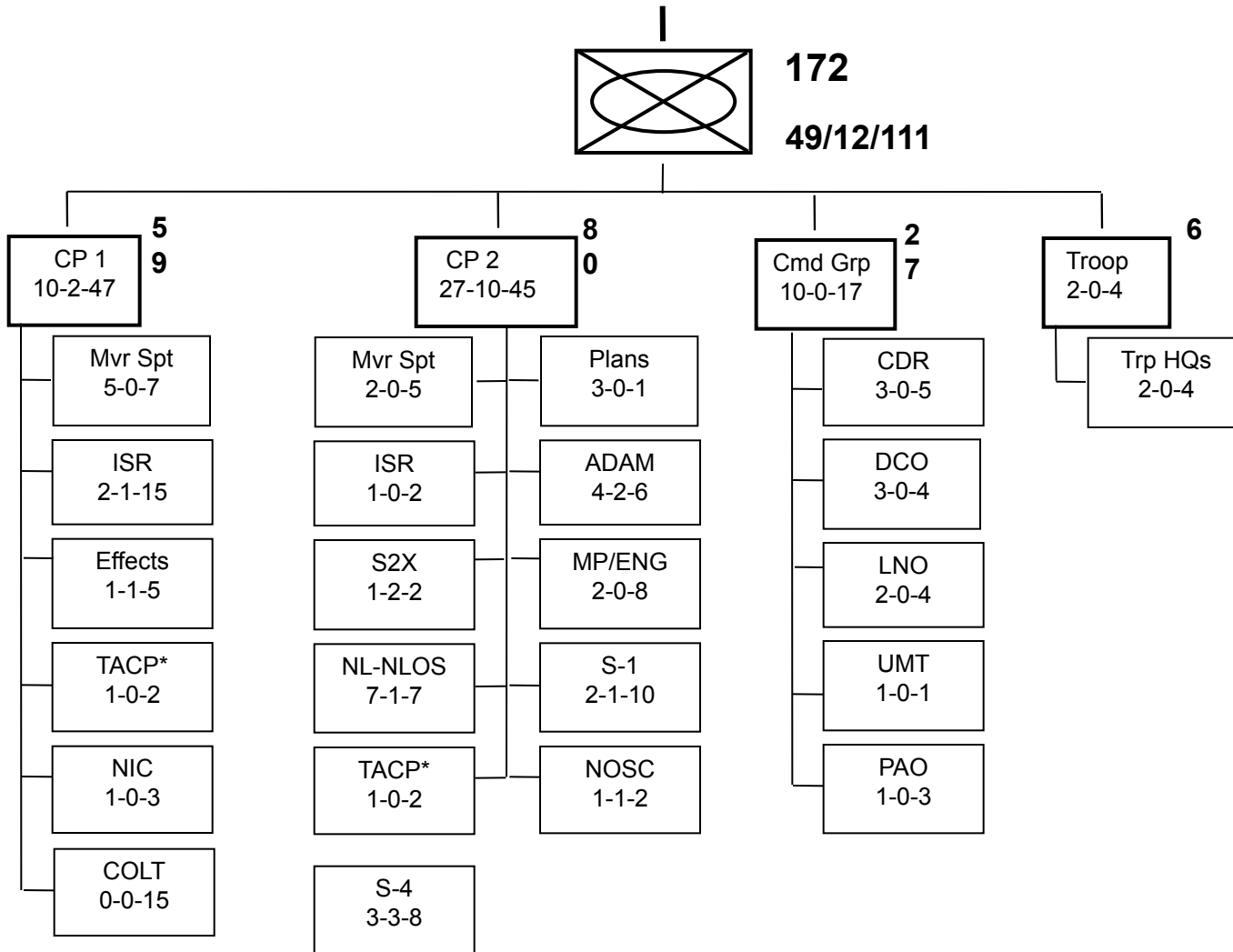
- High dependence on radio communications.
- Restricted mobility in highly mountainous terrain or dense forests.
- High usage rate of consumable supplies, particularly class III, V, and IX. (Do not underestimate its requirements.)
- Vulnerability to mines and antitank weapons.
- Footprint is usually larger than a lighter force.
- Fratricide of light forces is higher due to the inability to determine friend or foe unless mounted.
- HBCT staff does not have an S3 air section to plan and oversee air assault operations.
- Possesses no organic gap crossing capability.

**FM 3-90.6 APP A, p A-4**



# Brigade Headquarters – HBCT

## 87302G000

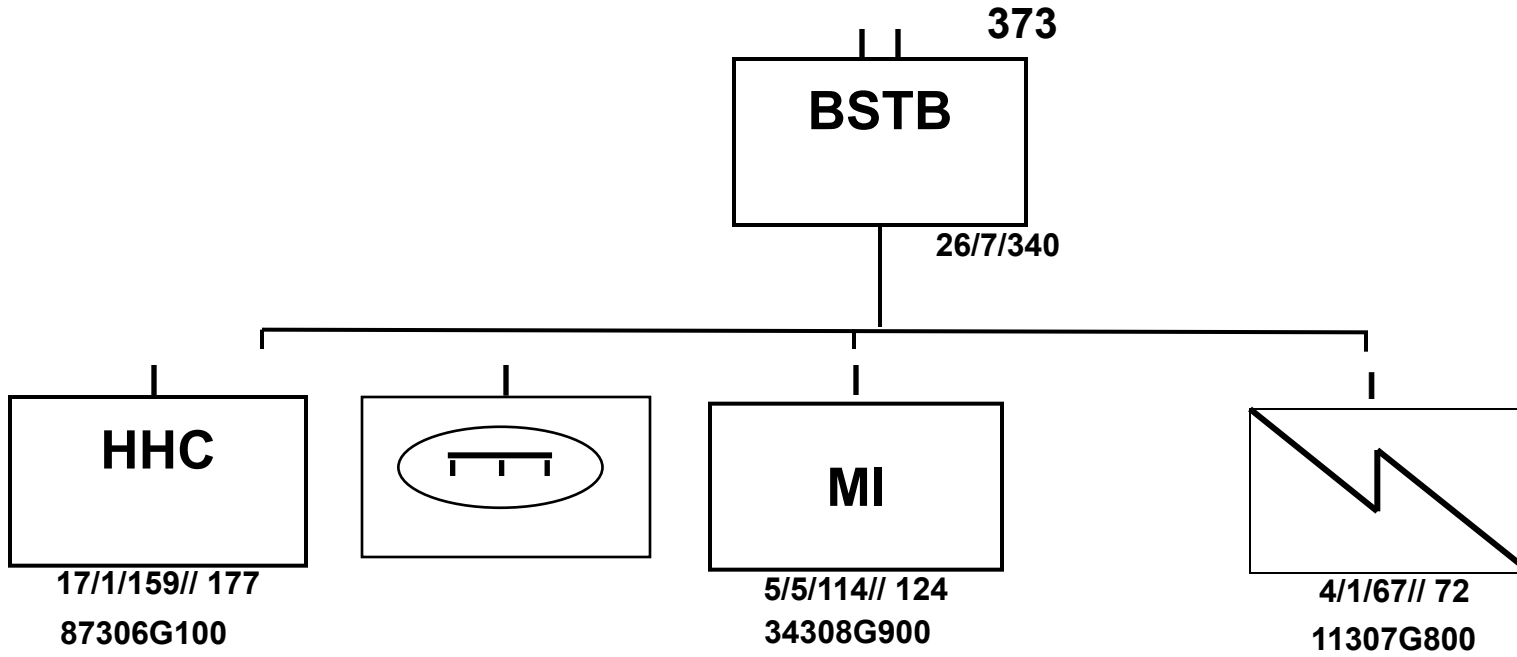
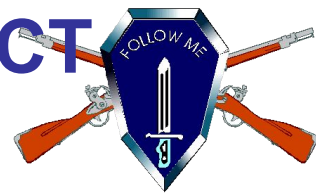






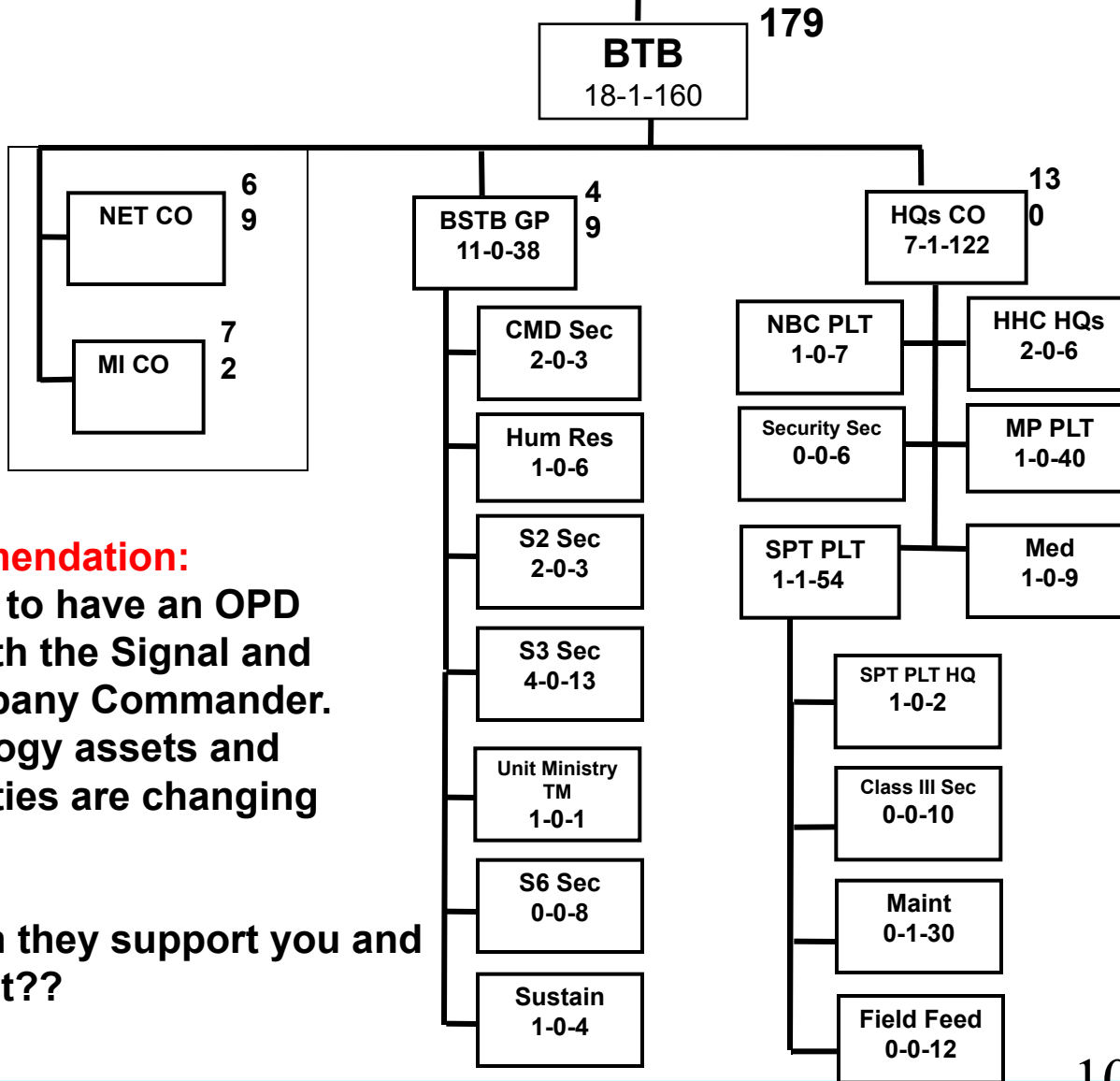
# Brigade Special Troops Battalion, HBCT

87305G100





# Brigade Special Troops Battalion HQ'S, HBCT 87305G000



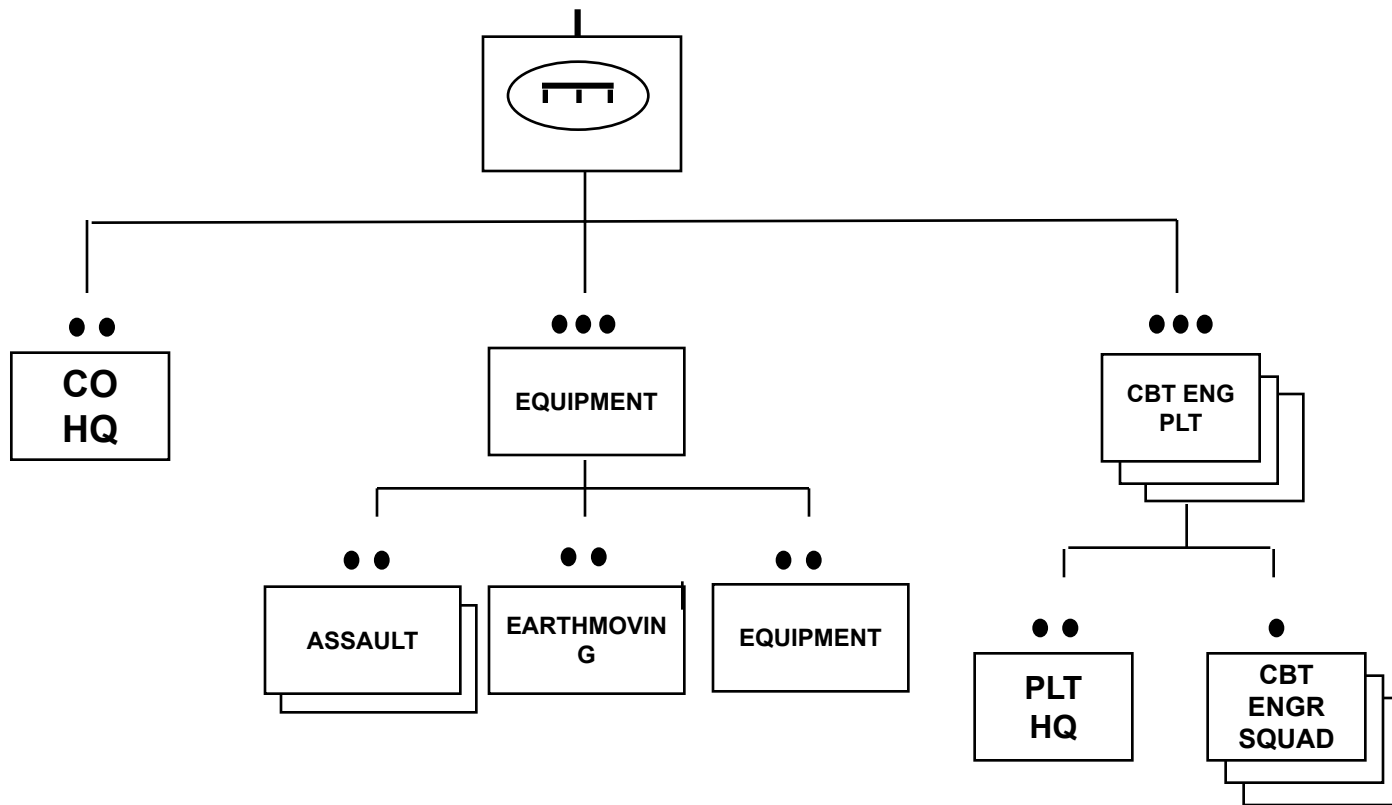
## Recommendation:

Arrange to have an OPD from both the Signal and MI Company Commander. Technology assets and capabilities are changing rapidly.

How can they support you and Your unit??



# HBCT Engineer CO Organization



Engineers have Bradleys



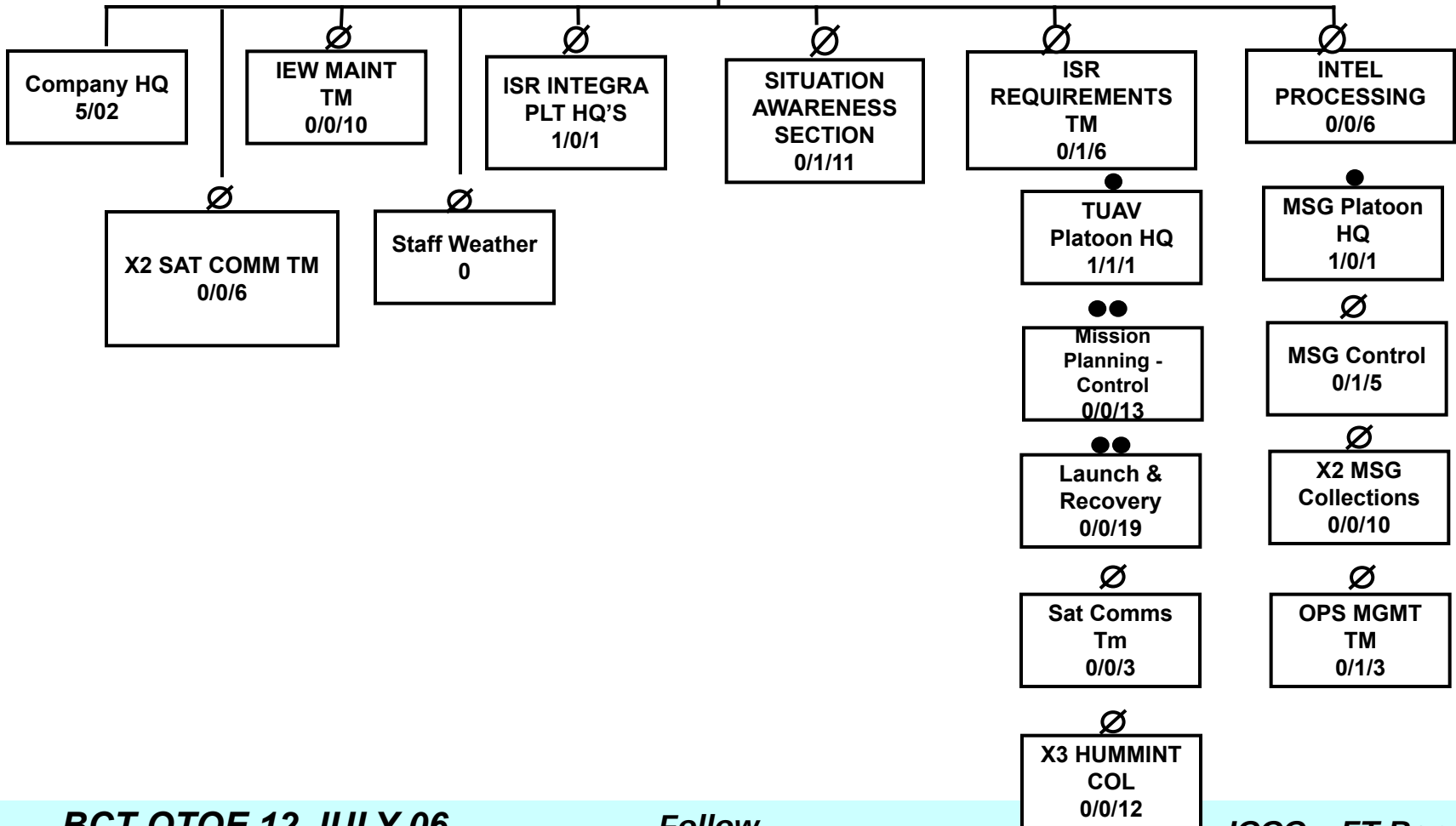
# Military Intelligence Company, BSTB, HBCT



34308G900<sup>122</sup>

**MI**

8/5/109 TOTAL: 122



**BCT OTOE 12 JULY 06**

*Follow*

**ICCC – FT Benning,**

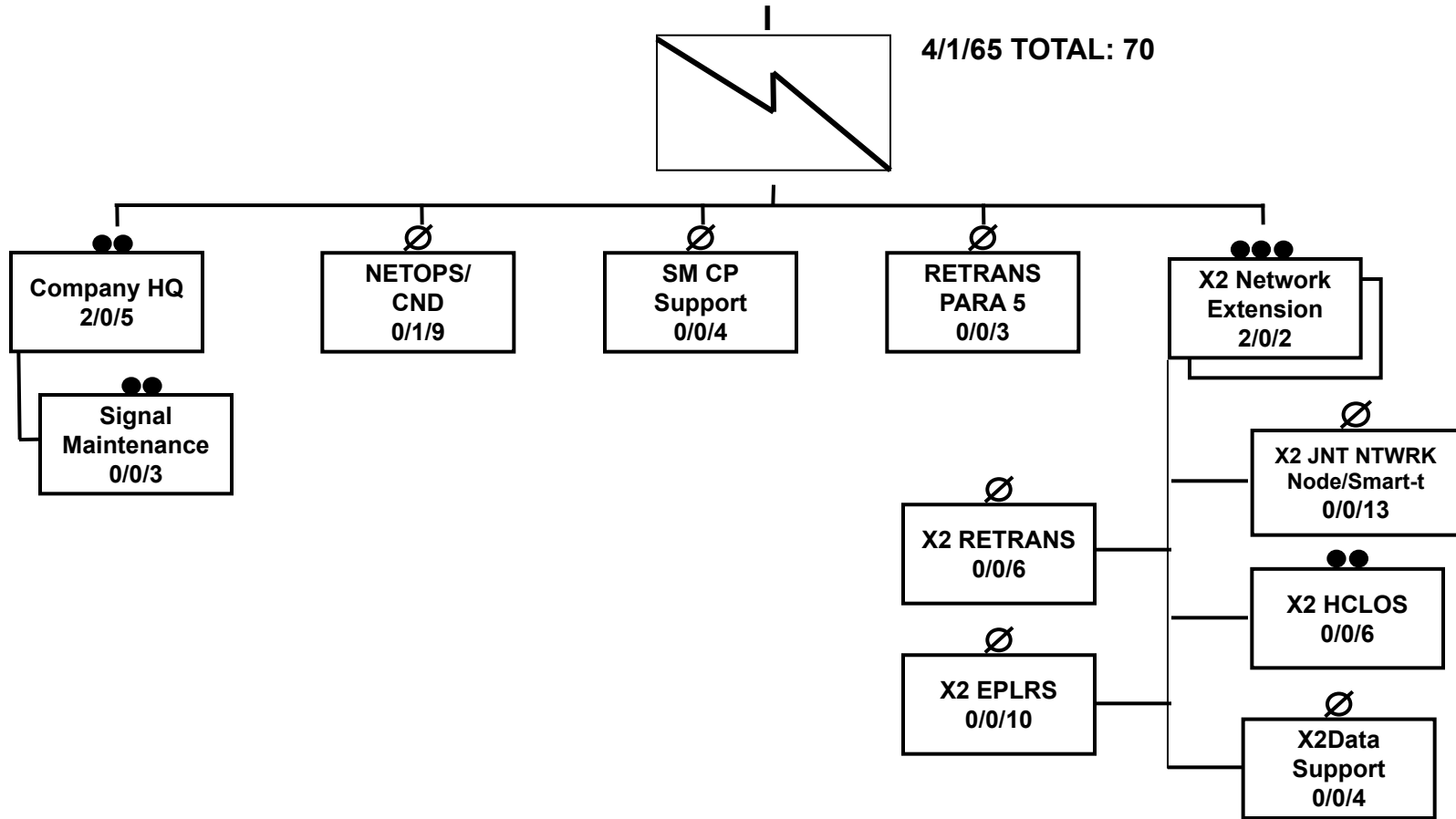
*Mel*

*Co*



# Signal CO, BSTB, HBCT

## 11307G800



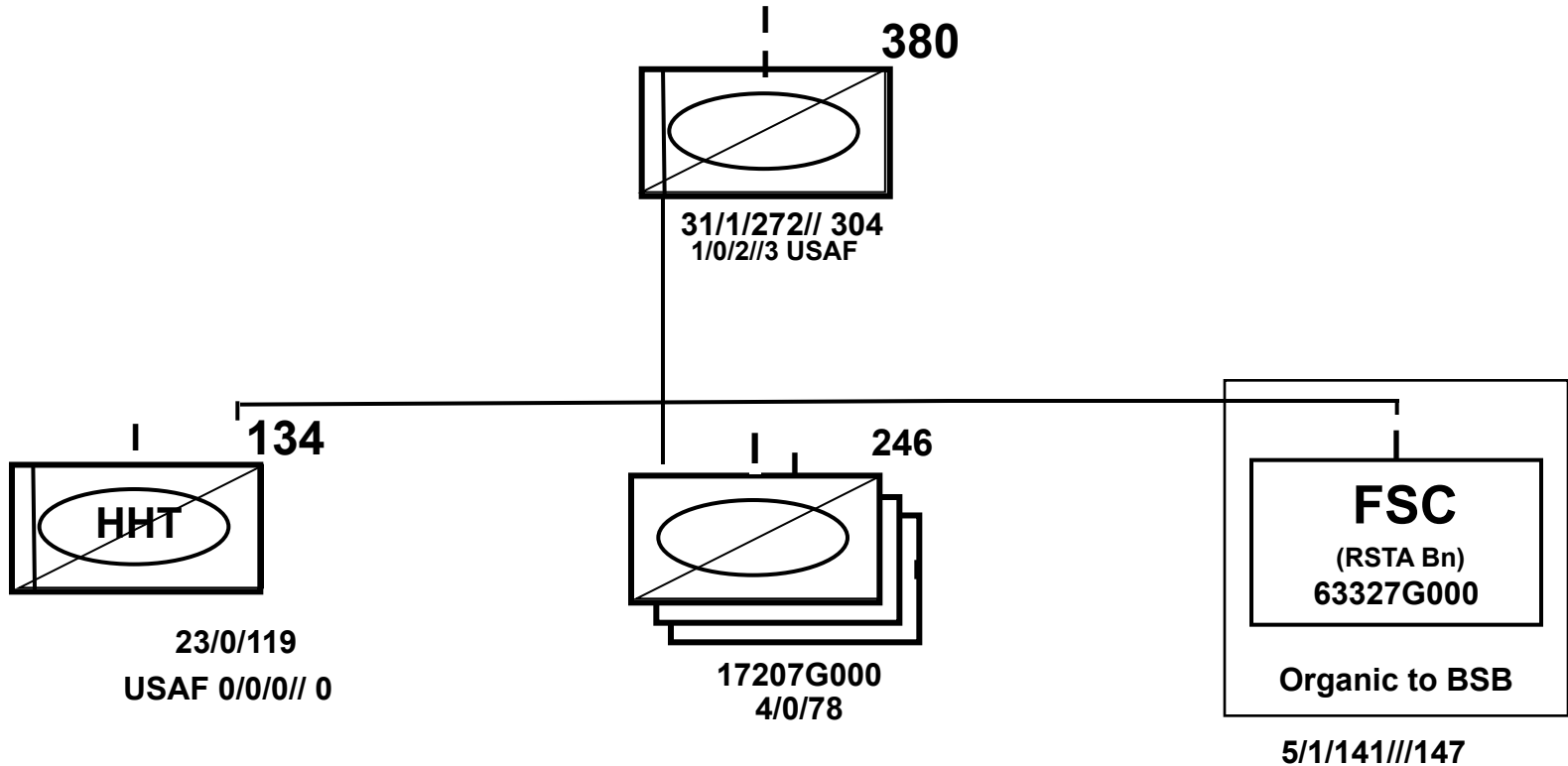


# Armored Recon Squadron, HBCT

17205G000



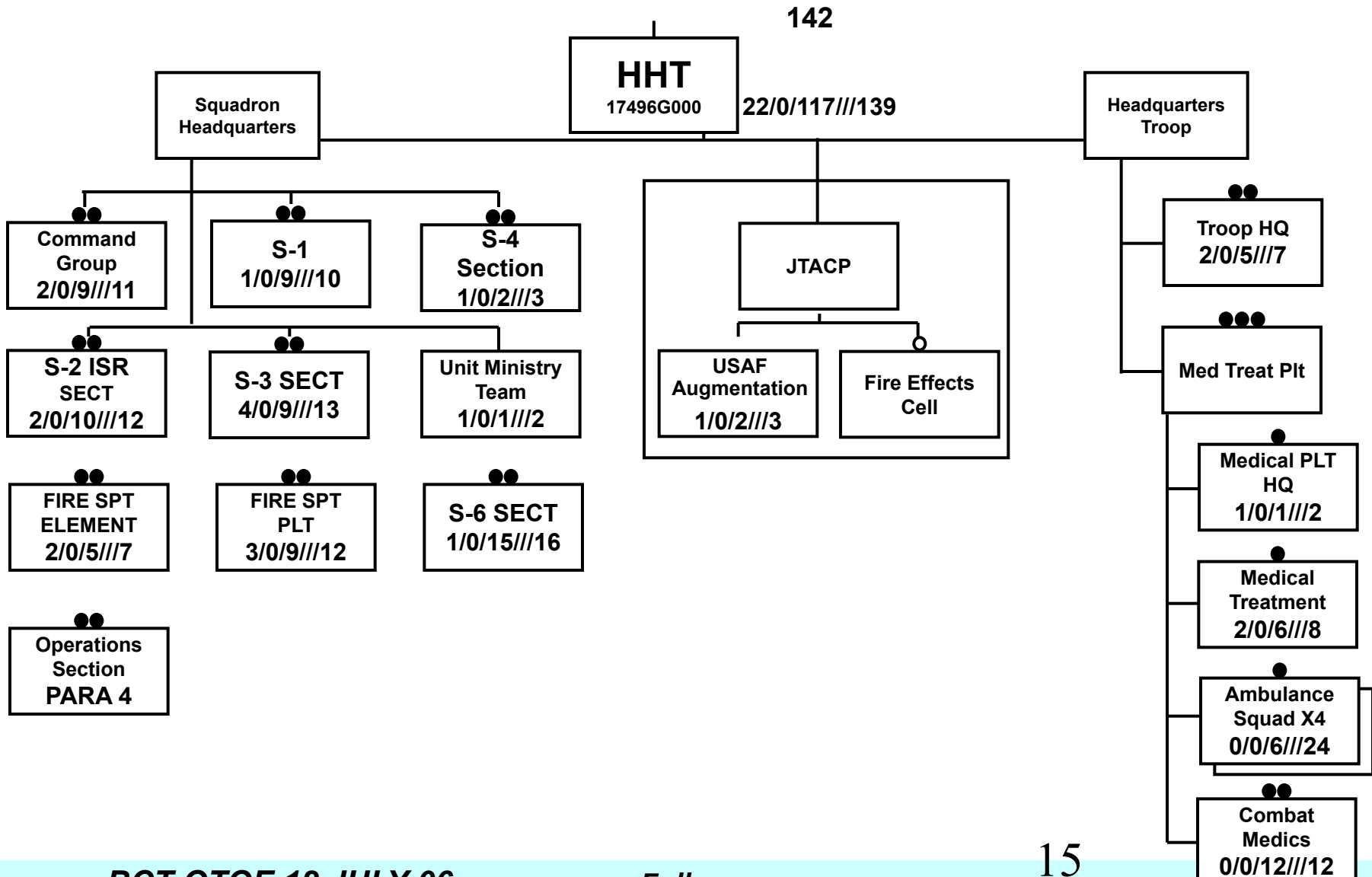
**NOT Called RSTA!!**





# HHT, Armored Recon Squadron, HBCT

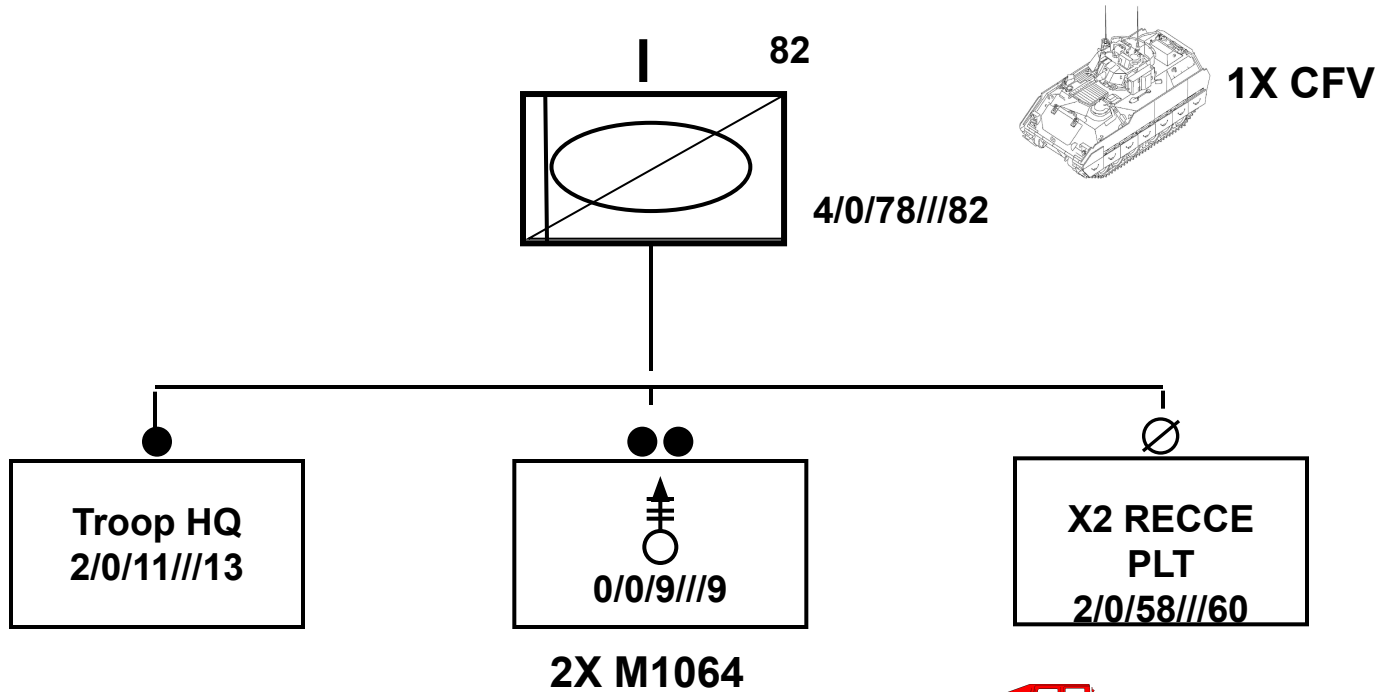
## 17206G000





# Recon Troop, ARS, HBCT

17207G000



## TOTAL COMBAT POWER:

7- CFVs

10- M1114

2-120 MM MORTAR

1-TAUV (RAVEN)

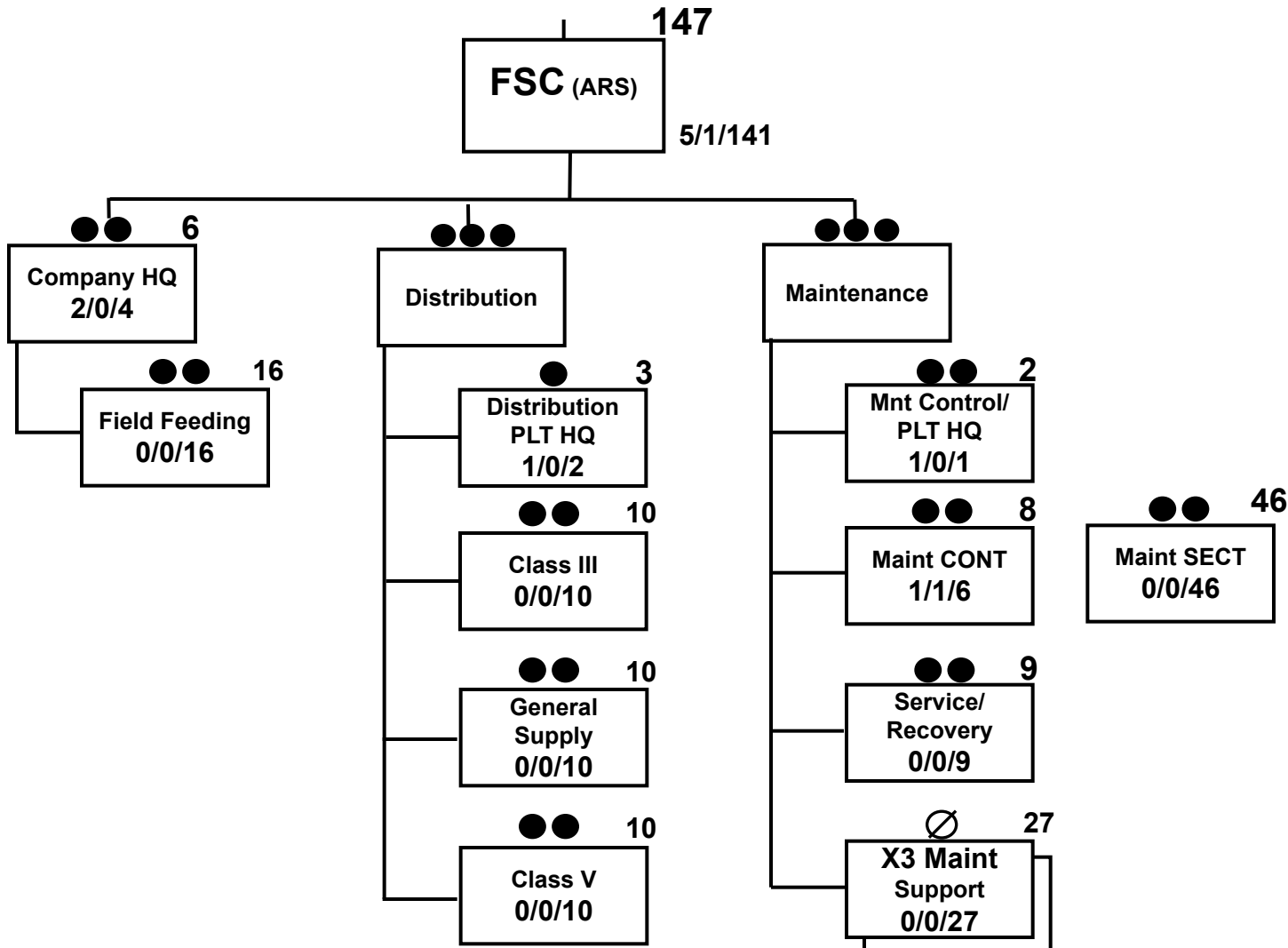
4-LRAS





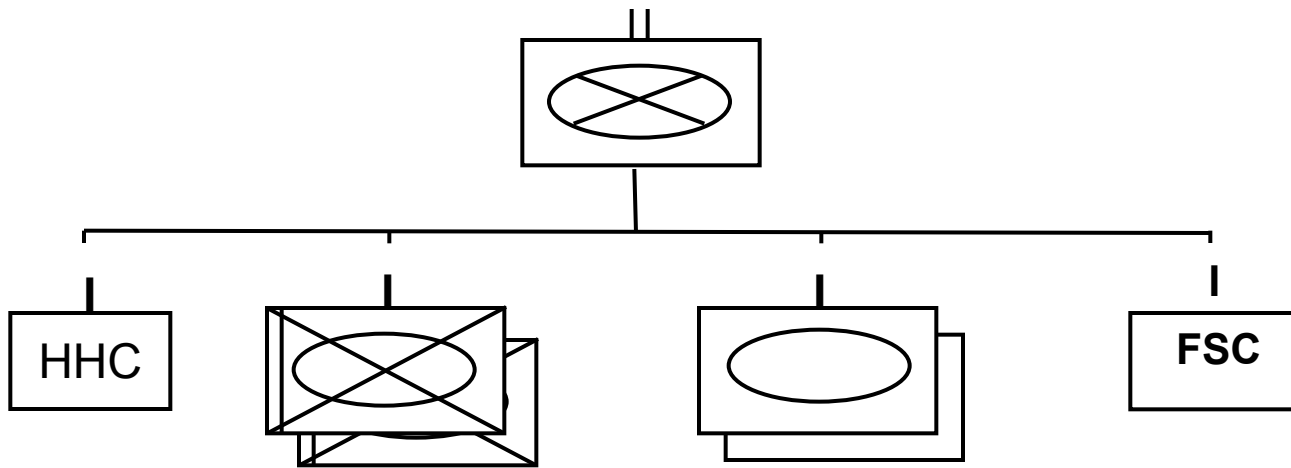
# Forward Support Company (ARS), HBCT

63327G000





# CAB Organization



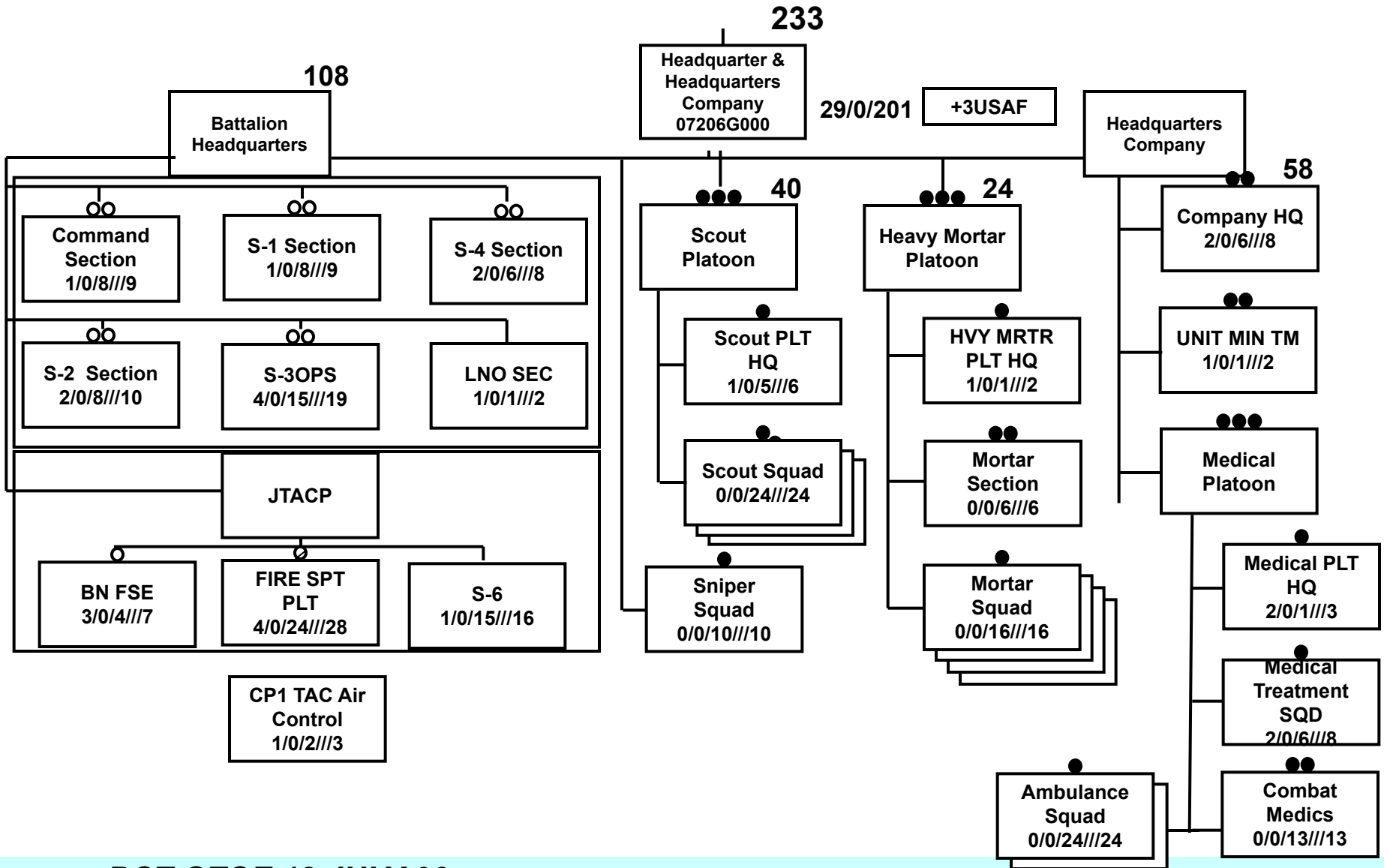
29 x M2 per Bn  
29 x M1 per BN  
3 x M3  
4 x M7  
18 x IN SQD (162 Infantry)

**FSKM 71-8, Annex-A (April 2007)**



# HHC, Maneuver Battalion, HBCT

07206G000



BCT OTOE 12 JULY 06

Follow

ICCC - FT Benning,

Mel

Co

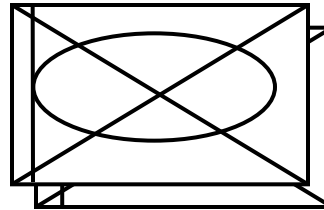


# Rifle Company, Maneuver Battalion, HBCT

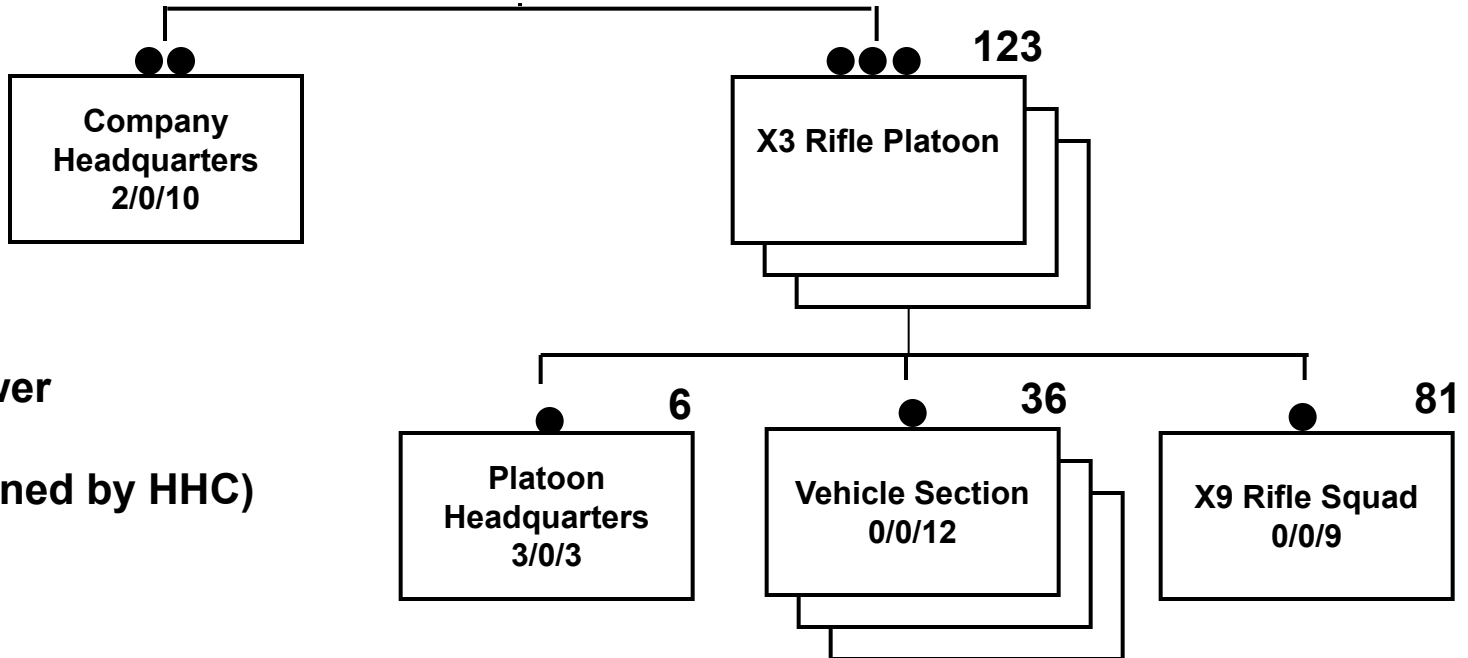


07207G000

270



07207G000  
5/0/130



**Combat Power**  
14-Bradleys  
1-BFIST (owned by HHC)  
1-TUAV

**BCT OTOE 12 JULY 06**

**Follow**

**20**

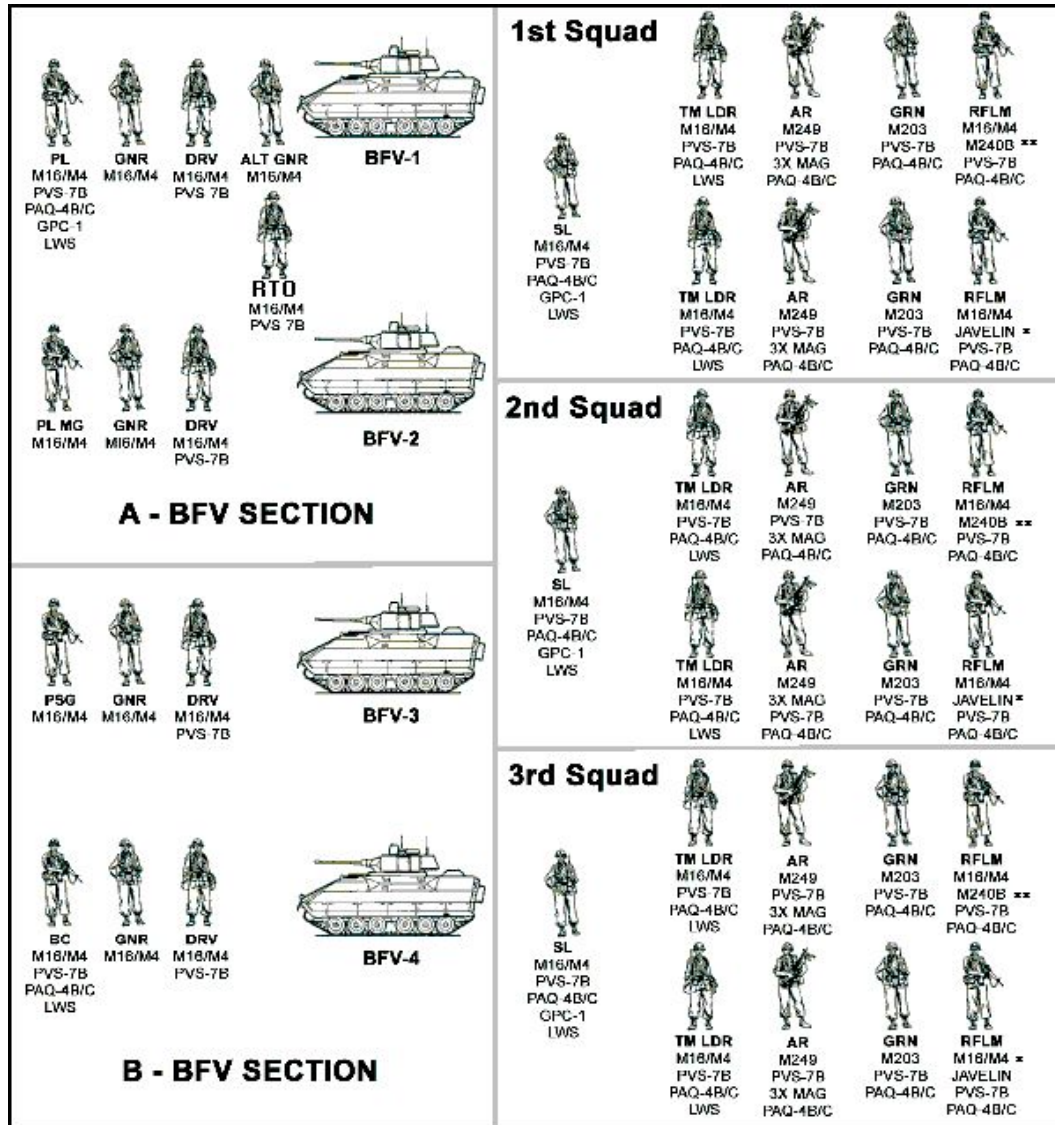
**ICCC – FT Benning,**

**Mel**

**Co**



# MECHANIZED INFANTRY RIFLE PLATOON (BFV)





# MISSION



**The mission of the Bradley Fighting Vehicle [BFV] is to provide mobile protected transport of an infantry squad to critical points on the battlefield and to perform cavalry scout missions. The BFVs will also provide over-watching fires to support dismounted infantry and to suppress or defeat enemy tanks and other fighting vehicles**

## **PURPOSE OF THE M2A3 IFV**

- MOBILE, PROTECTED TRANSPORT OF INFANTRY
- FIRES TO SUPPORT THE DISMOUNTED INFANTRY
- FIRES TO SUPPRESS OR DESTROY ENEMY IFVs
- ANTIARMOR FIRES TO DESTROY ENEMY ARMOR





# MECHANIZED INFANTRY RIFLE PLATOON (BFV)



## M2A2/3 WEAPON SYSTEMS

### 25mm CHAIN GUN

AP – 1800m

HE – 3000m

300 READY, 600 RESERVE

### M240C COAX – TRACER 900m

800 READY, 3600 RESERVE

### 2-TUBE TOW LAUNCHER – 3750m

2 READY, 5 RESERVE

### SMOKE GRENADE LAUNCHER

2x4 SMOKE GRENADE PODS

### 3-MAN CREW + 7 DISMOUNTS

### FULLY COMBAT LOADED WT – 34 TONS

-600 HP DIESEL ENGINE

- 3.38m TALL = 11 FT

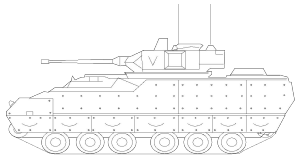




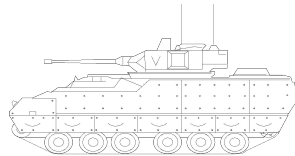
# “HEAVY” COMPANY COMMAND & CONTROL



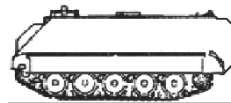
## MECHANIZED INFANTRY COMPANY



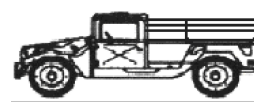
**CO CDR  
GNR  
BFV DVR  
RTO**



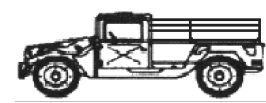
**CO XO  
BFV GNR  
BFV DVR**



**1SG  
DRIVER**

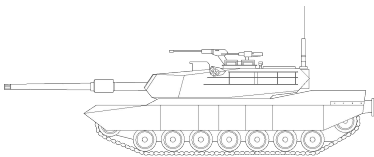


**SIG NCO**

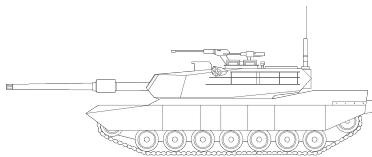


**NBC NCO**

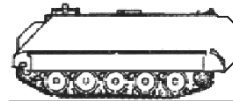
## ARMOR COMPANY



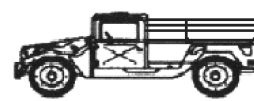
**CO CDR  
GNR  
DRIVER  
LOADER**



**CO XO  
GUNNER  
DRIVER  
LOADER**



**1SG  
DRIVER**



**SIG NCO**



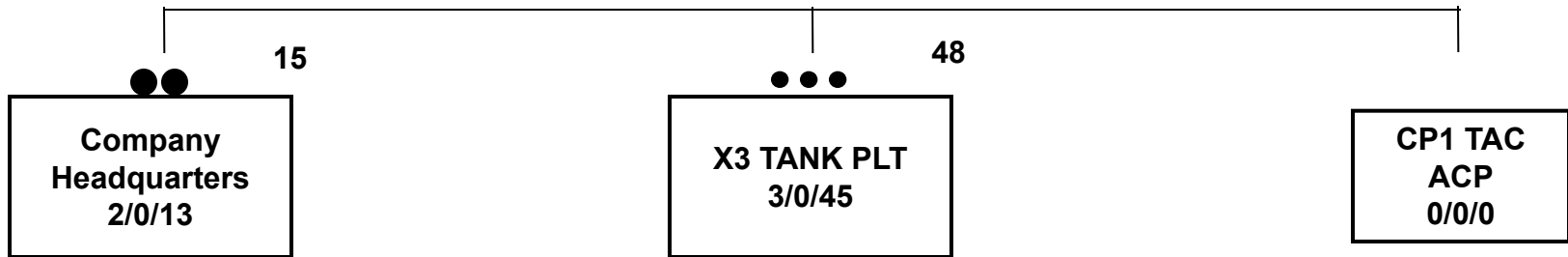
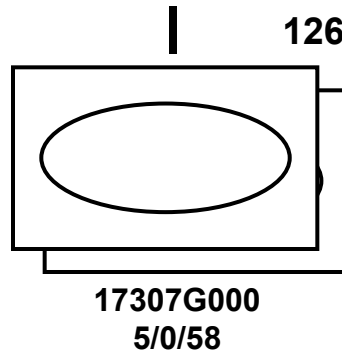
**NBC NCO**





# Armor CO, MNVR BN, HBCT

17307G000



## Combat Power:

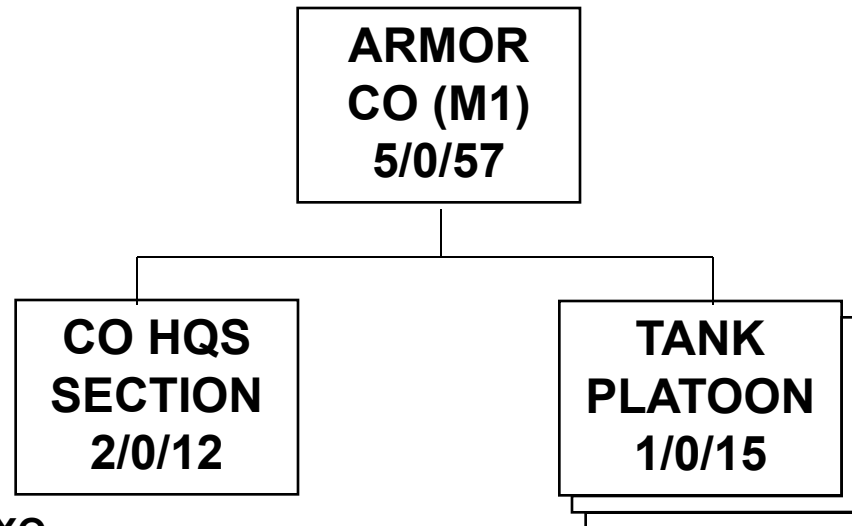
14-M1s

1-BFIST

1-TUAV



# ARMOR COMPANY (M1A1)



2x M1A1 – CO, XO  
1x M113 – 1SG  
2x M998 – CO, 1SG  
1x LMTV – SUPPLY  
1x W/TRL – SUPPLY  
1x M2 MG – SUPPLY  
1x M2 MG – 1SG

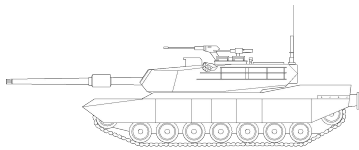
4x M1A1

3x Tank PLOW  
1x Tank ROLLER

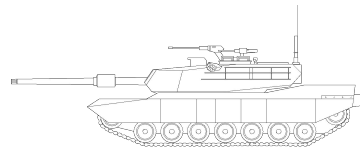
Each Plt typically  
Has 1 plow  
\*\* note:  
Plows and rollers belong  
to HHC on the property book



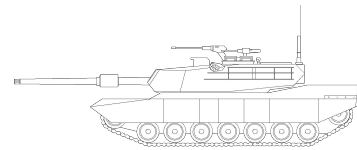
# TANK PLATOON (M1A1)



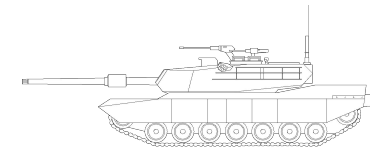
**PLT LDR (O2)**  
**GUNNER (E5)**  
**DRIVER (E4)**  
**LOADER (E3)**



**SEC LDR (E6)**  
**GUNNER (E5)**  
**DRIVER (E4)**  
**LOADER (E3)**



**SEC LDR (E6)**  
**GUNNER (E5)**  
**DRIVER (E4)**  
**LOADER (E3)**



**PLT SGT (E7)**  
**GUNNER (E5)**  
**DRIVER (E4)**  
**LOADER (E3)**



# THE M1A1 ABRAMS



## Numerous Weapon Systems

- 120MM MAIN GUN – 3000 METERS  
7.62 M240G COAX
- .50 CAL COMMANDER'S WEAPON  
STATION (Fired from inside turret)
- LOADER'S 7.62 M240G  
**Can not fire if closed hatch**
- TURRET MOUNTED SMOKE  
GRENADE LAUNCHERS

## MAIN GUN AMMO

- APFSDS** – DEPLETED URANIUM DESIGNED  
TO DESTROY TANKS
- HEAT** – EMPLOYED AGAINST LIGHT ARMOR  
AND BUNKERS
- MPAT** – VARIABLE FUSE FOR USE AGAINST  
EITHER LIGHT ARMOR OR HELICOPTERS
- OR** – OBSTACLE REDUCER
- CANNISTER** – ANTI-PERSONNEL
- 40 RDS FULLY COMBAT LOADED**
  - 17 READY RACK
  - 17 SEMI-READY RACK
  - 6 HULL STORAGE

## LOGISTIC CONSIDERATIONS:

Capacity: 505 gallons of JP8. Uses 300+ gallons every eight hours  
10 min./tank refuel  
30 min./platoon refuel  
275 mile cruise range



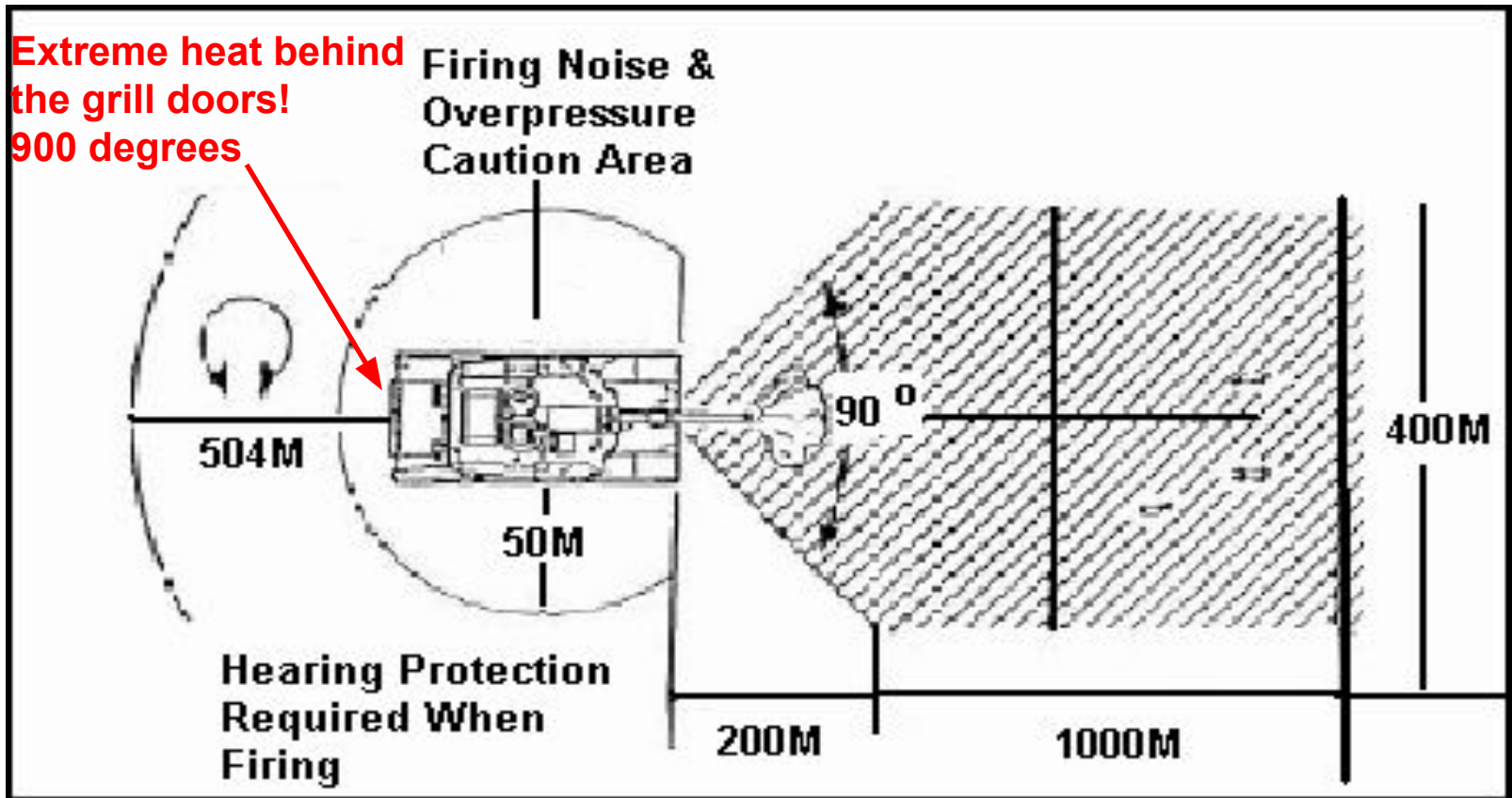


# THE SABOT PETALS





# Overpressure, Petal, Noise and Heat, SDZs





# M1 ABRAMS MAIN GUN AMMUNITION



**HEAT**

**HEAT**

**MPAT**

**SABOT**

**SABOT**

**SABOT**



anister, XM1028



Projectile Cross-section view showing Tungsten Ball payload

**M1028**





# THE M1A2 ABRAMS



**Same Weapons  
Same Ammo**

**CITV: Allows TC to  
View targets  
independent  
Of Gunner**

**SEP: 50x Power Sight  
Outstanding for OPs  
Hunter/Killer Teams  
With LT/Infantry**

**FBCB2/BFT**





# TANK URBAN SURVIVAL KIT



Remote weapons station



Loader's Armor Gun Shield



Loader's thermal sight



tank/infantry telephone



Thermal sight goggles



Rear protecting unit slat armor



Thermal sight components



Abrams Reactive Armored Tiles



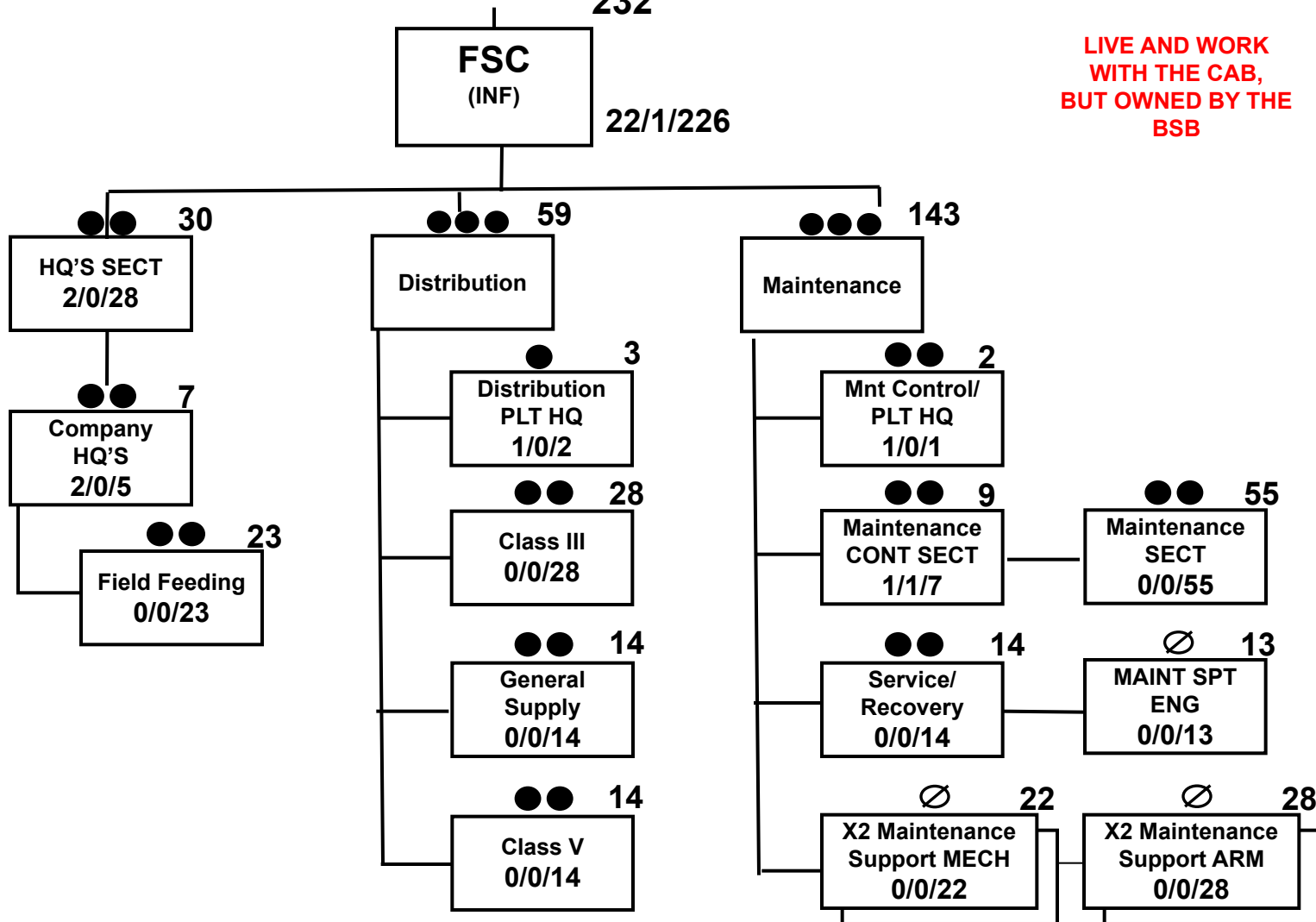


# Forward Support Company (MNVR), BSB, HBCT

63327G100  
232



LIVE AND WORK  
WITH THE CAB,  
BUT OWNED BY THE  
BSB



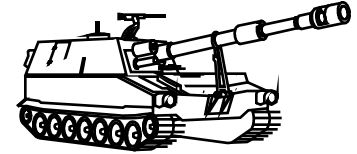
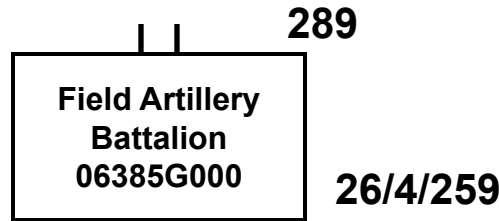


# Field Artillery Battalion (155SP), HBCT

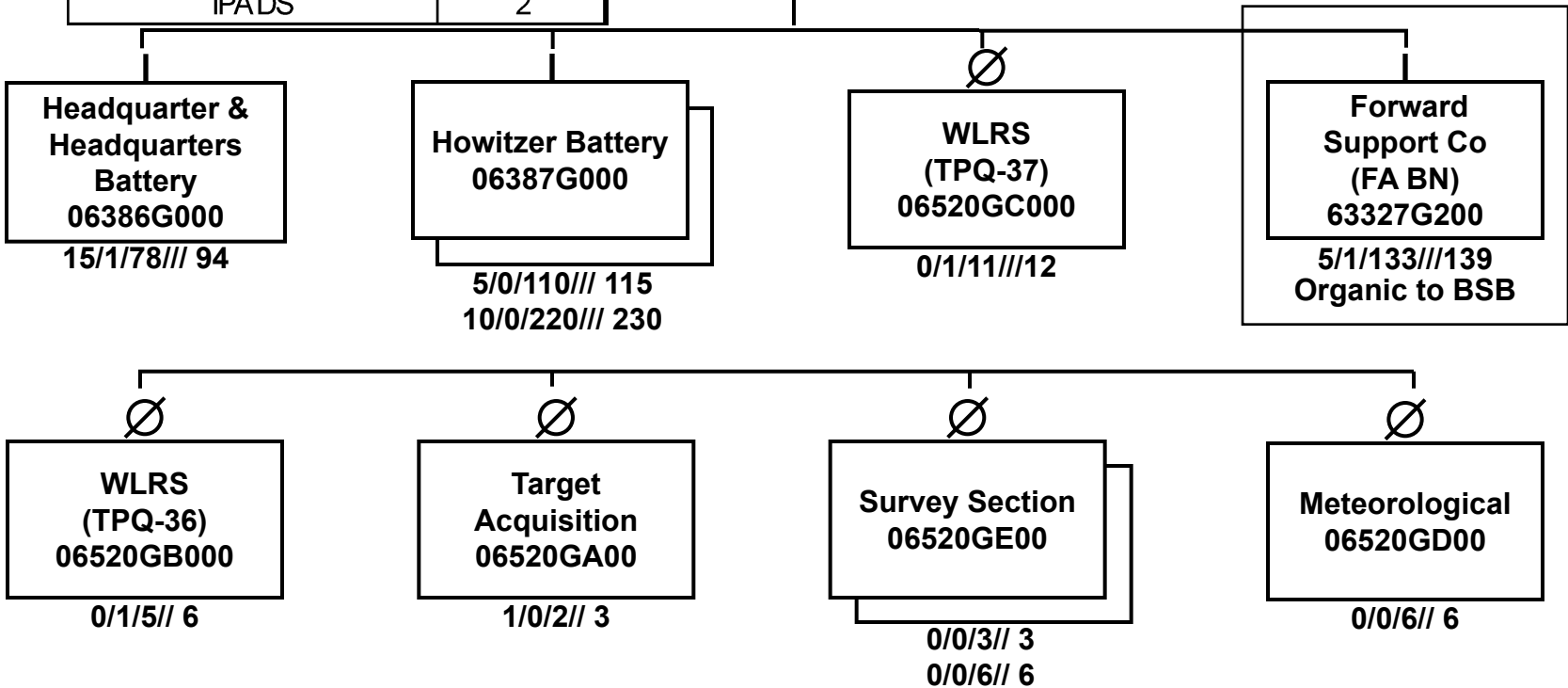
## TOE 06385G000



SYSTEM	QTY
<b>M109A6</b>	<b>16</b>
Q36	1
Q37	1
LCMR	4
Profiler	1
IPADS	2



**16 GUNS  
8/BATTERY**

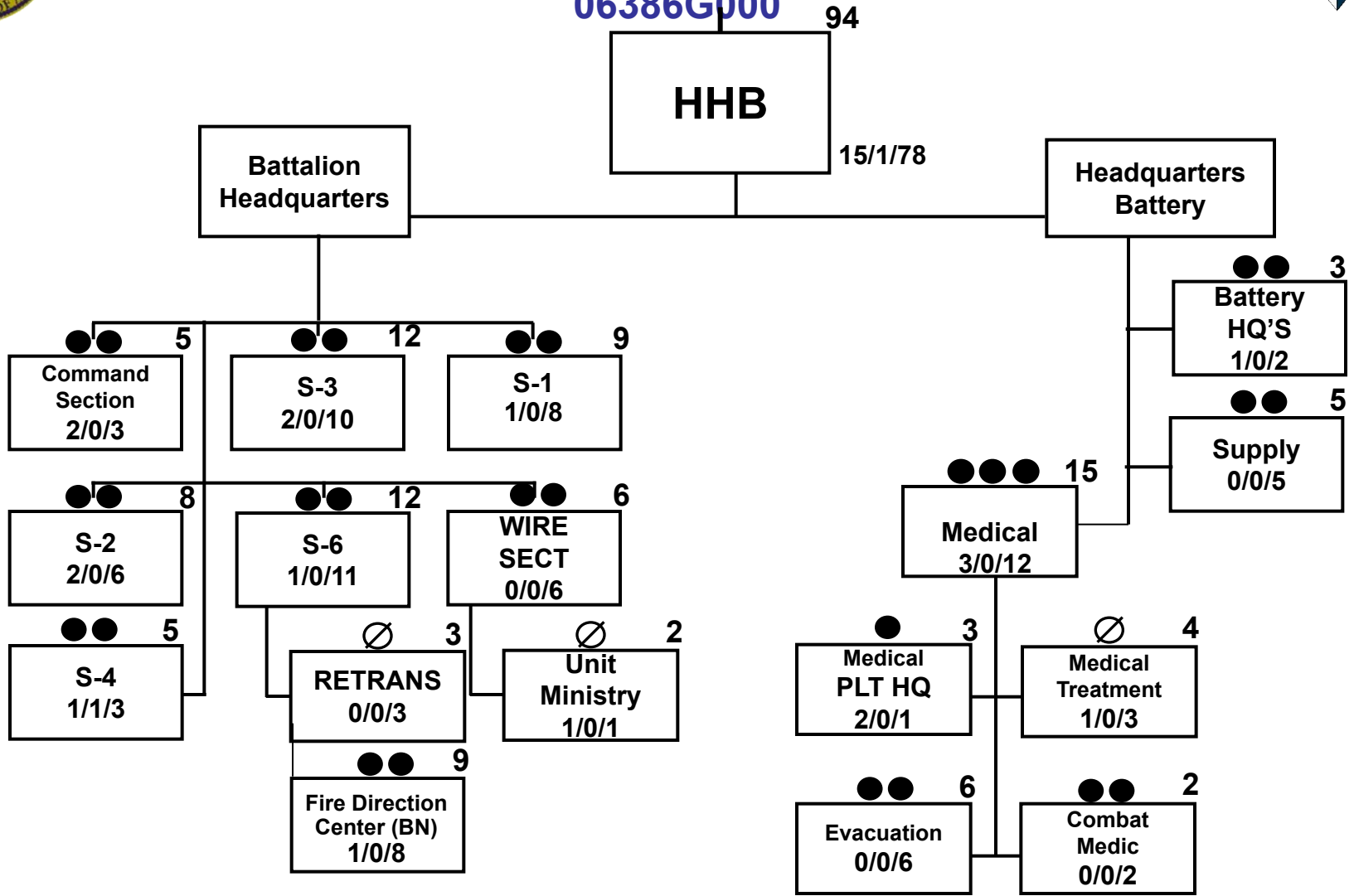




# HHB, Field Artillery Battalion (155SP), HBCT



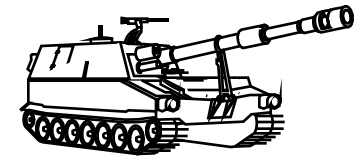
06386G000



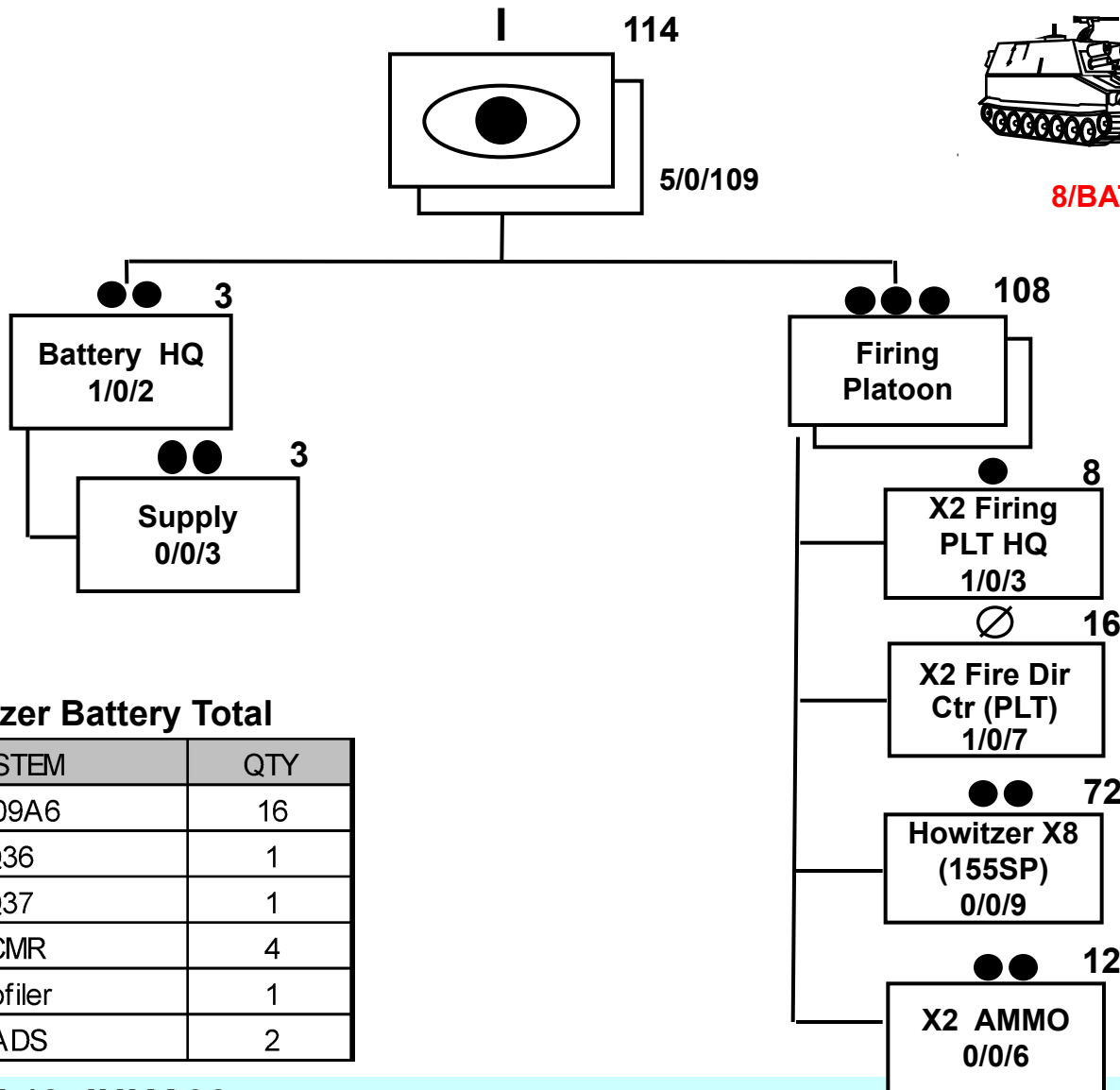


# Howitzer Battery, Field Artillery Battalion (155SP), HBCT

06387G000



8/BATTERY



## Howitzer Battery Total

SYSTEM	QTY
M109A6	16
Q36	1
Q37	1
LCMR	4
Profiler	1
IPADS	2

BCT OTOE 12 JULY 06

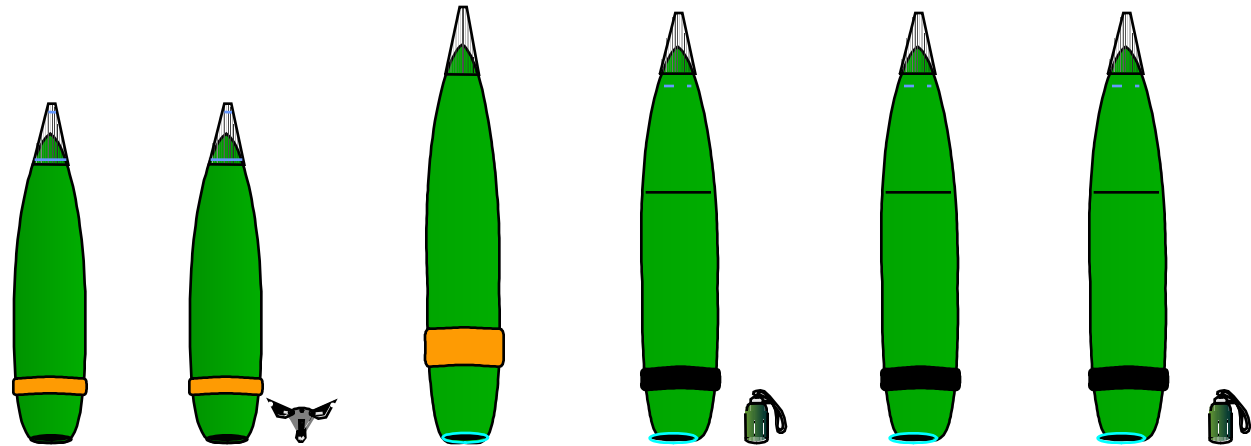
Follow

ICCC - FT Benning, Ga

Mel



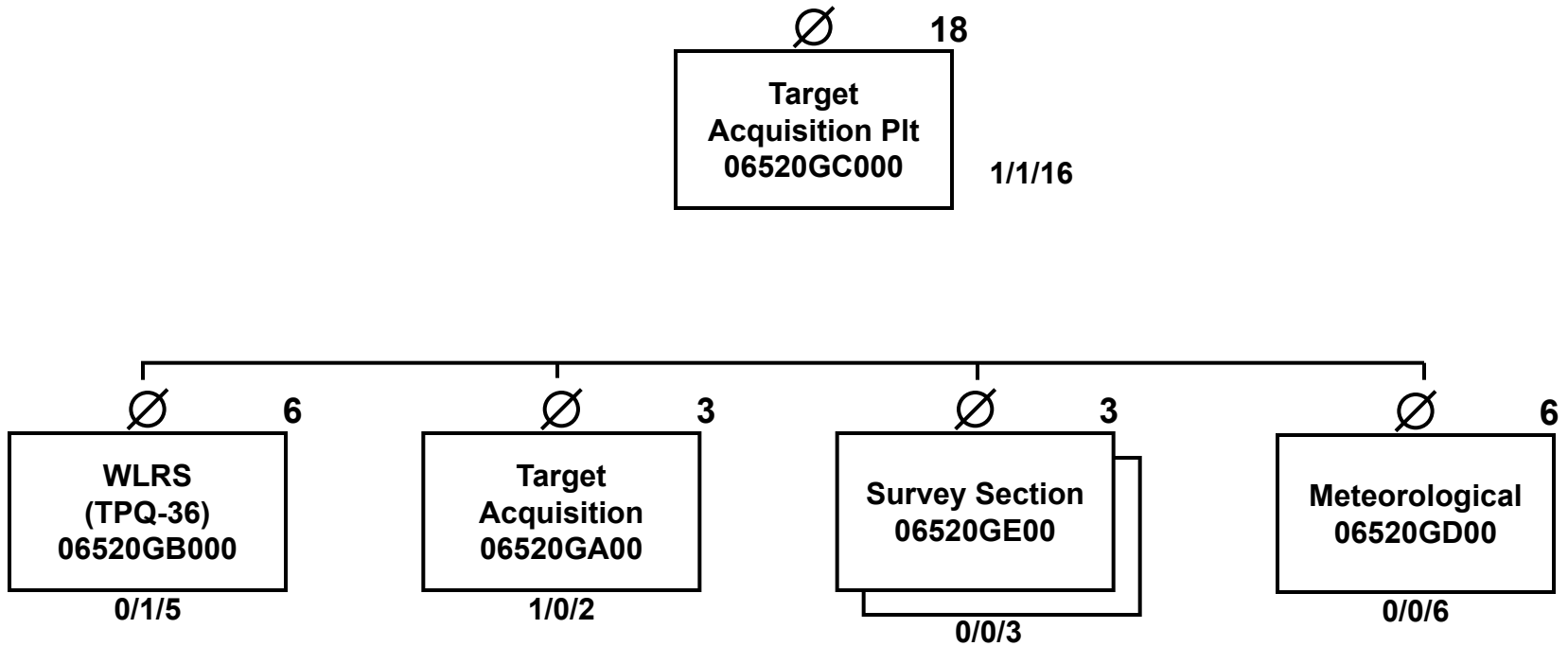
# 155mm LETHAL MUNITIONS



TYPE MUNITION	HE	APICM	RAP	DPICM	HE	DPICM BB
MODEL	M107	M449A1	M549A1	M483A1	M795	M864
FIELDING	1958	1964	1971	1975	1985	1991
MAX CHARGE	M119A2	M119A2	M203A1	M119A2	M203A1	M203A1
MAX RANGE	18.1KM	18.1 KM	30.0 KM	17.5 KM	22.2 KM	28.4 KM
PRICE	\$180	\$255	\$840	\$456	?	?



# Target Acquisition Team, Field Artillery HBCT 06520GC000

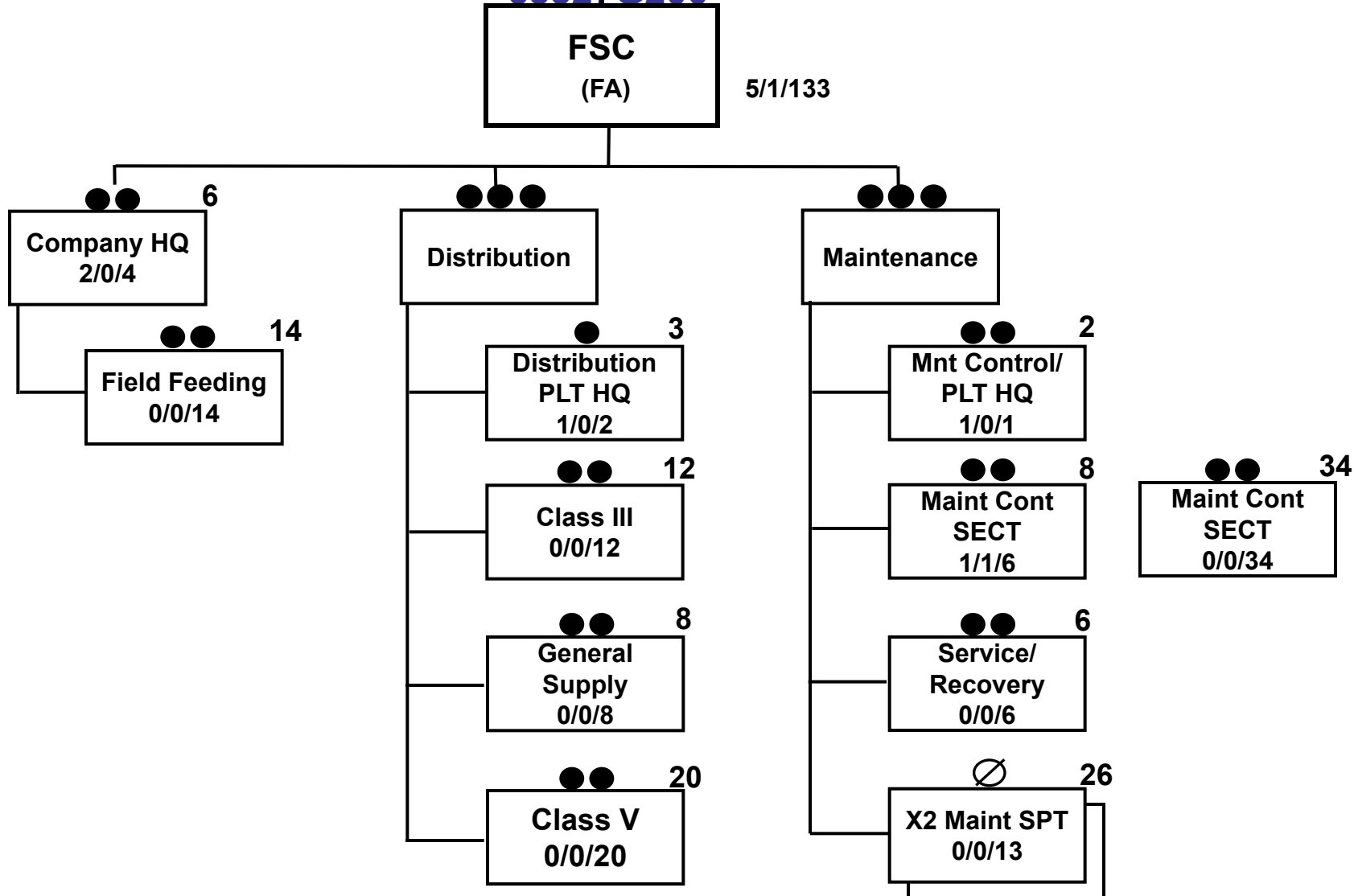




# Forward Support Company (FA), BSB, HBCT



63327G200<sup>139</sup>



BCT OTOE 12 JULY 06

Follow

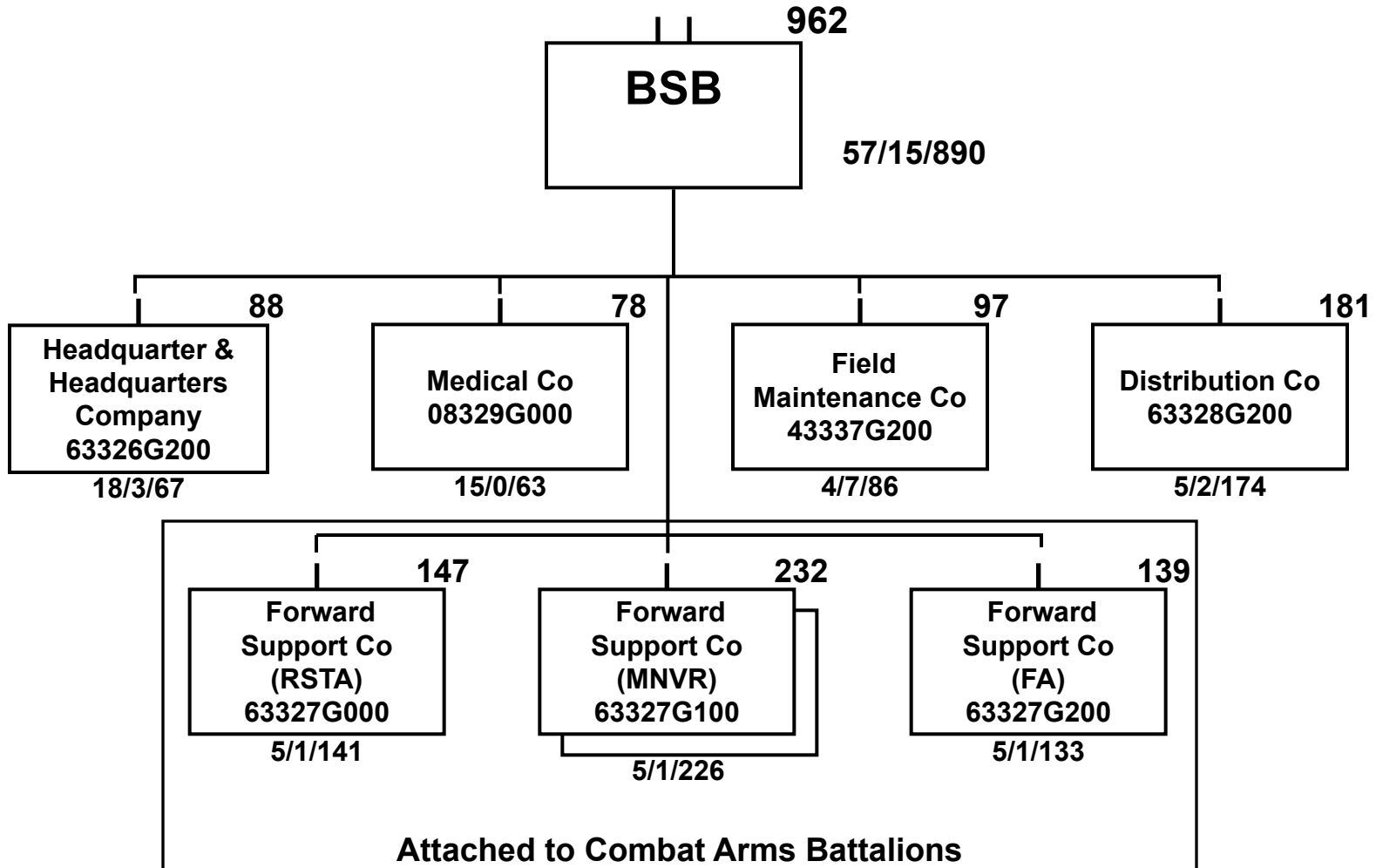
ICCC - FT Benning, Ga





# Brigade Support Battalion, HBCT

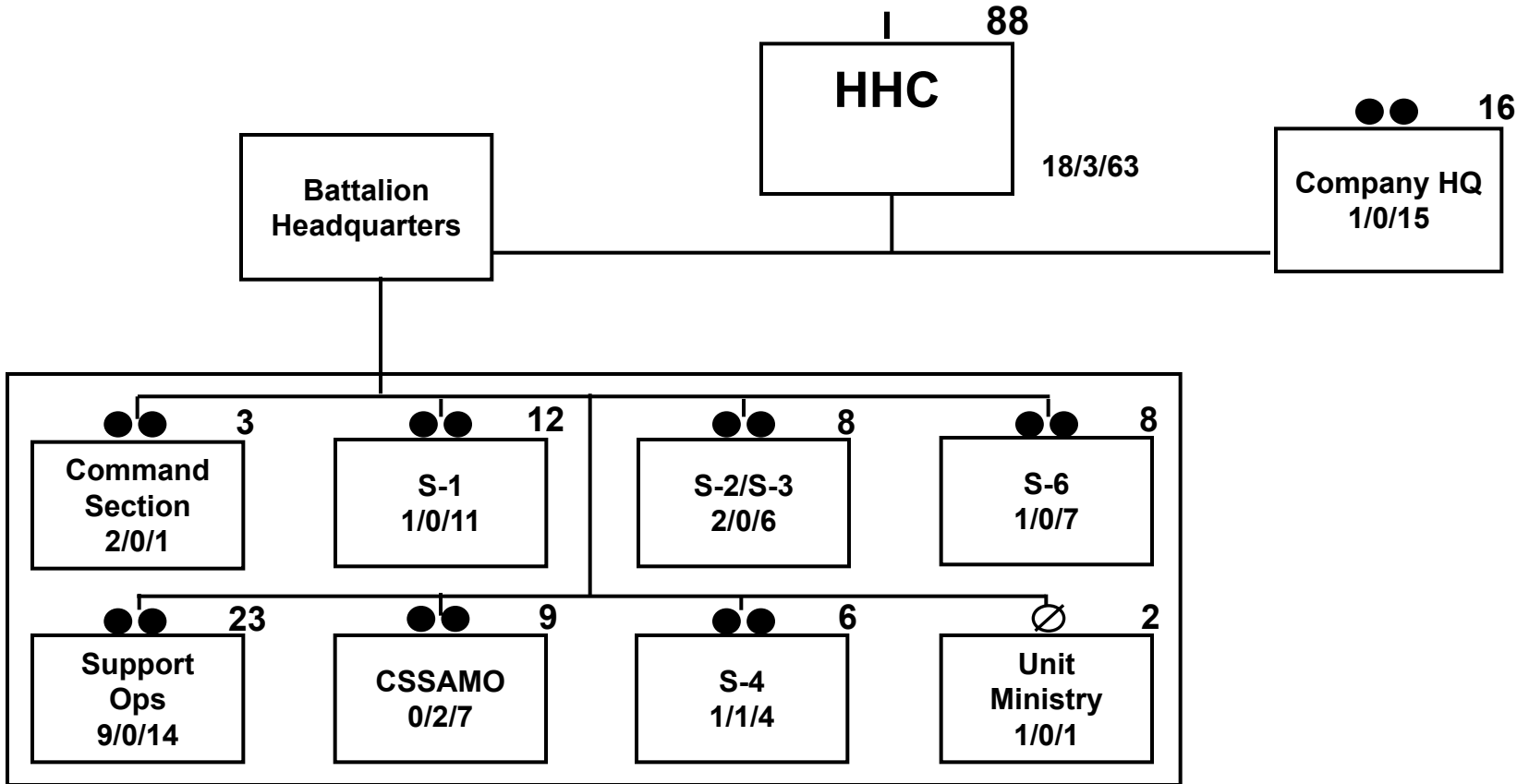
## 63325G200





# HHC, Brigade Support Battalion, HBCT

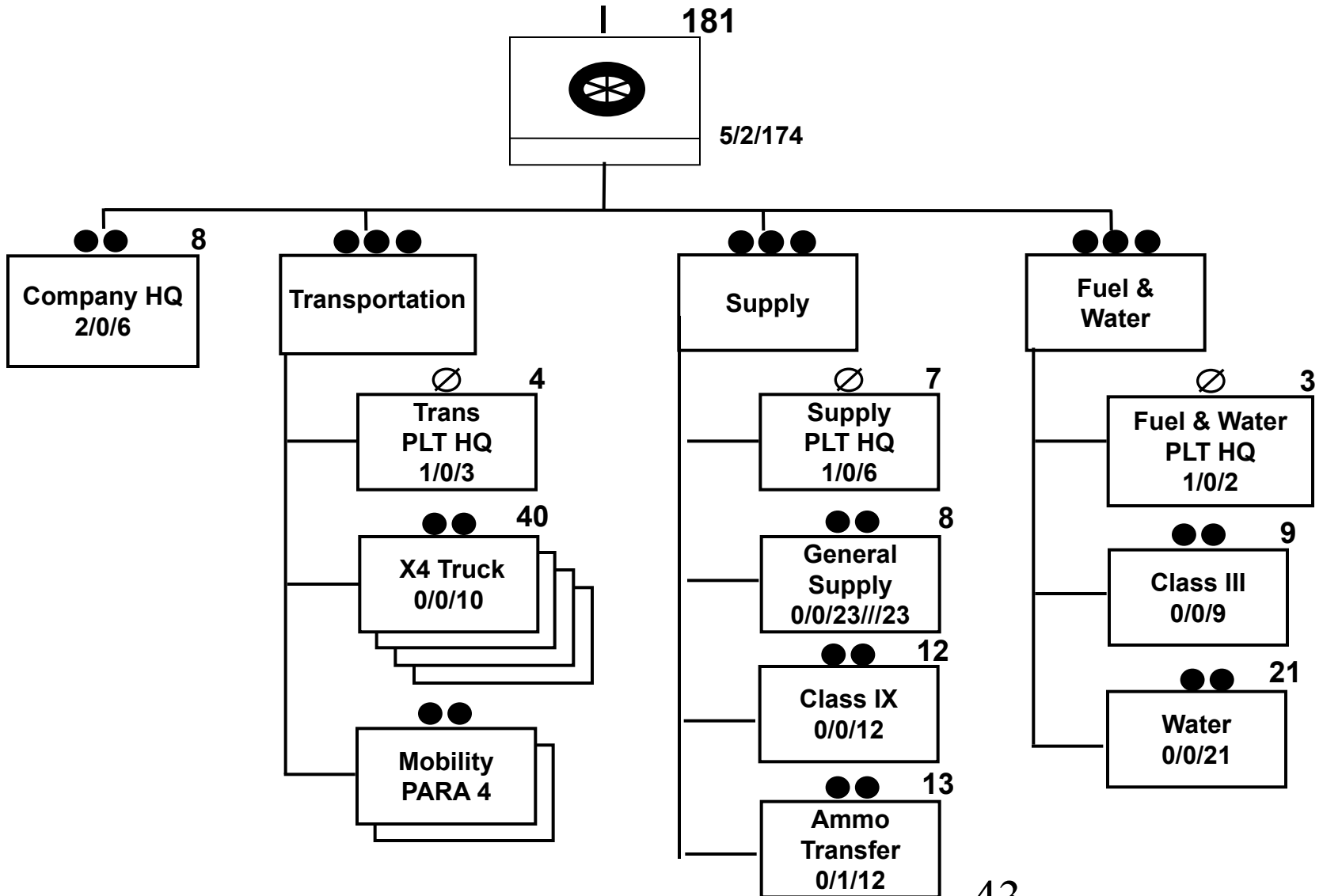
63326G200





# Distribution Company, BSB, HBCT

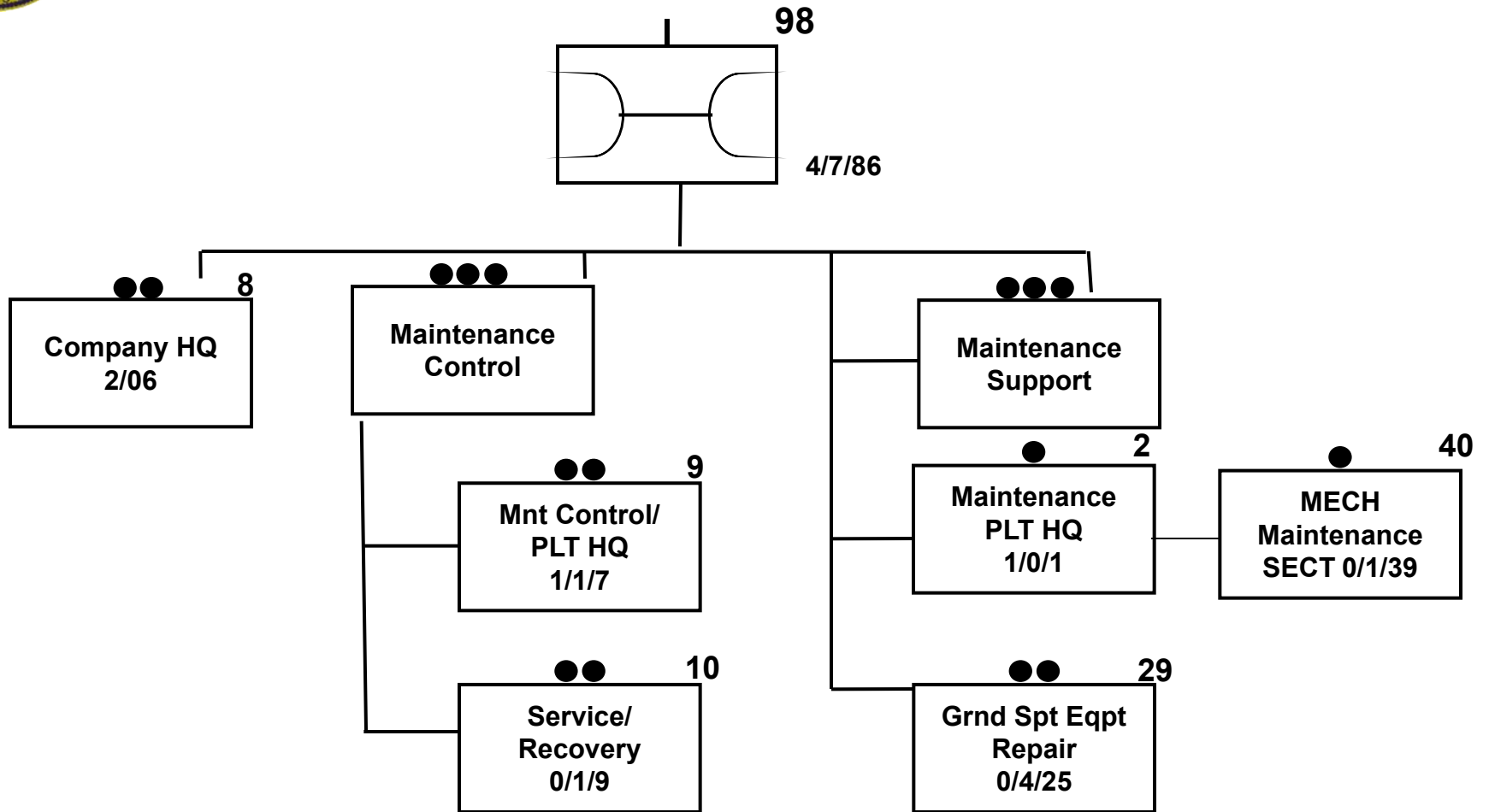
63328G200





# Field Maintenance Company, BSB, HBCT

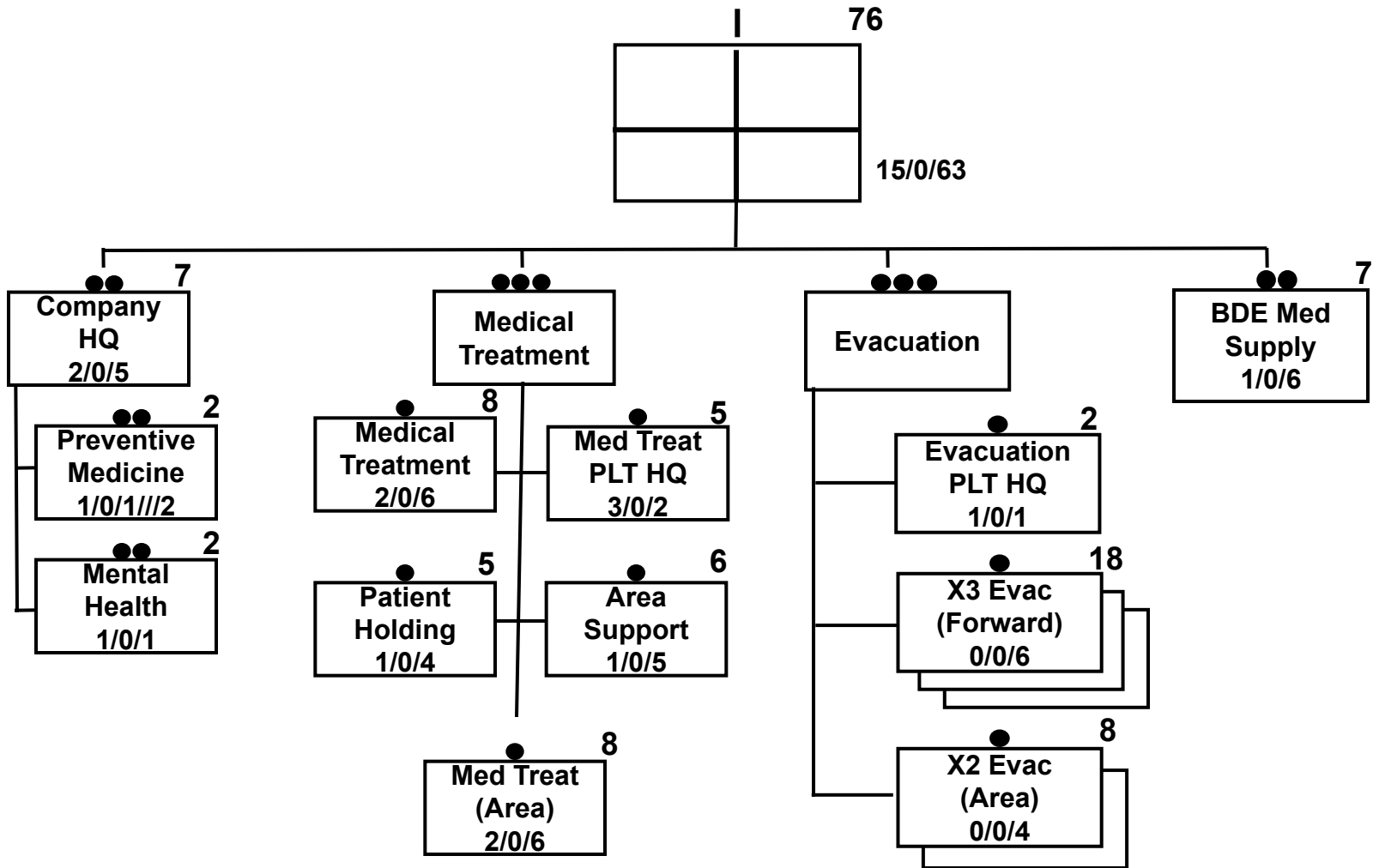
43337G200





# Medical Company, BSB, HBCT

08339G000

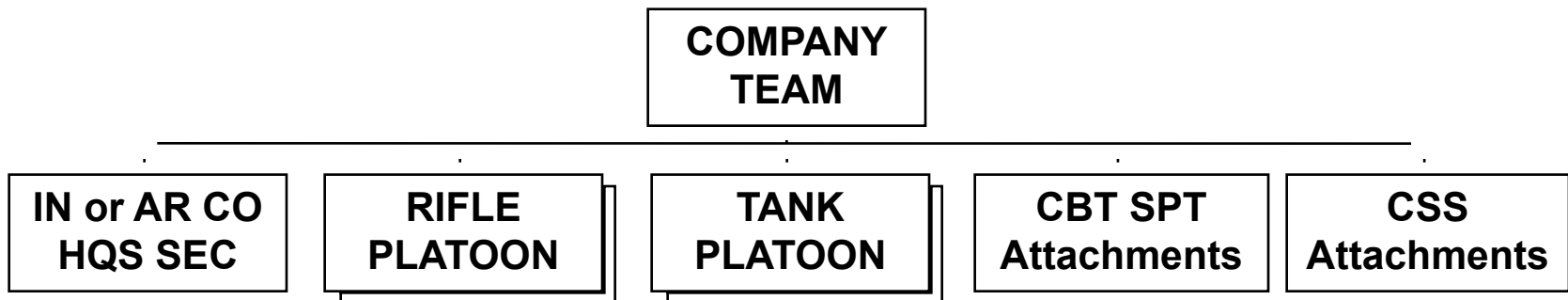




# COMPANY TEAM



- A TEAM FORMED BY THE ATTACHMENT OF ONE OR MORE NONORGANIC TANK, MECHANIZED INFANTRY, OR LIGHT INFANTRY PLATOONS TO A TANK, MECHANIZED INFANTRY, OR LIGHT INFANTRY COMPANY EITHER IN EXCHANGE FOR OR IN ADDITION TO ORGANIC PLATOONS



FM 101-5-1, SEP 97

46



# COMMANDER RESPONSIBILITIES



- **RESPONSIBLE FOR EVERYTHING THE COMPANY TEAM DOES OR FAILS TO DO**
- **CONTROL MANEUVER OF COMPANY & SYNCHRONIZES COMBAT SUPPORT AND COMBAT SERVICE SUPPORT**
- **ANALYZE SITUATION AND MAKE TACTICAL DECISIONS ON EMPLOYMENT OF ASSETS USING TLP'S, CDR'S INTENT, AND SITUATIONAL AWARENESS**
- **COMMUNICATE WITH BATTALION AS REQUIRED**
- **ISSUE CLEAR AND ACCURATE COMBAT ORDERS**



# XO RESPONSIBILITIES



- **COMPANY 2IC**
- **ASSISTS COMMANDER W/ MANEUVER, CS & CSS**
- **ASSUMES COMMAND AS REQUIRED**
- **PRIMARY COMMUNICATION LINK TO BATTALION**
- **CONSOLIDATES TACTICAL REPORTS**
- **MAY SERVE AS COMPANY COMMAND NCS**
- **CONDUCT COORDINATION WITH OTHER UNITS**
- **DISSEMINATED SITUATION REPORTS**
- **PRIMARY CSS PLANNER/COORDINATOR PRIOR TO THE BATTLE**





# 1SG RESPONSIBILITIES



- **CDR'S PRIMARY TACTICAL ADVISOR**
- **PRIMARY CSS EXECUTOR**
- **PLANS, REHEARSES, DIRECTS AND SUPERVISES MEDICAL EVACUATION, MAINTENANCE RECOVERY, AND RESUPPLY**
- **ASSISTS COMMANDER WITH SOLDIER AND UNIT MORALE AND DISCIPLINE**
- **LOGISTICALLY INTEGRATES ATTACHMENTS**
- **ANY OTHER TASKS GIVEN BY THE COMMANDER**
- **MAY BE LEADER OF CO/TM QTR PARTY**



# WAR FIGHTING FUNCTIONS

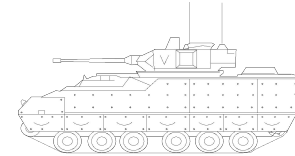


# FIRE SUPPORT



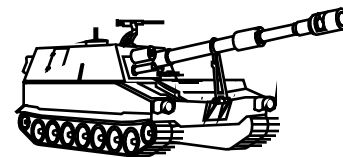
## FIRE SUPPORT TEAM

- 4-MAN TEAM - CHIEF, SGT, DVR, RTO
- B-FIST



## FIRE SUPPORT ASSETS

- BATTALION MORTAR PLATOON - 4x 120mm MORTAR, M1064A3
- FIELD ARTILLERY BATTALION (DS to BDE) – 16 x 155mm, M109 PALADIN





# MOBILITY/COUNTER-MOBILITY



## “HEAVY” ENGINEER ASSETS

- ACE
- ENGINEER SQUADS
- VOLCANO
- MOPMS

## “ORGANIC” ASSETS

- TANK PLOWS & ROLLERS
  - DISMOUNTED INFANTRY
- 
- **NEED HIGHER LEVEL SUPPORT FOR BRIDGE ASSETS**



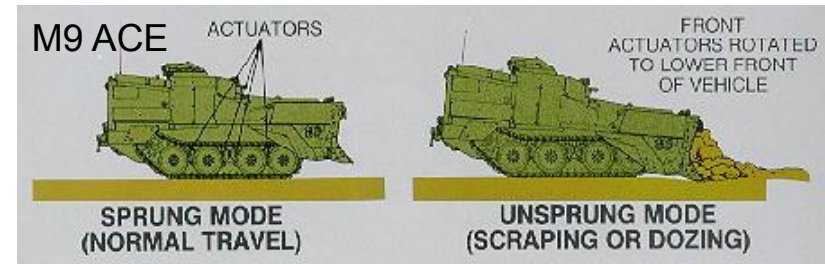
# PROTECTION



<http://www.wood.army.mil/Tact/Planning%20Factors%20Sheet.htm>

## ENGINEER SUPPORTING ASSETS

- M9 ACE
- SEE (Small Emplacement Excavator )
- DOZER (CORPS)



## NBC SUPPORTING ASSETS

- NBC RECON - FOX (DIVISION CHEMICAL COMPANY)
- SMOKE PLATOON - (DIVISION CHEMICAL COMPANY)
- DECON PLATOON - (DIVISION CHEMICAL COMPANY)
- SANATOR (BATTALION SUPPORT PLATOON)

## ORGANIC ASSETS

- E-TOOLS & D-HANDLE SHOVELS
- NBC OFFICER & NCO
- INDIVIDUAL DECON & OPERATOR SPRAY DOWN



# INTELLIGENCE



## SUPPORTING

**ARMORED RECON SQUADRON (ARS)**

**BN SCOUT PLATOON**

**GROUND SURVEILLANCE RADAR(MOVING TARGET INDICATORS)**

**- AN/PPS-5M (personnel - 6000m, vehicles - 10000m)**

## ORGANIC

**OPs (MOUNTED & DISMOUNTED)**

**PATROLS (MOUNTED & DISMOUNTED)**

**SPECIAL OBSERVATION EQUIPMENT (TUAV RAVEN SYSTEMS ARE PART OF COMPANY MTOE)**





# MEDICAL (MECH/ARMOR CO)



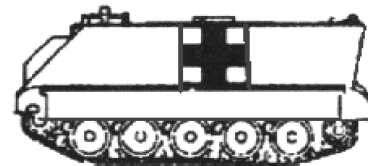
## COMBAT MEDICS (MEDICAL PLATOON)

3x COMBAT MEDICS

## AMBULANCE SQUAD (MEDICAL PLATOON)

CO NORMALLY RECEIVES ONE  
AMBULANCE(M113A3)

AID/EVAC NCO  
AID/AMBULANCE  
DRIVERx2



## ORGANIC MEDICAL ASSETS

COMBAT LIFESAVERS  
BUDDY AID  
EVACUATION BY NON-STANDARD MEANS

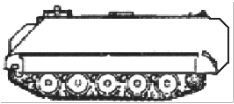




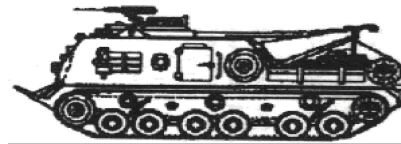
# MAINTENANCE (MECH/ARMOR CO)



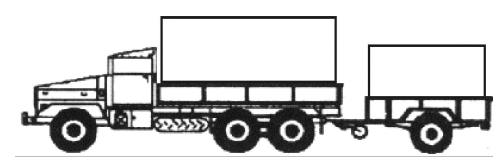
## RIFLE/ARMOR COMPANY MAINTENANCE TEAM (MAINTENANCE PLATOON/from the FSB)



TEAM CHIEF  
TURRET MECHANIC  
AUTOMOTIVE MECHANIC  
SIGNAL REPAIR SPC



BFV/TANK SYSTEM  
MECHANIC  
RECOVERY NCO  
RECOVERY SPECIALIST



BFV/TANK SYSTEM  
MECHANIC  
AUTOMOTIVE MECHANIC

## SIGNAL SUPPORT (COMMUNICATIONS SECTION)

SIGNAL NCO

## ORGANIC MAINTENANCE ASSETS

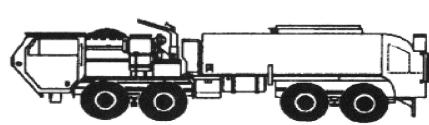
OPERATORS/LEADERS  
MASTER GUNNERS  
COMPANY ARMORER



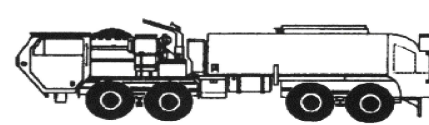
# SUPPLY (MECH/ARMOR CO)



## “TYPICAL” SUPPORT PACKAGE FOR MECH COMPANY FROM THE SUPPORT PLATOON

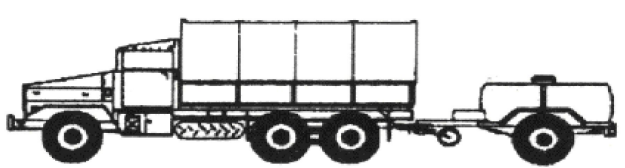


**SQUAD LEADER  
DRIVER**

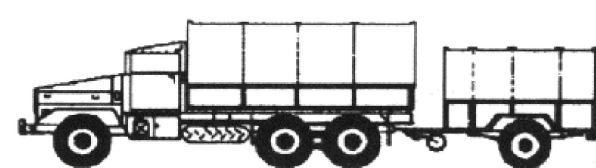


**DRIVER  
DRIVER**

## ORGANIC SUPPLY (COMPANY HEADQUARTERS SECTION)



**SUPPLY SERGEANT**

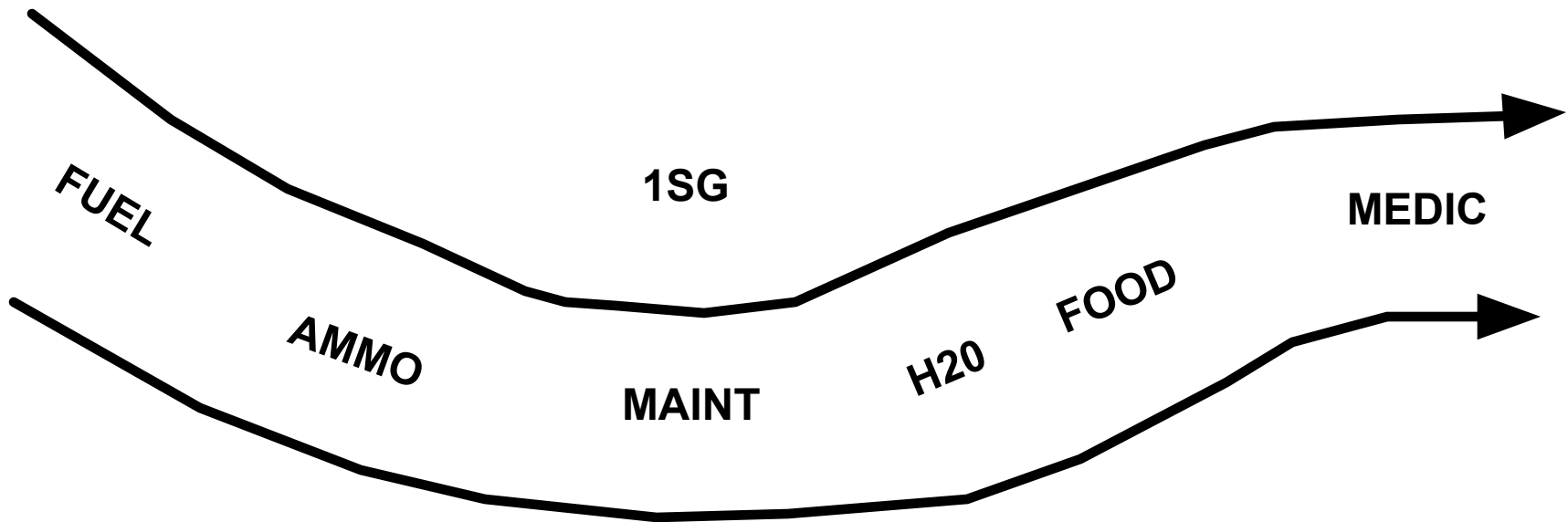


**COMPANY ARMORER**



# CO/TM SERVICE STATION (EXAMPLE)

- 1SG DIRECTS
- EXECUTE BY PLT, SEC, OR VEHICLE TYPE
- AMMO, H2O, & MEDICAL DISPATCHED FORWARD





# QUESTIONS??