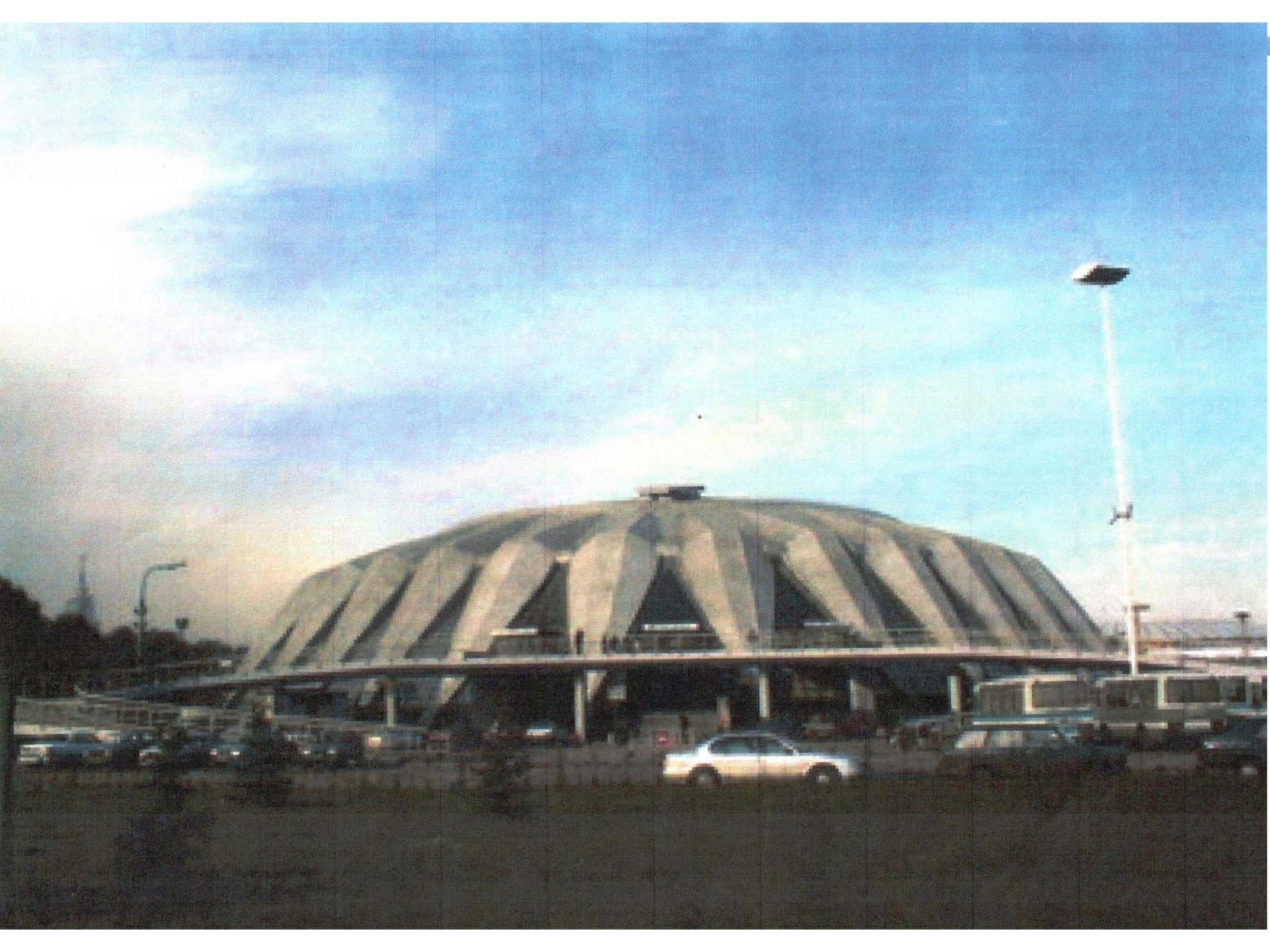




© Marina Lystseva

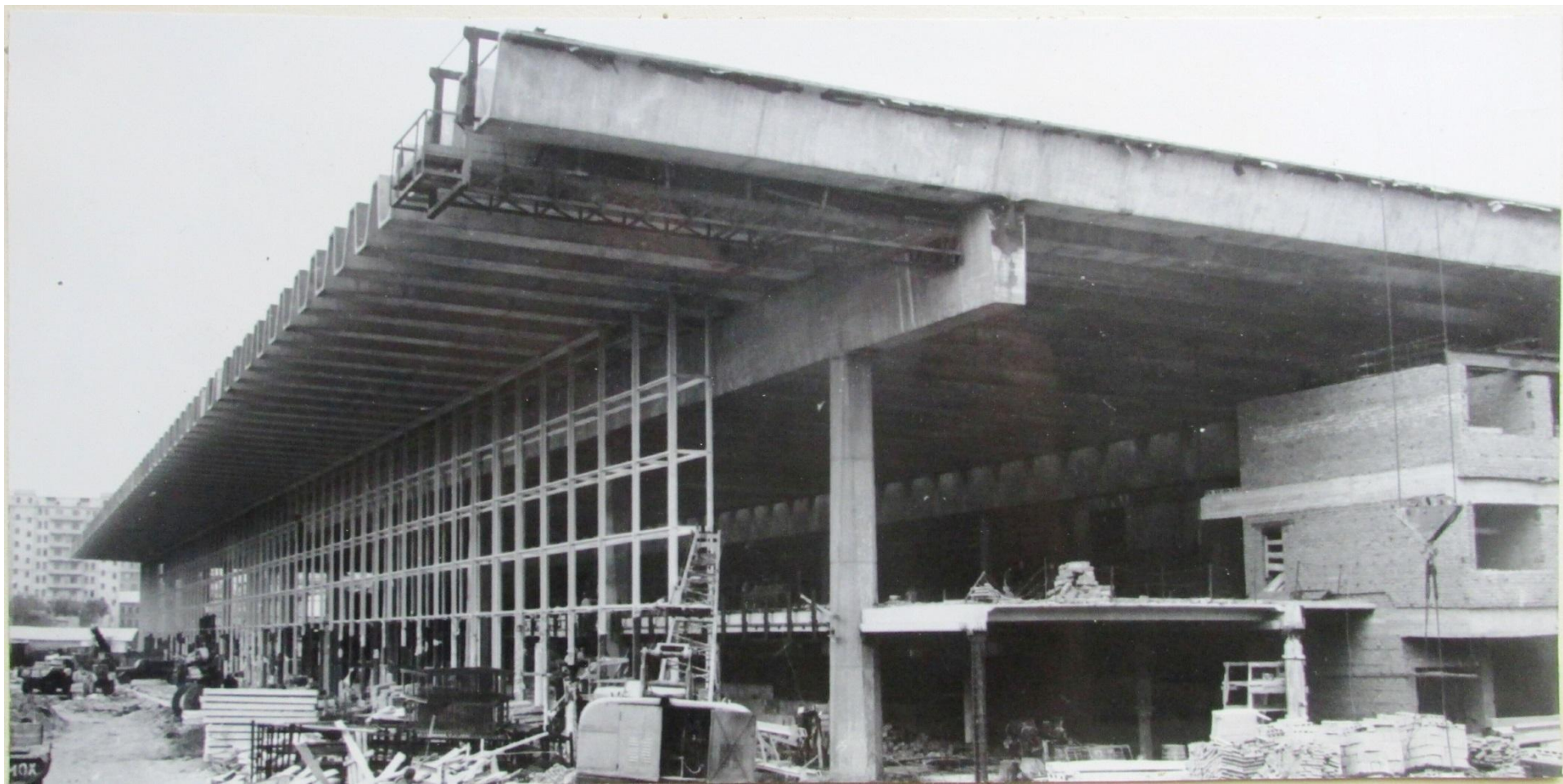
© Marina Lystseva



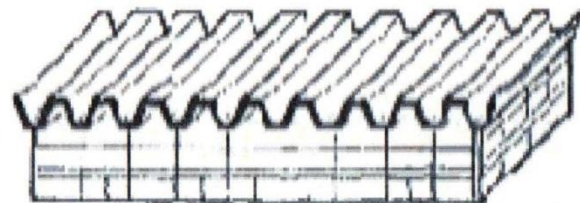
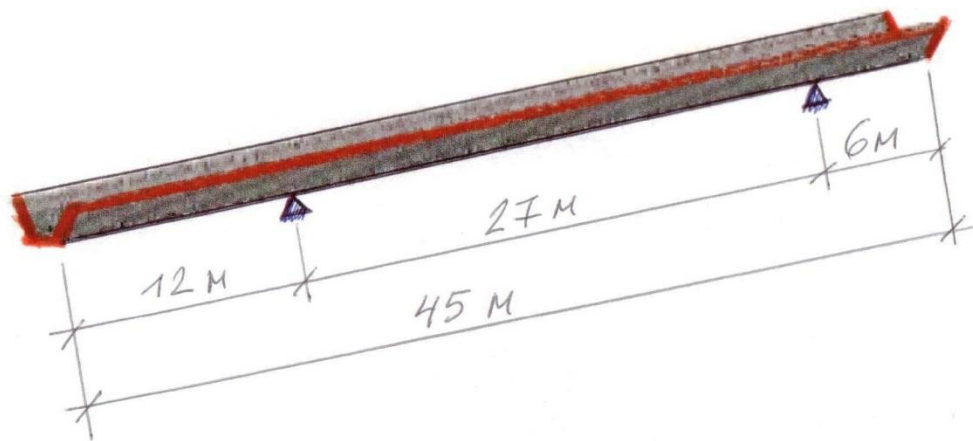
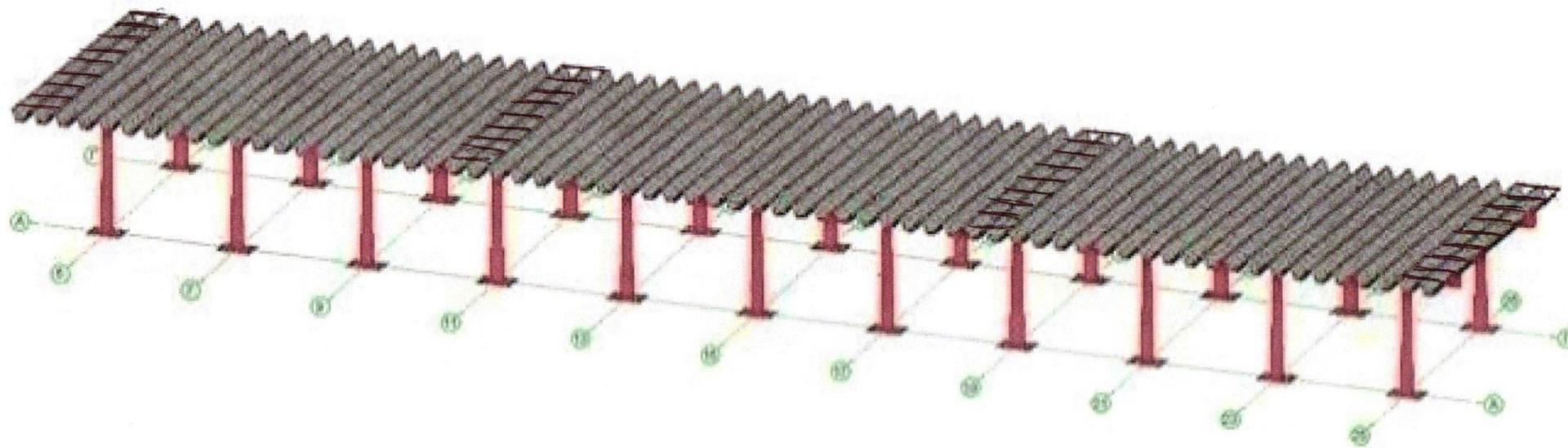


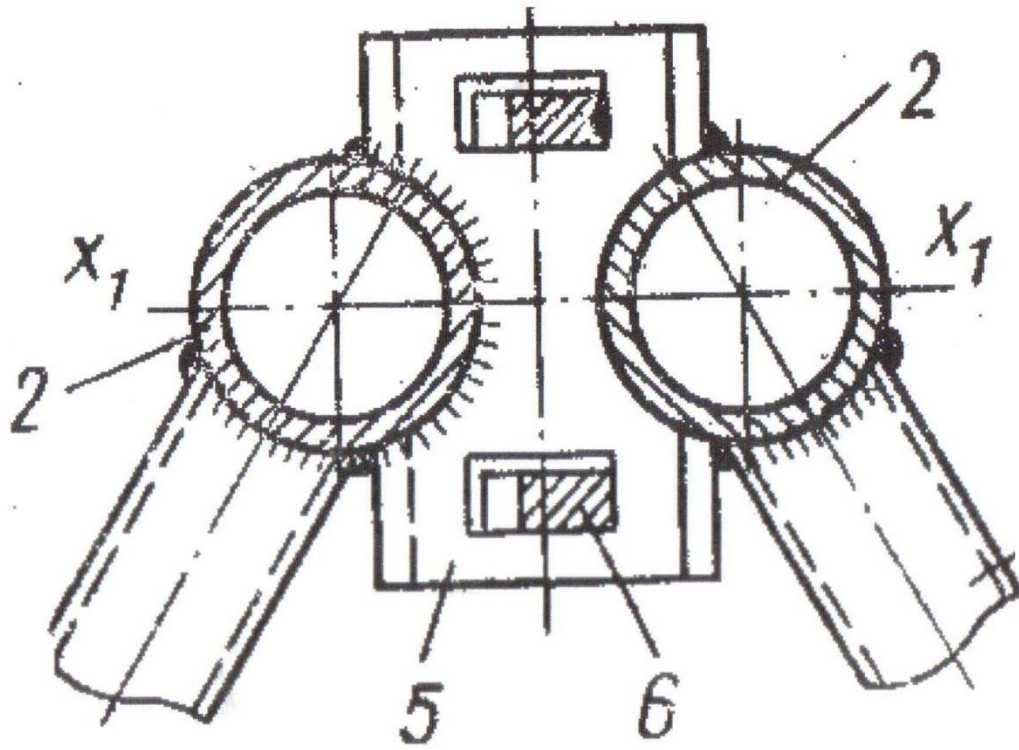
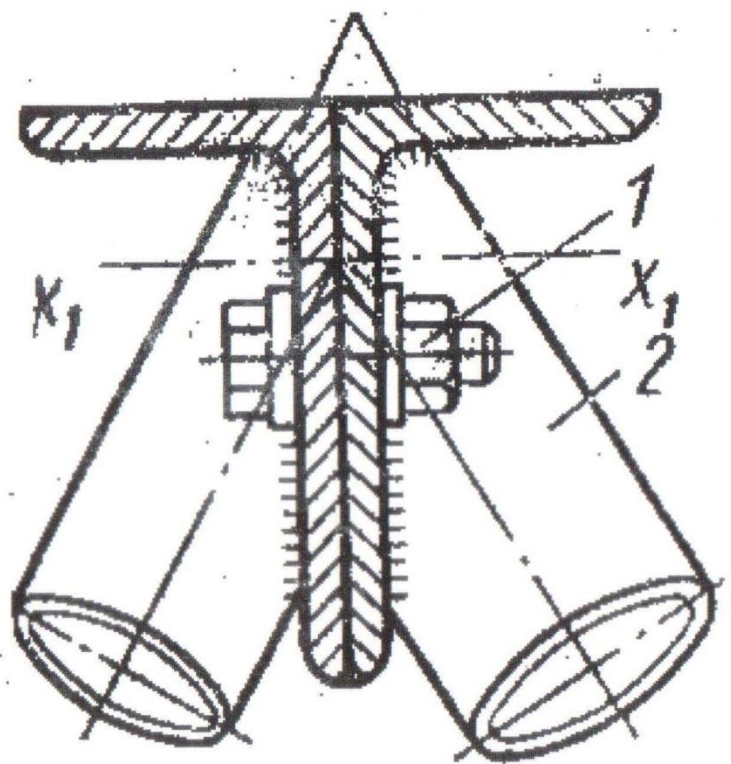


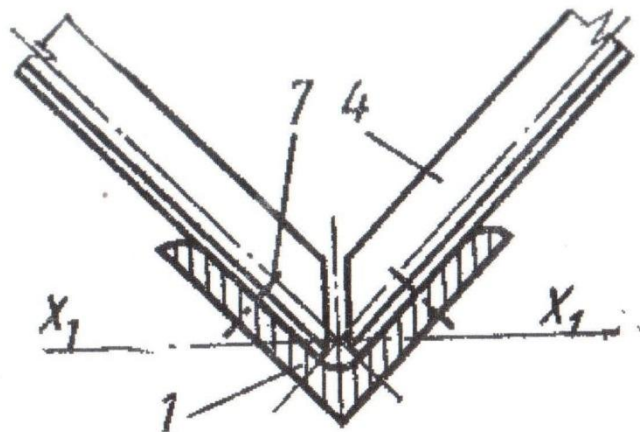
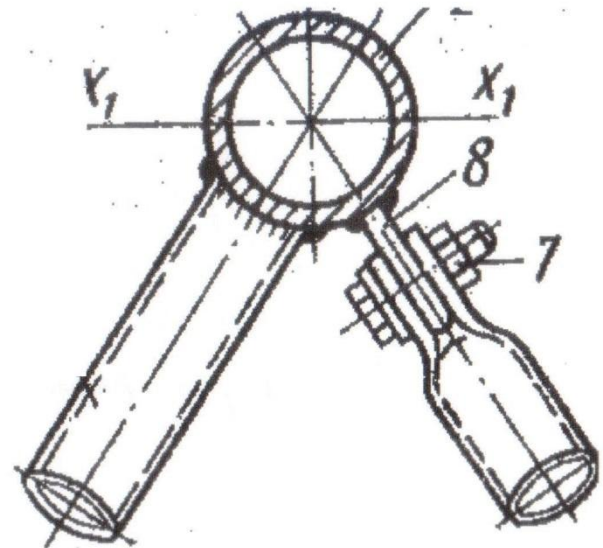
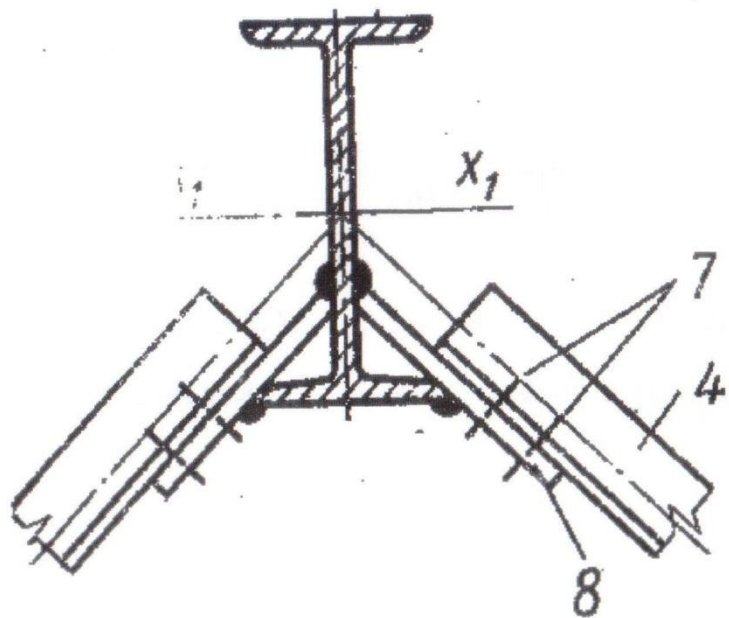


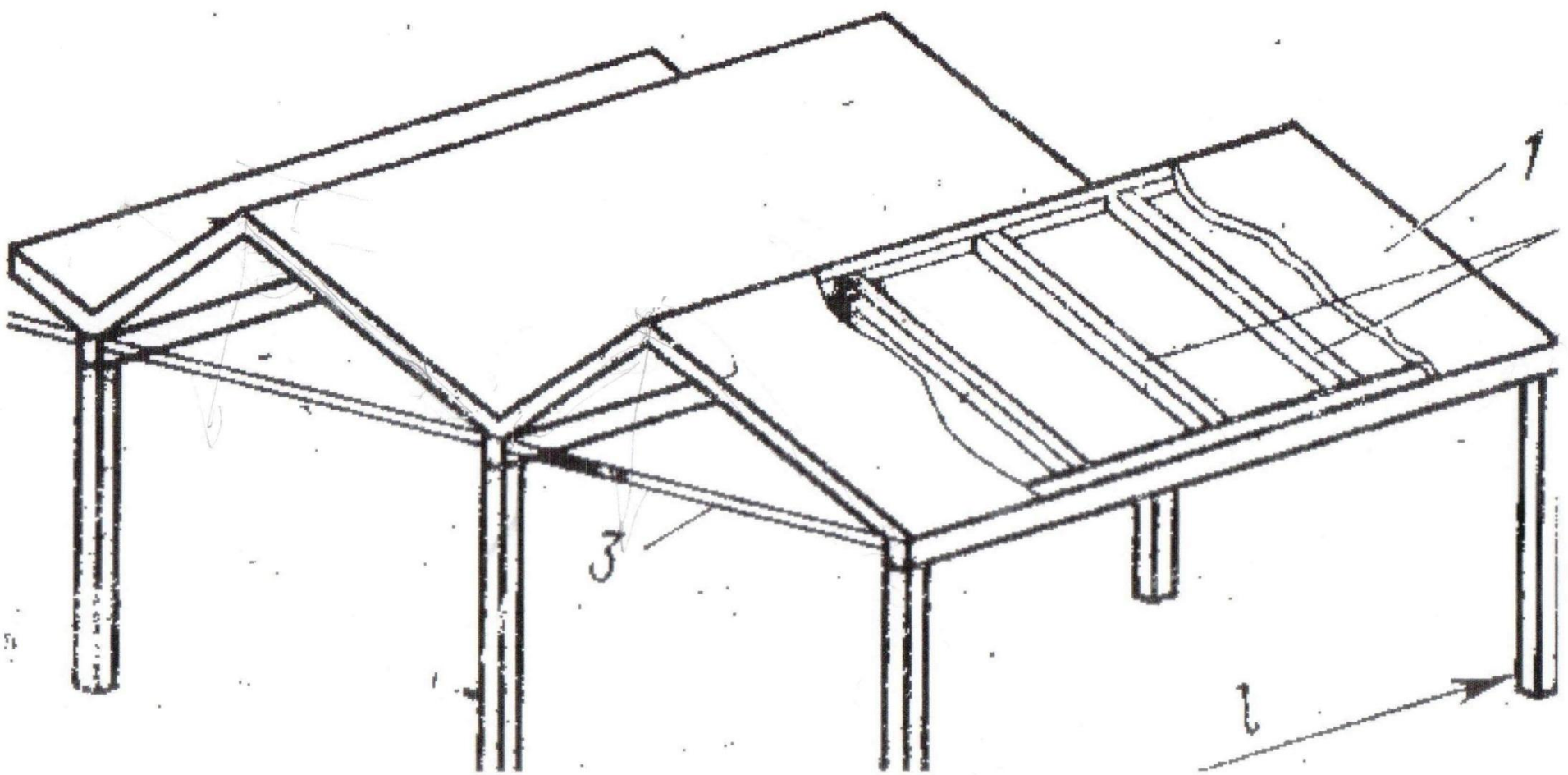


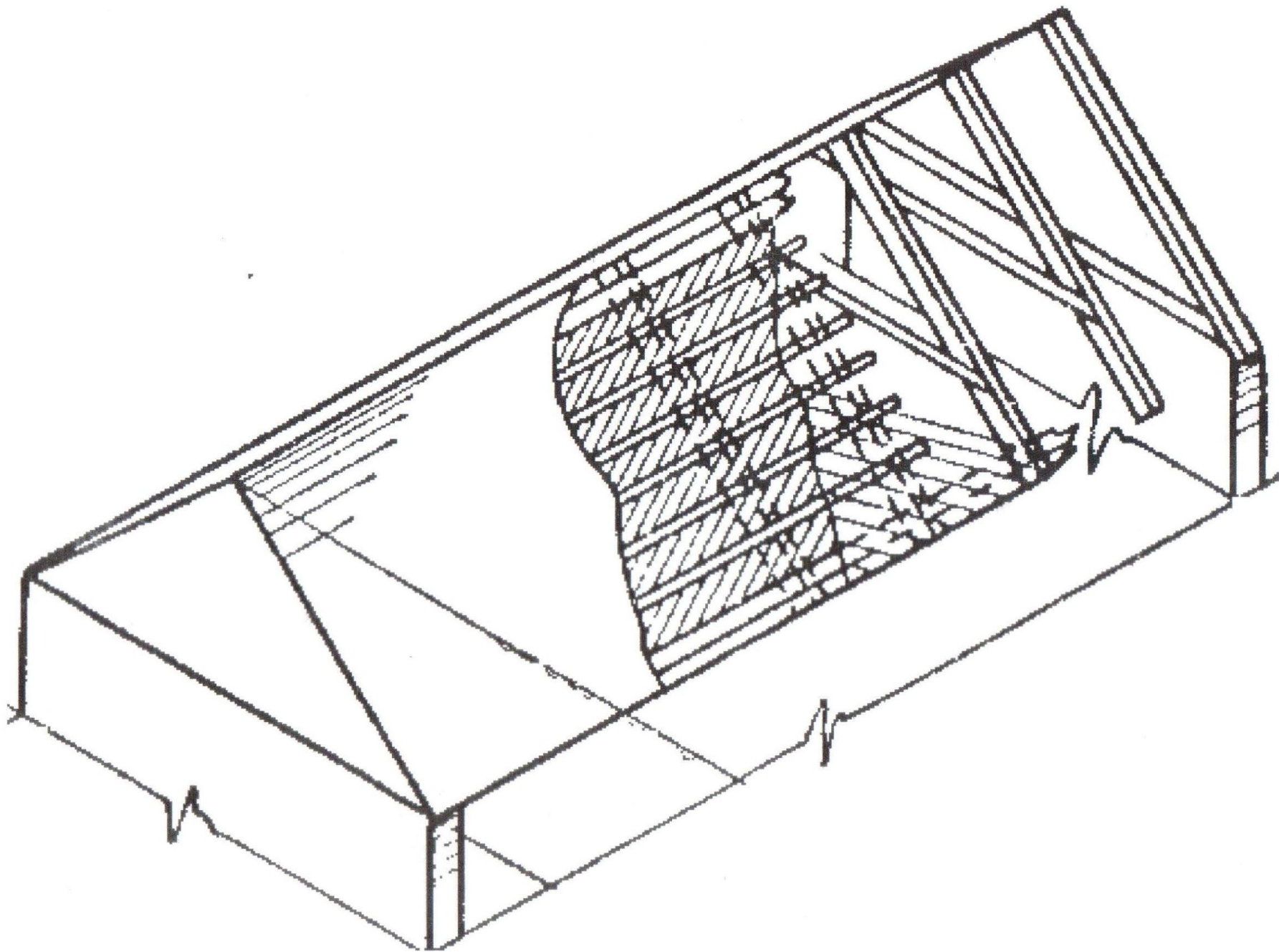


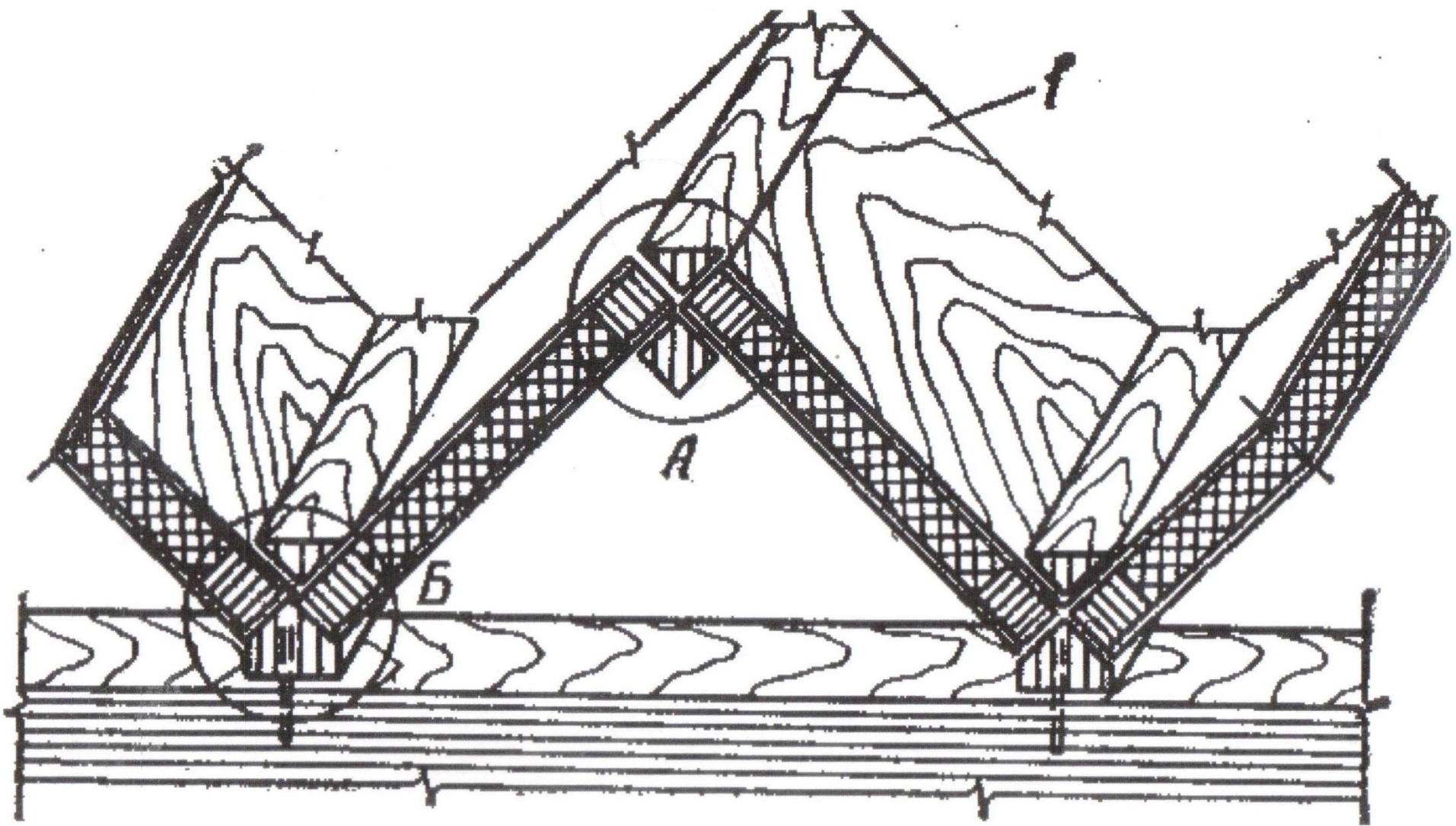


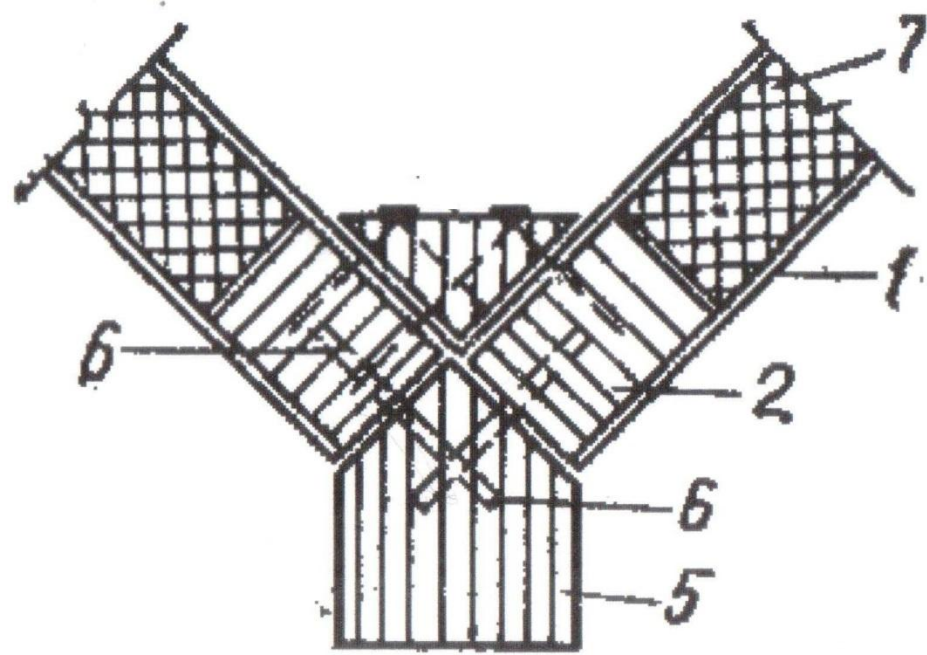
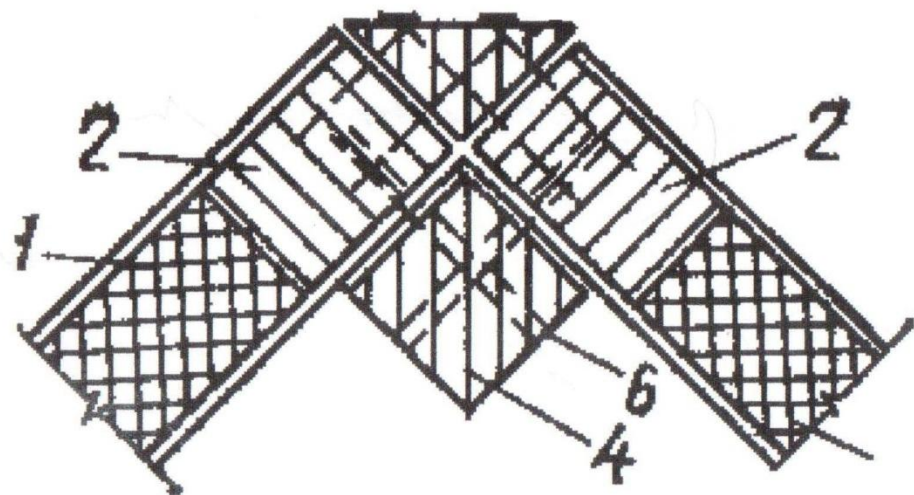


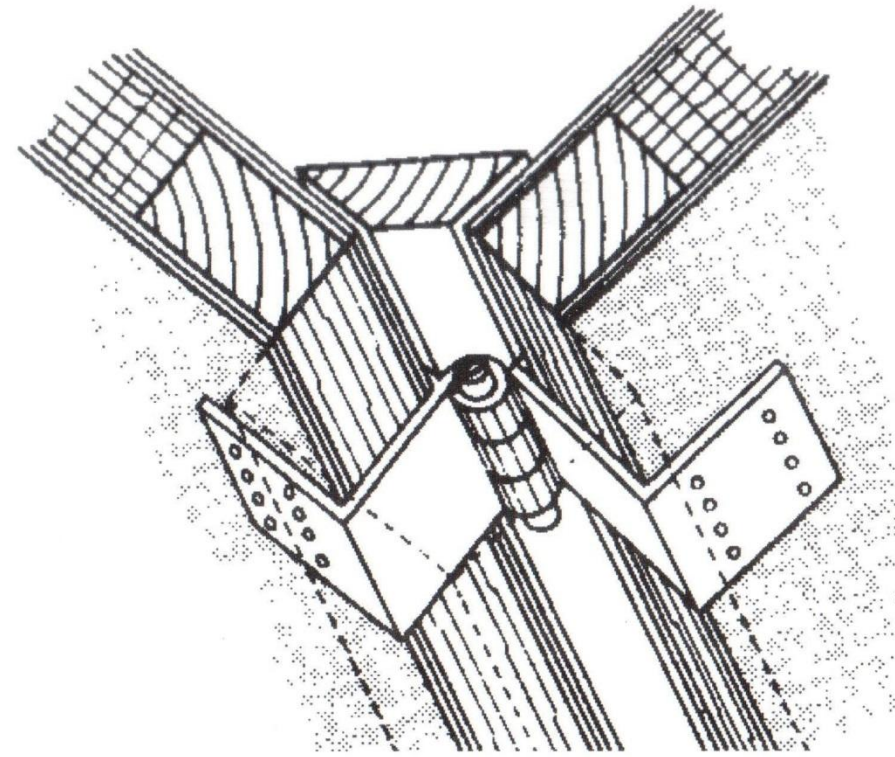
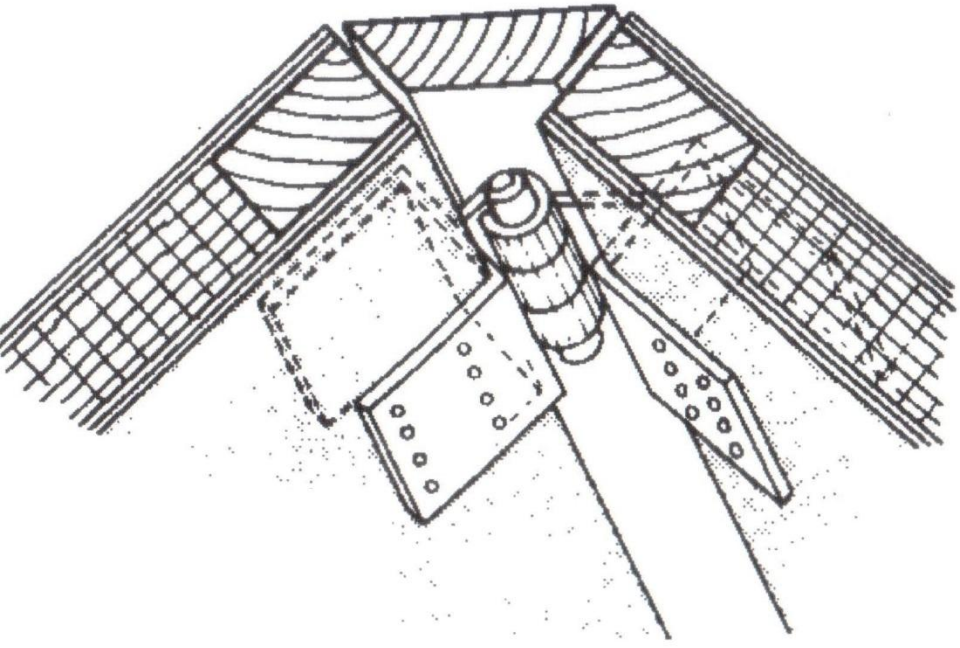


























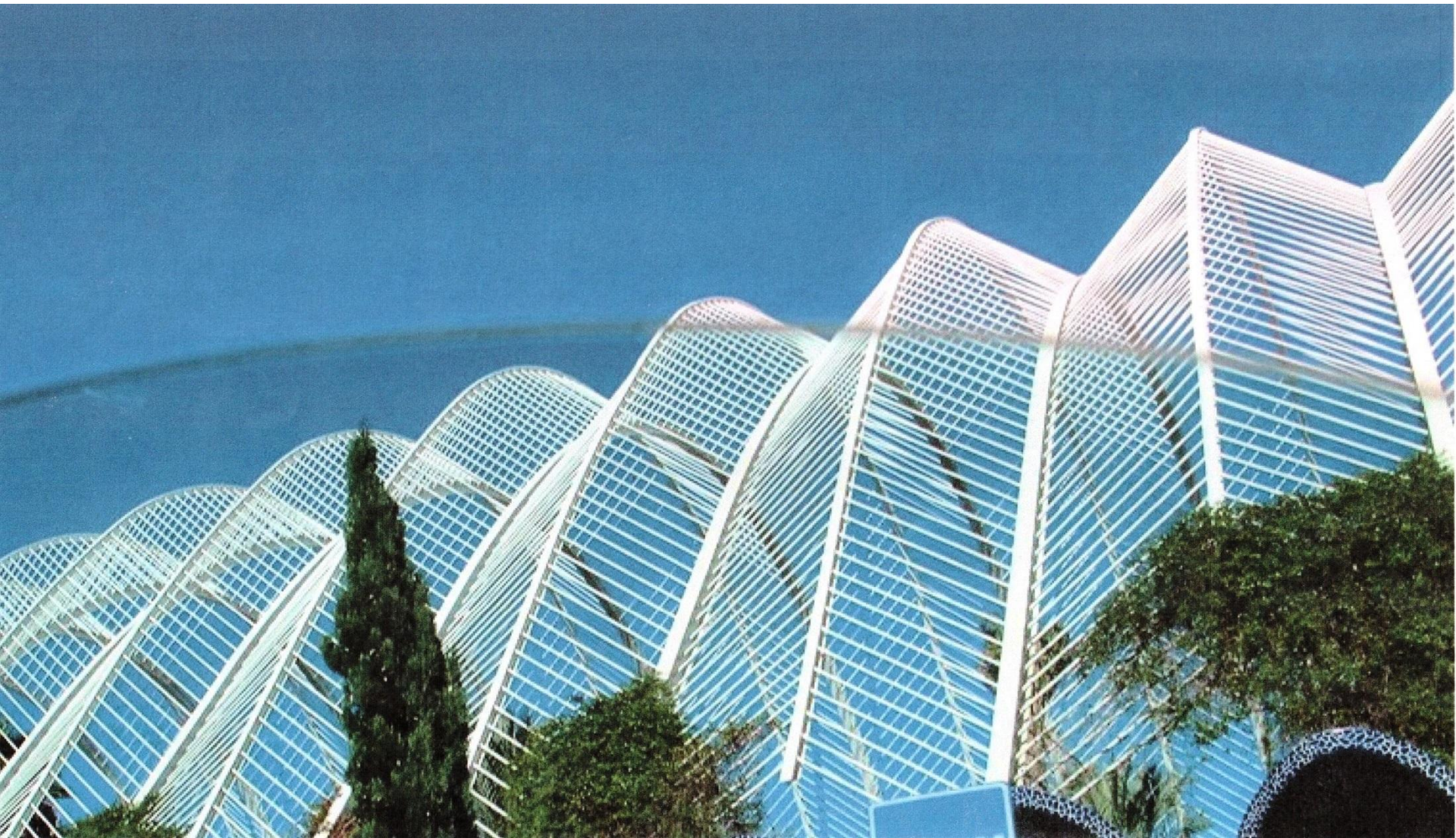








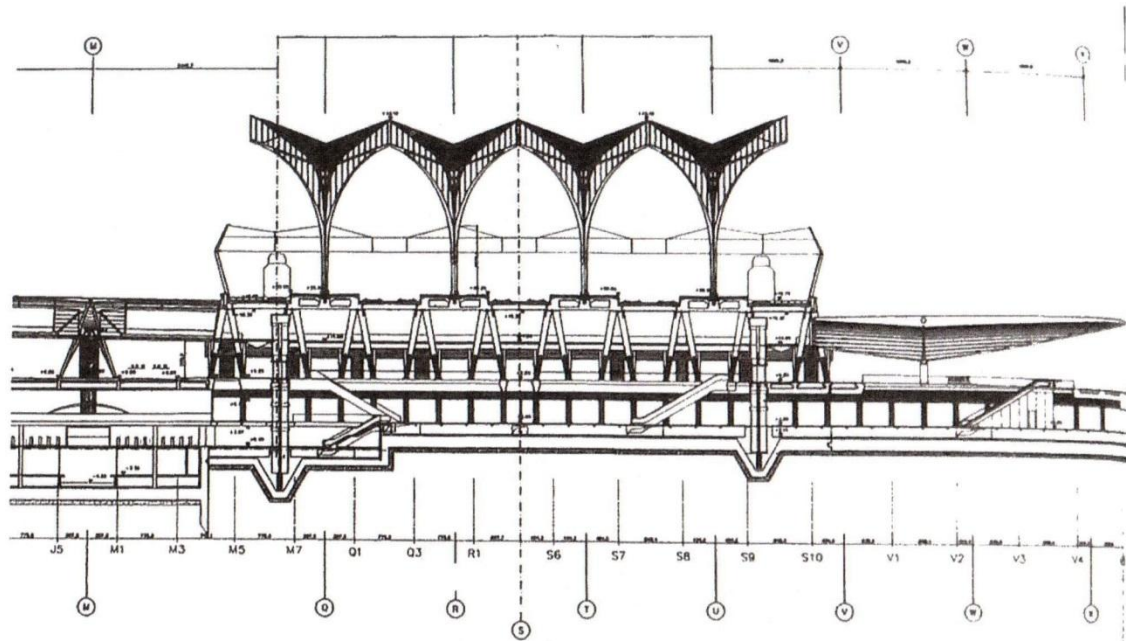
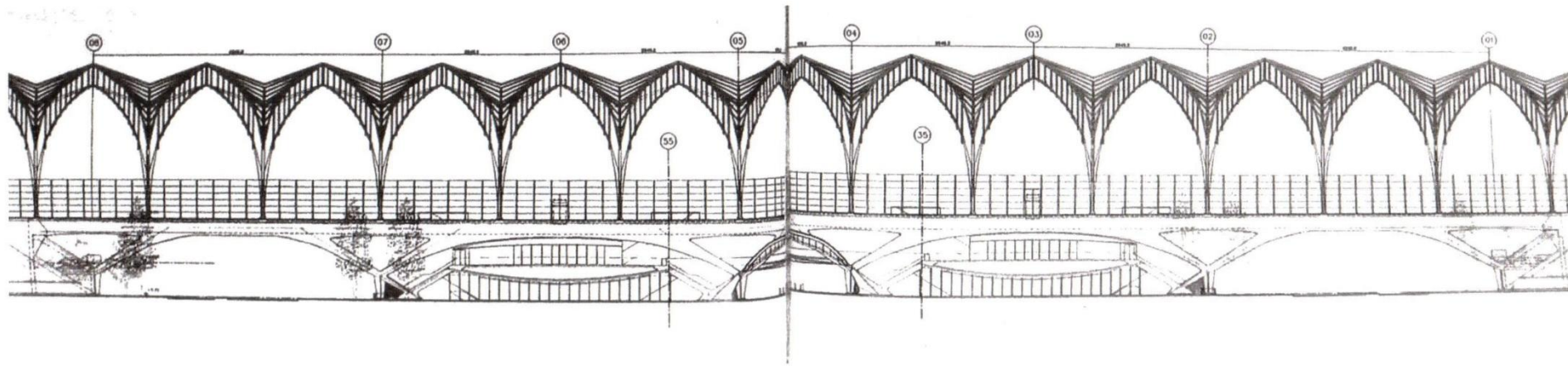








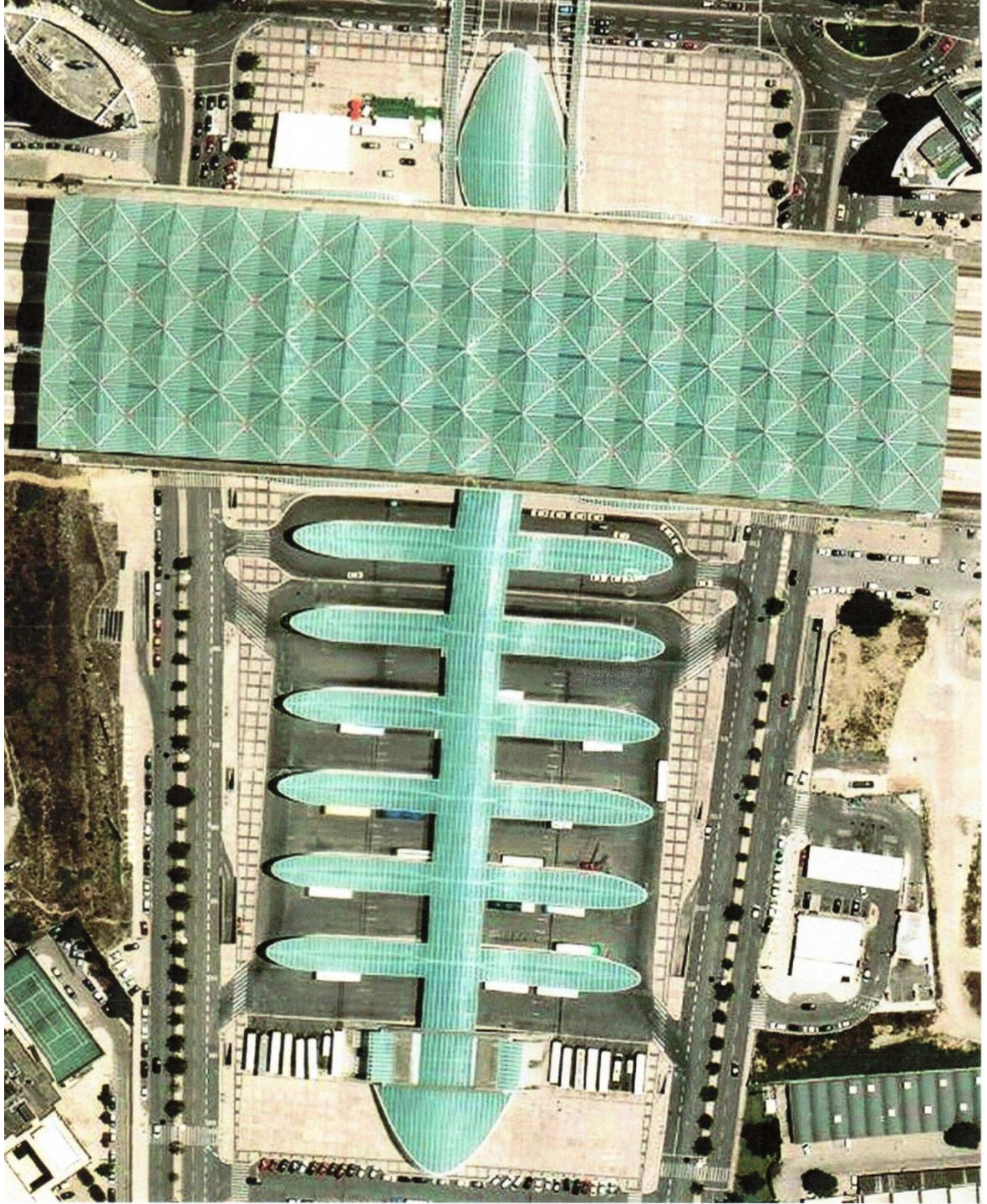






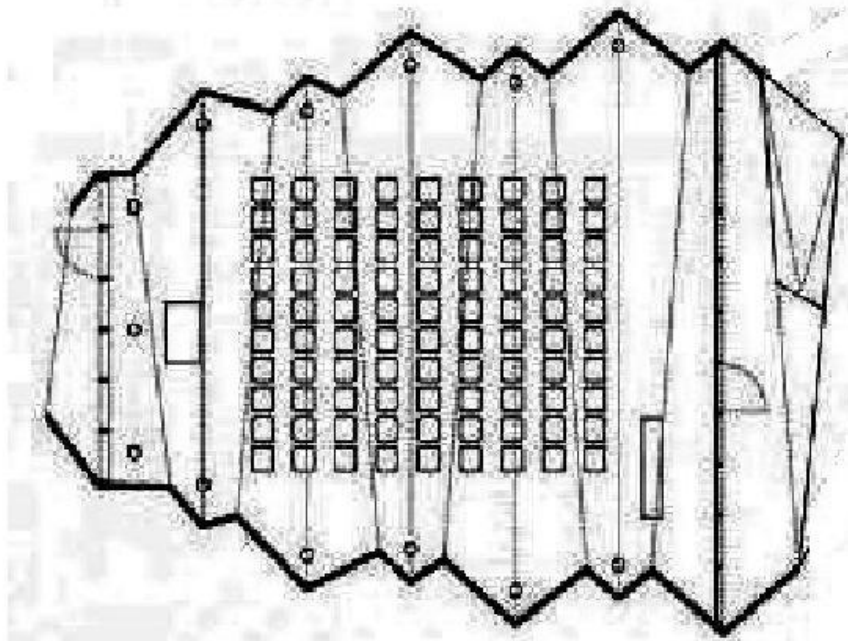












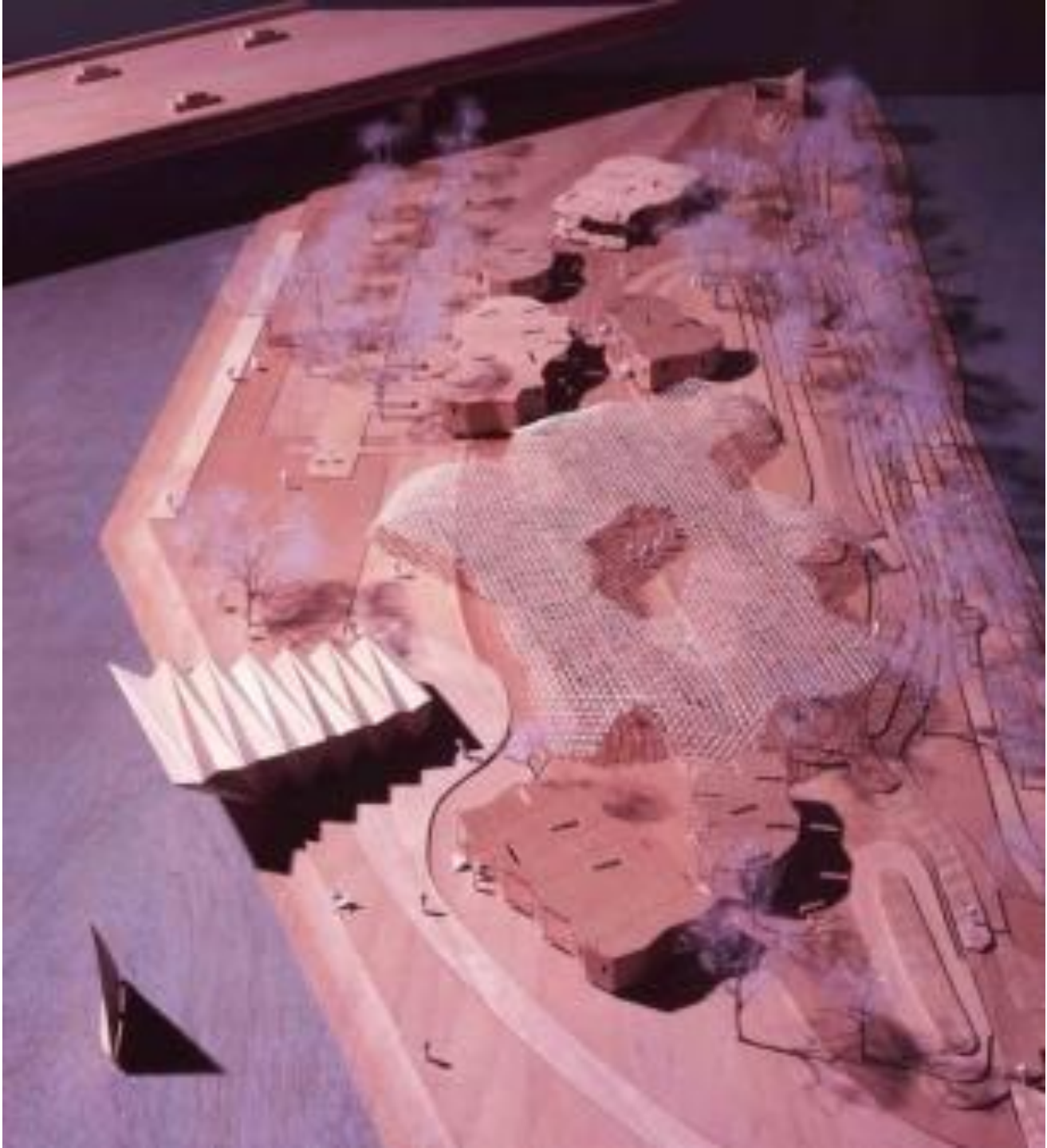






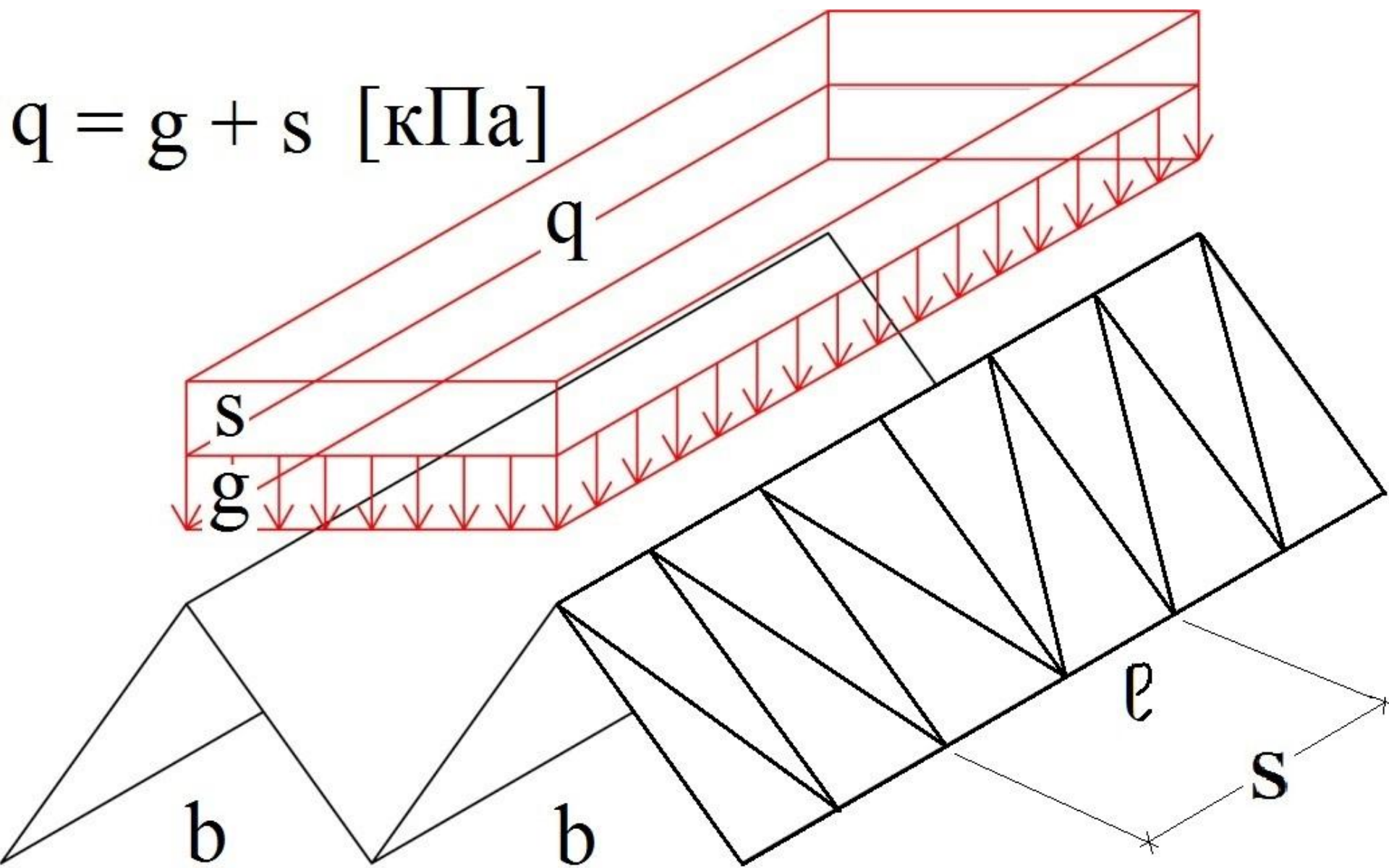


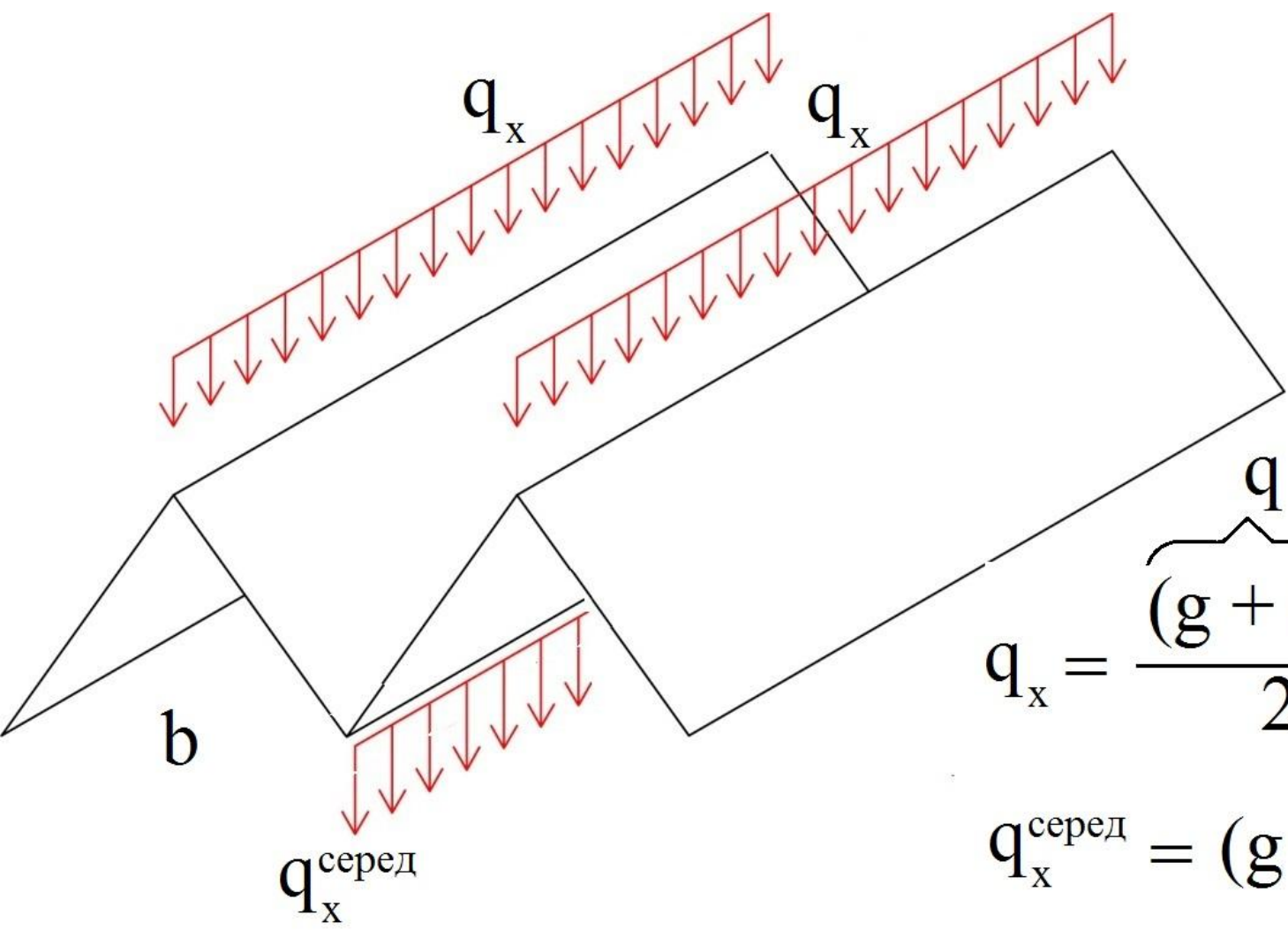






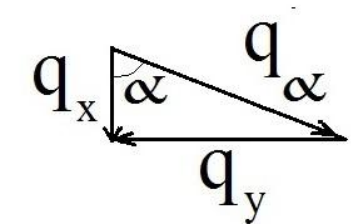
$$q = g + s \text{ [кПа]}$$





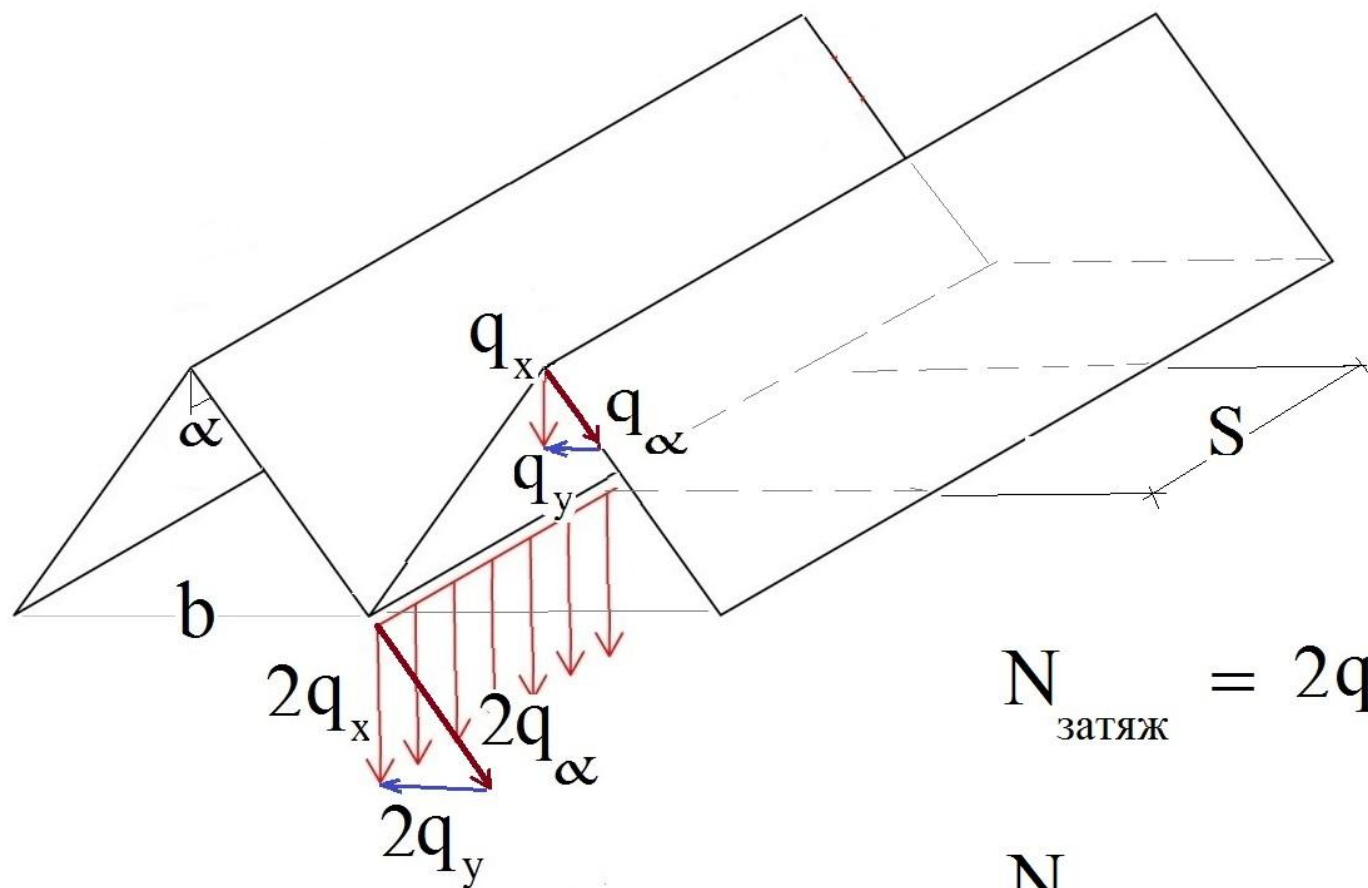
$$q_x = \frac{\overbrace{(g + s) b}^q}{2}$$

$$q_x^{\text{серед}} = (g + s) b = 2 q_x$$



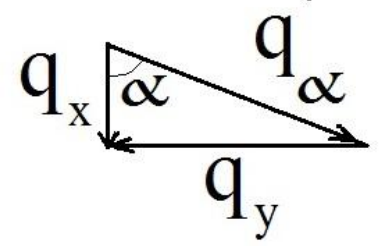
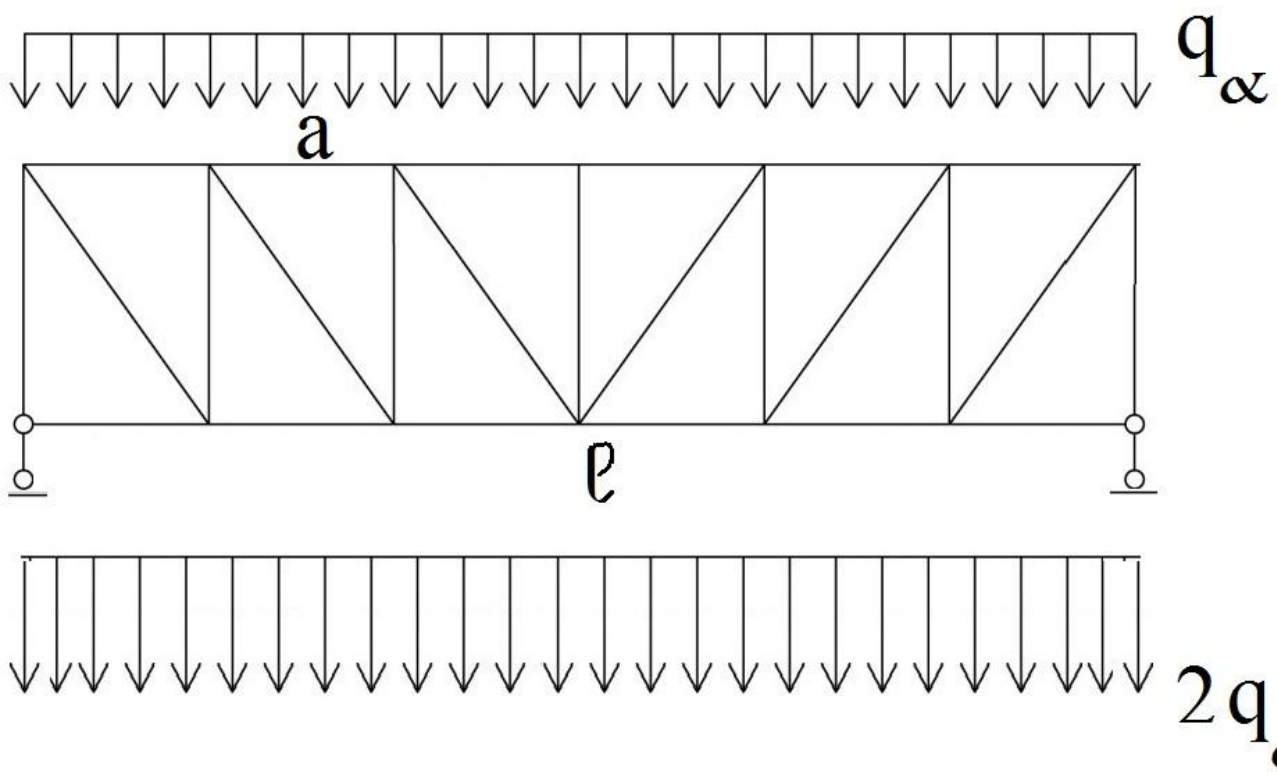
$$q_\alpha = \frac{q_x}{\cos \alpha}$$

$$q_y = q_x \operatorname{tg} \alpha$$



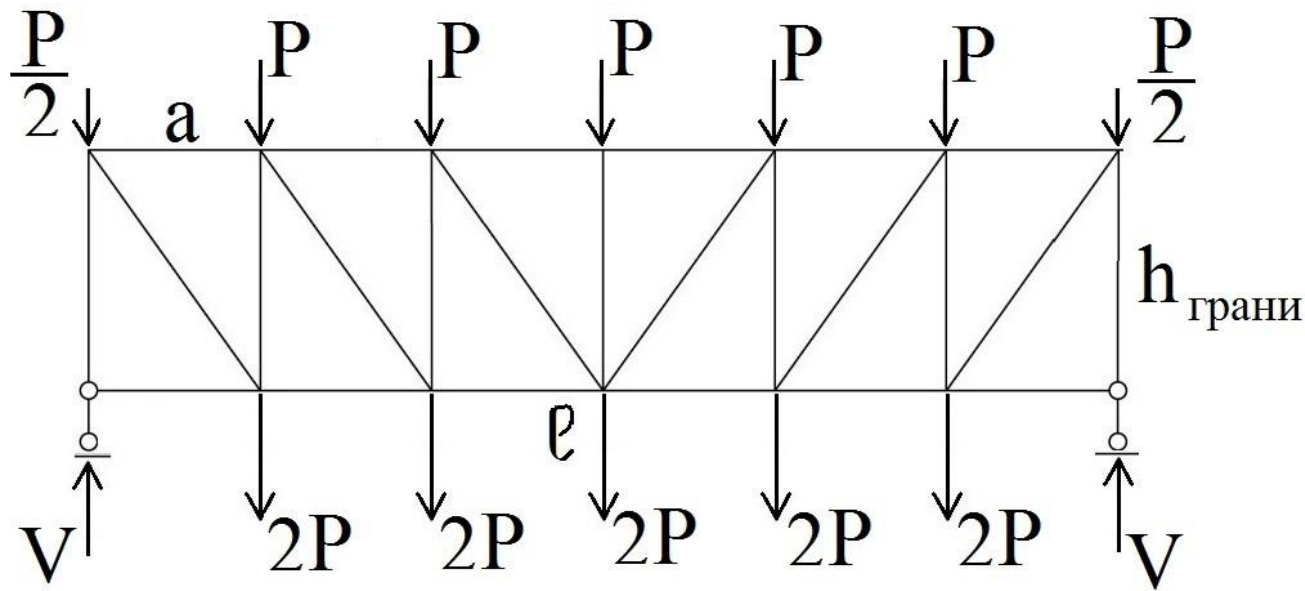
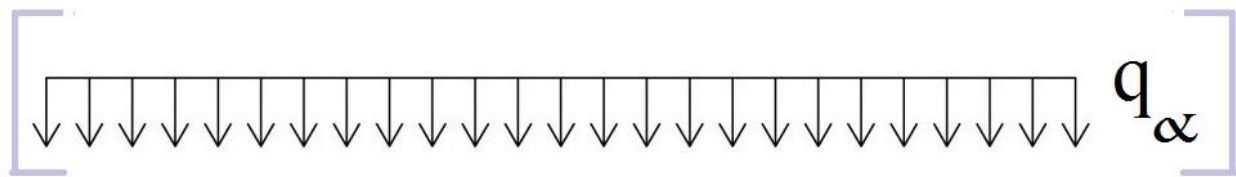
$$N_{\text{затяж}} = 2q_y S$$

$$\frac{N_{\text{затяж}}}{A_{\text{затяж}}} \leq R_y \delta_c$$



$$q_\alpha = \frac{q_x}{\cos \alpha}$$

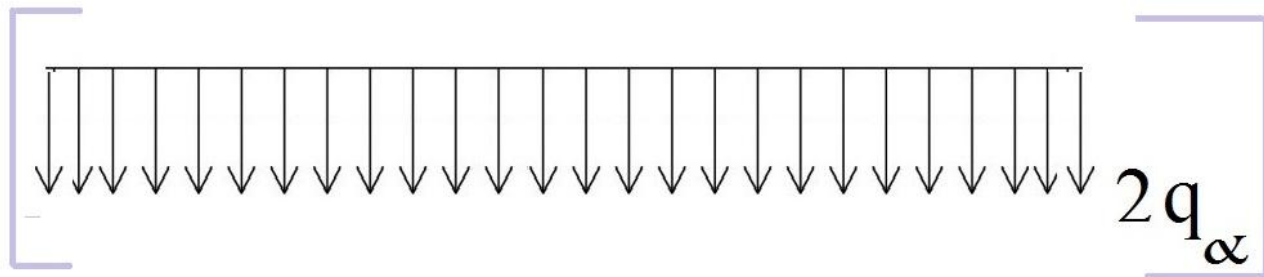
$$q_y = q_x \tan \alpha$$



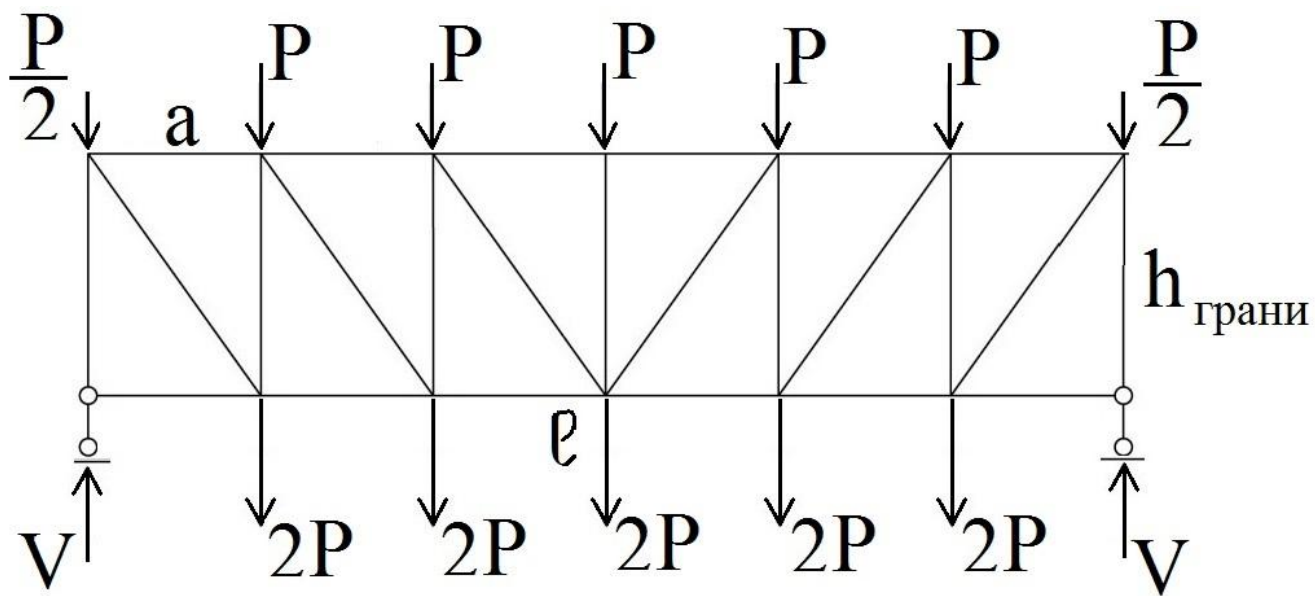
$$P = q_\alpha a$$

$$V = q_\alpha \frac{l}{2}$$

$$h_{\text{грани}} = \frac{b}{2 \sin \alpha}$$







$$P = q_{\alpha} a$$

$$V = q_{\alpha} \frac{l}{2}$$

$$h_{\text{грани}} = \frac{b}{2 \sin \alpha}$$