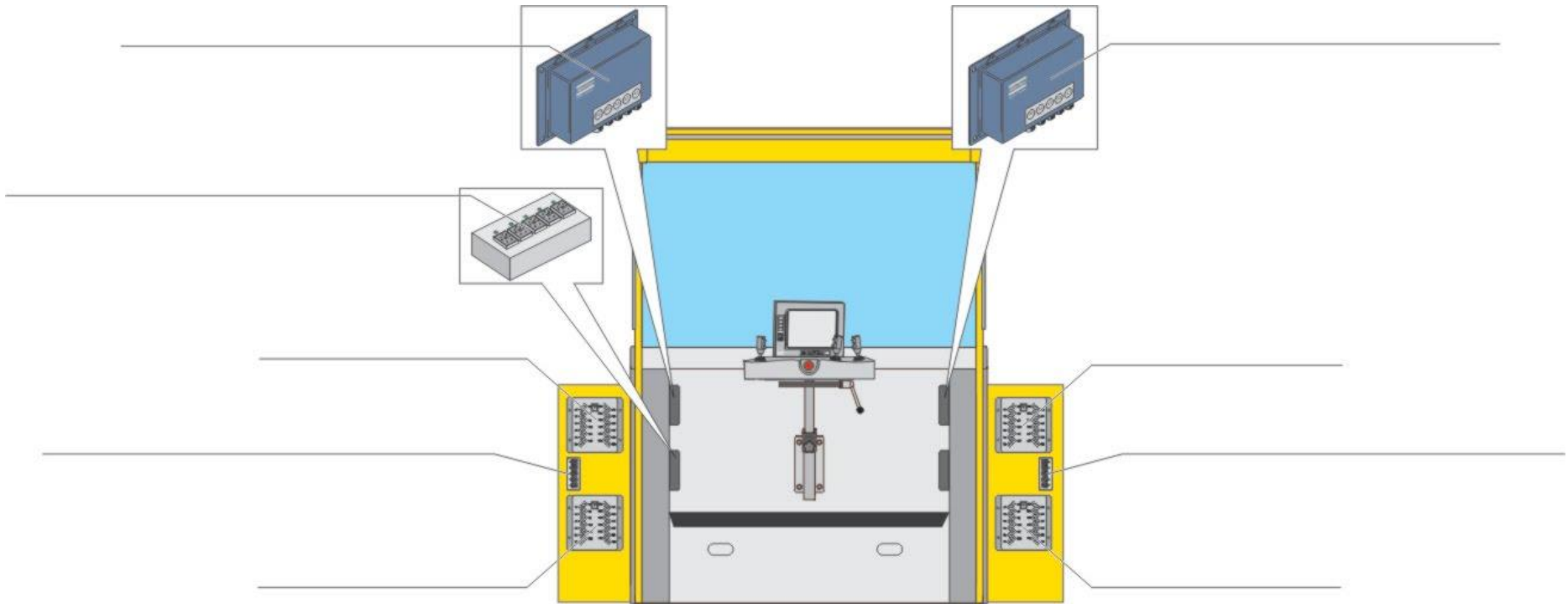


RCS Component location

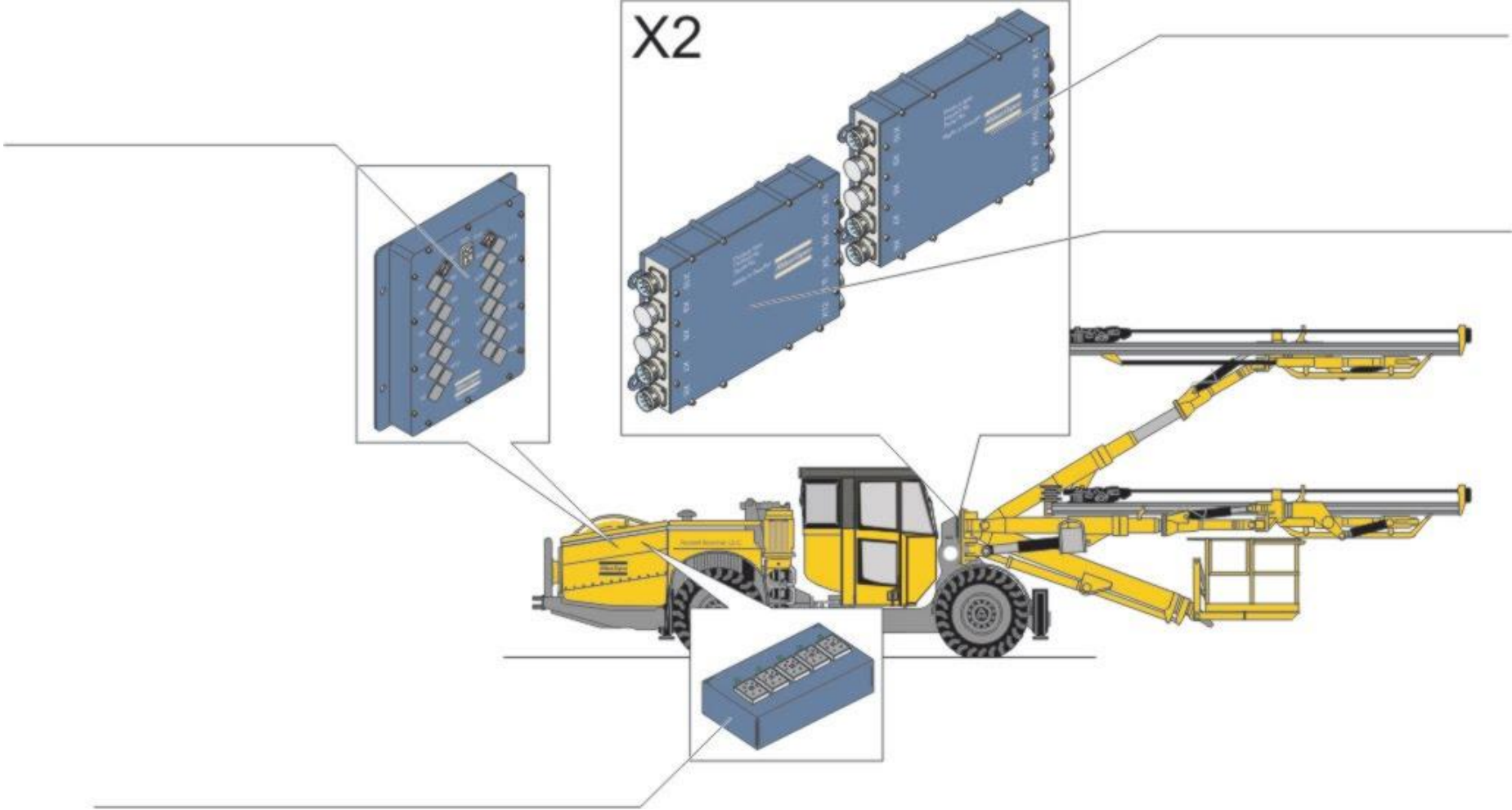


Exercise - Boomer

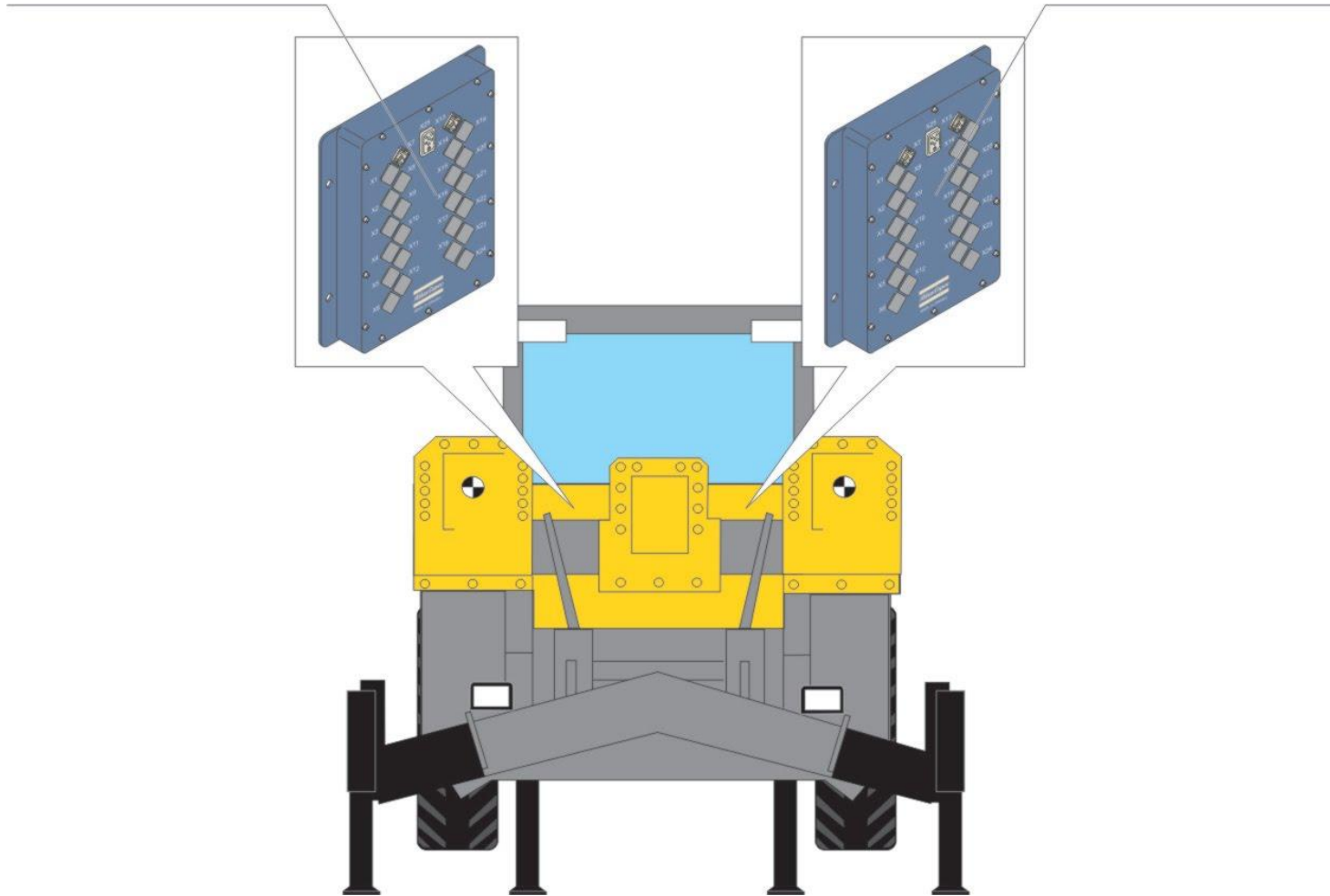
CANBUS Component location



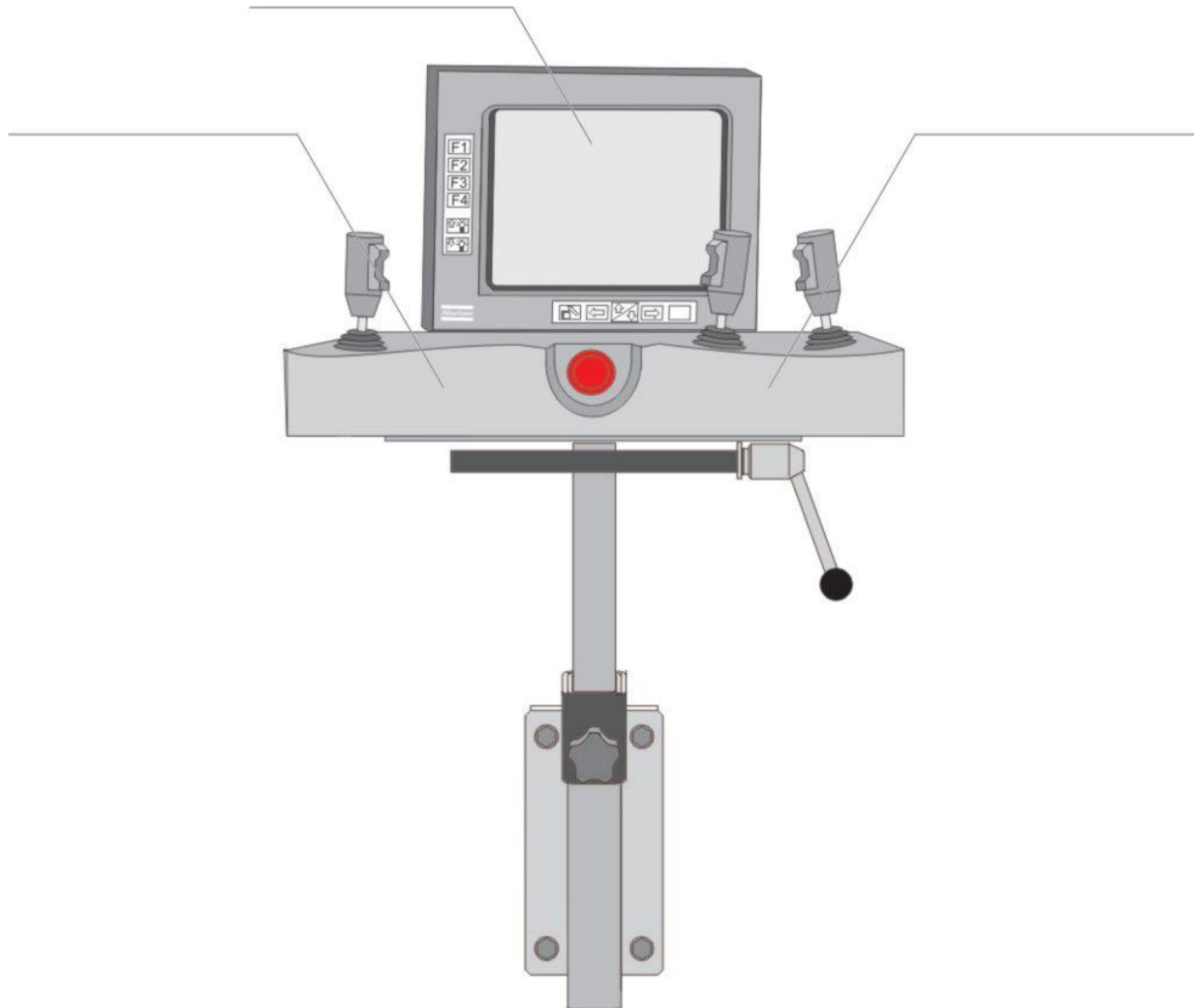
CANBUS Component location



CANBUS Component location

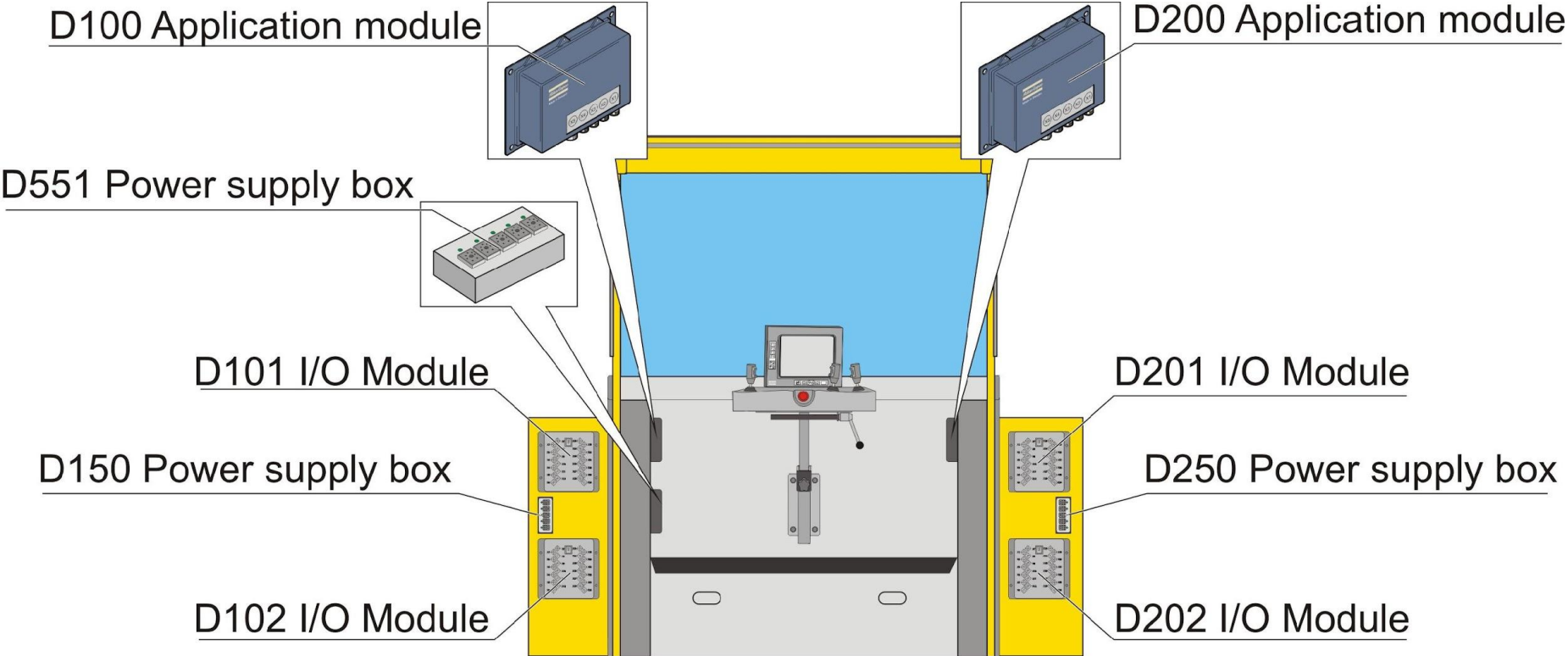


CANBUS Component location

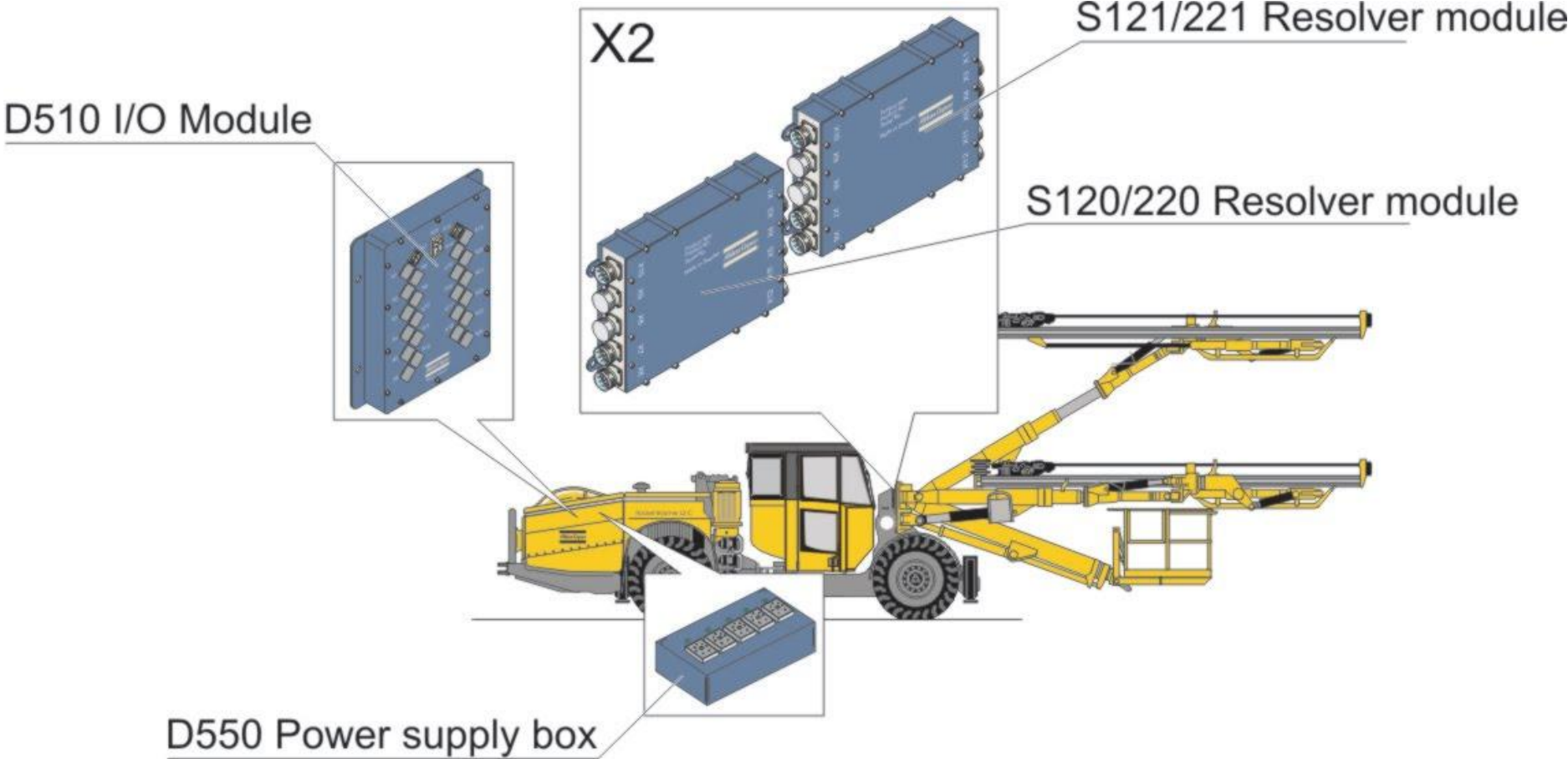


Correct Answers

CANBUS Component location



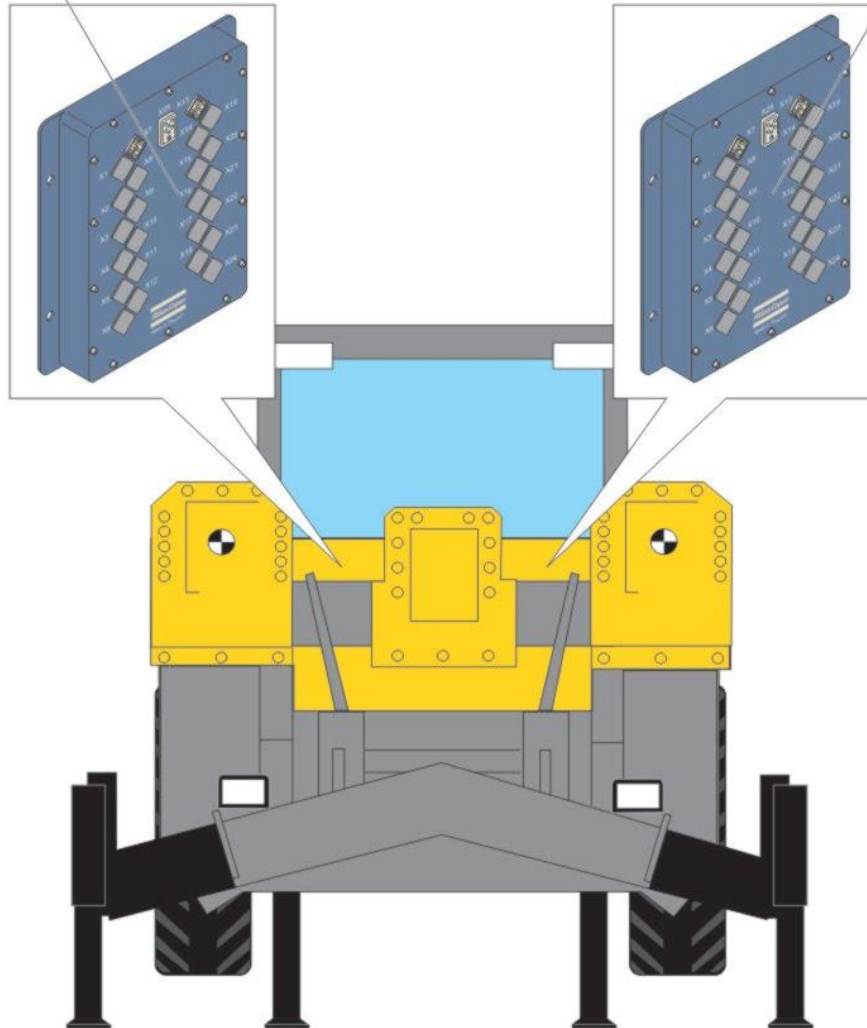
CANBUS Component location



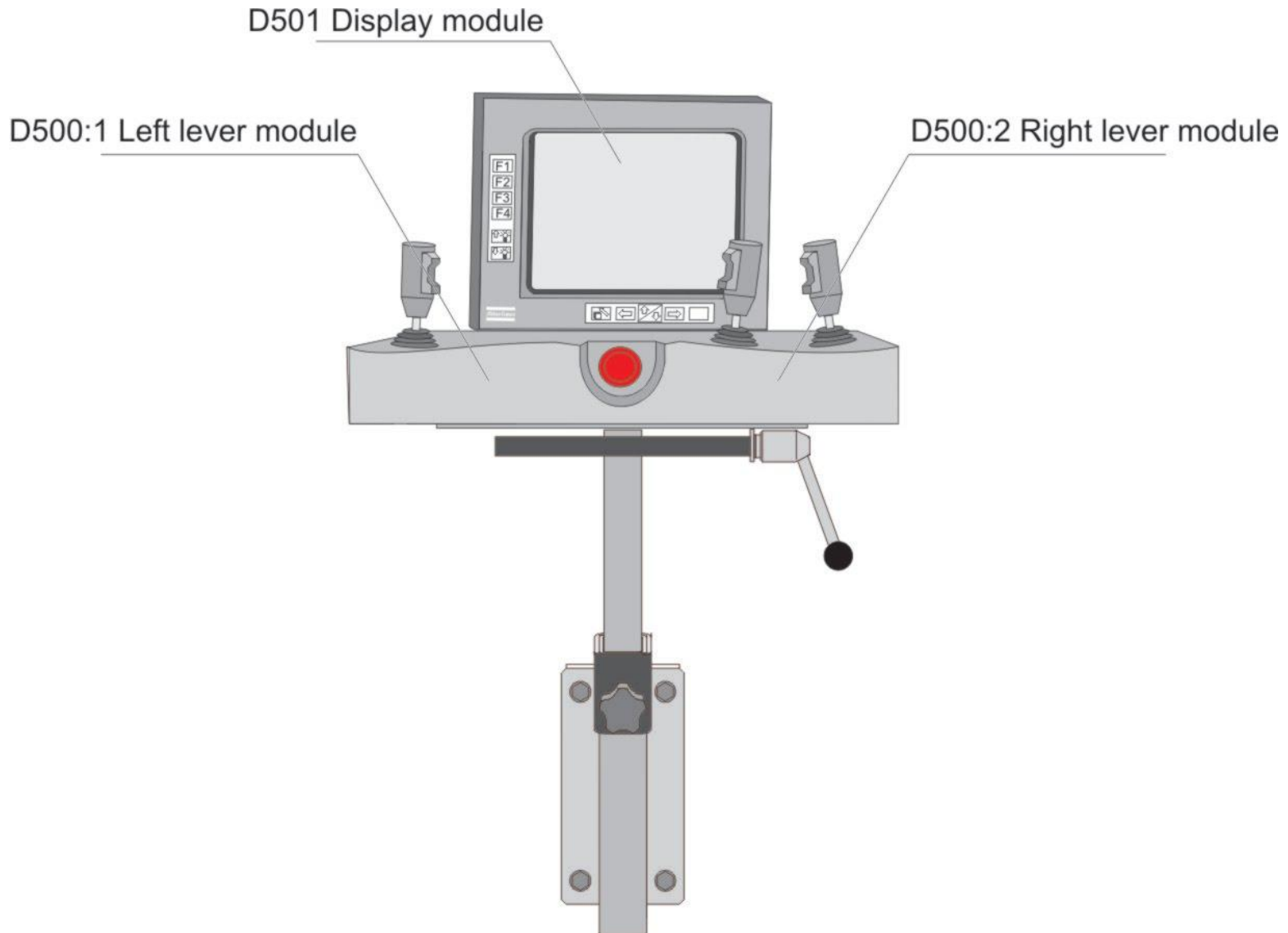
CANBUS Component location

D203 I/O Module

D103 I/O Module



CANBUS Component location

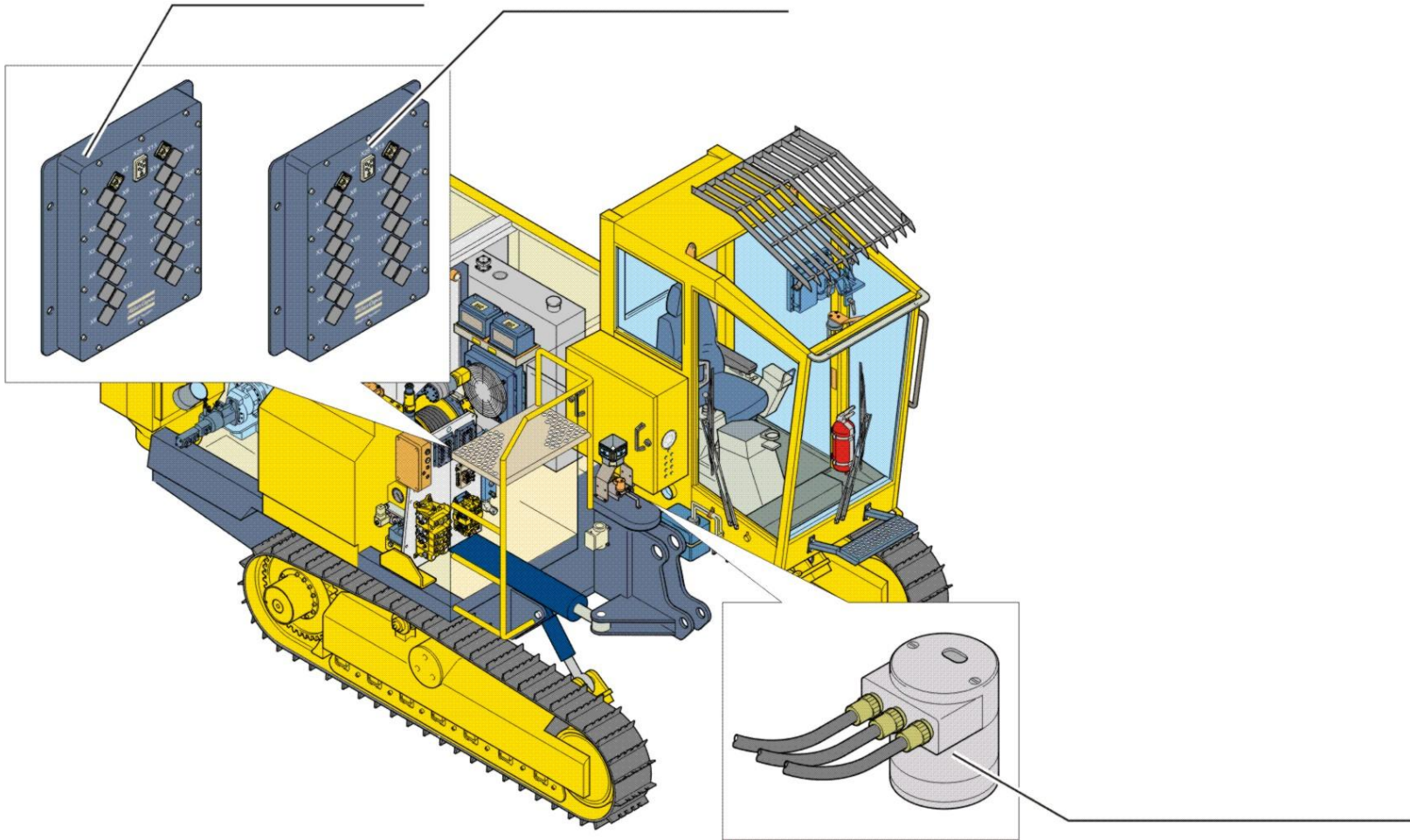


RCS Component location

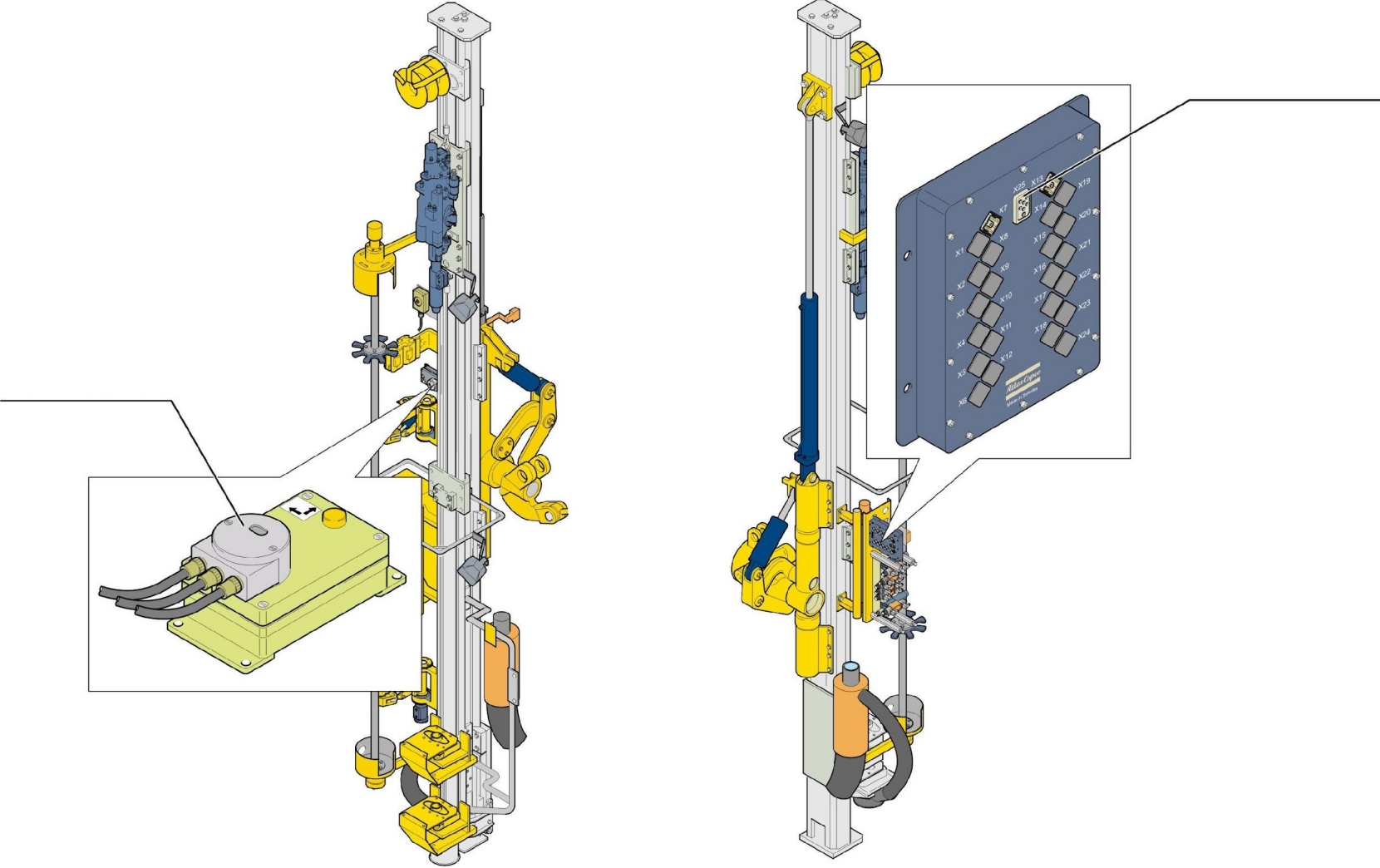


Exercise - ROC

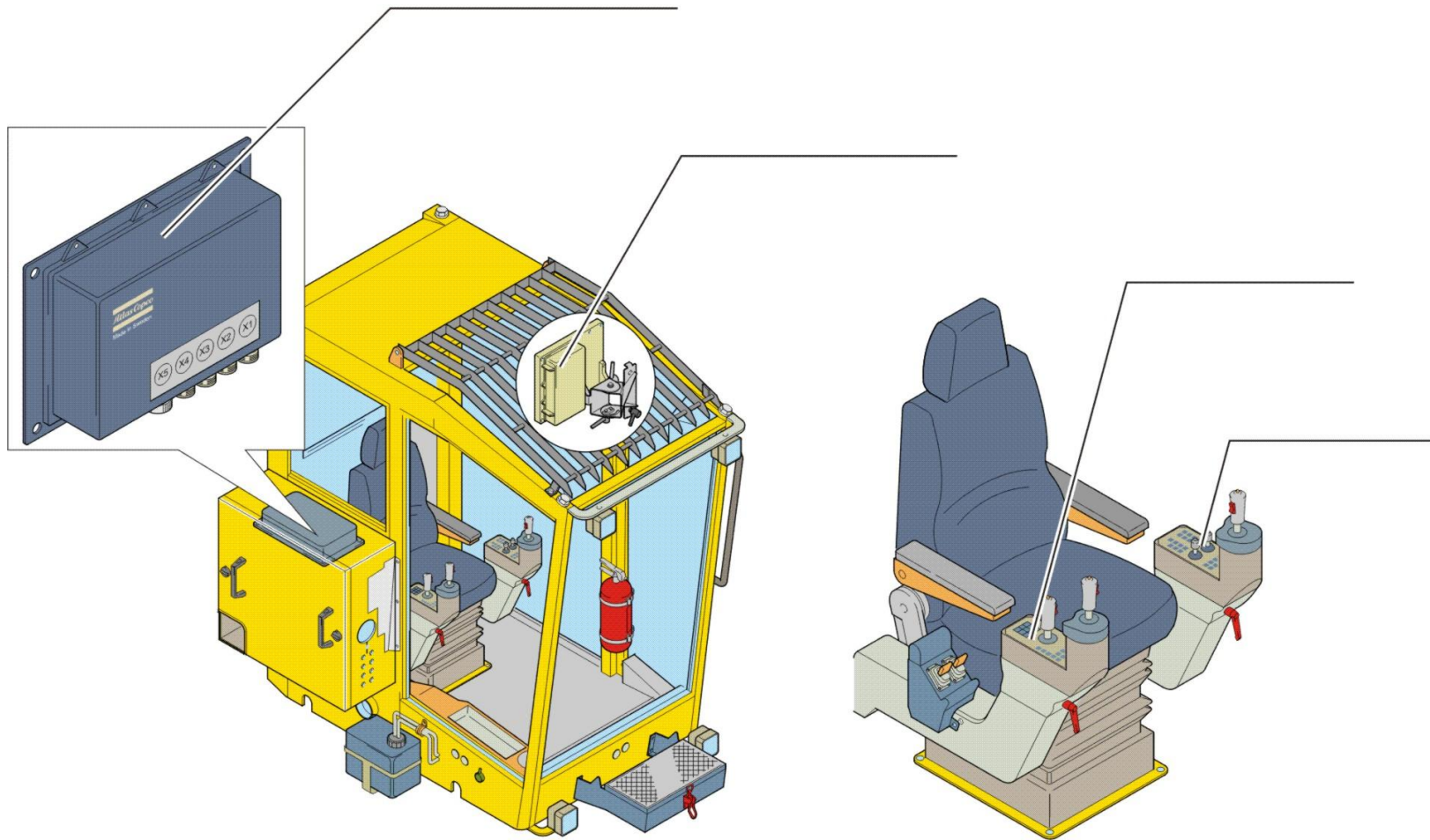
CANBUS Component location



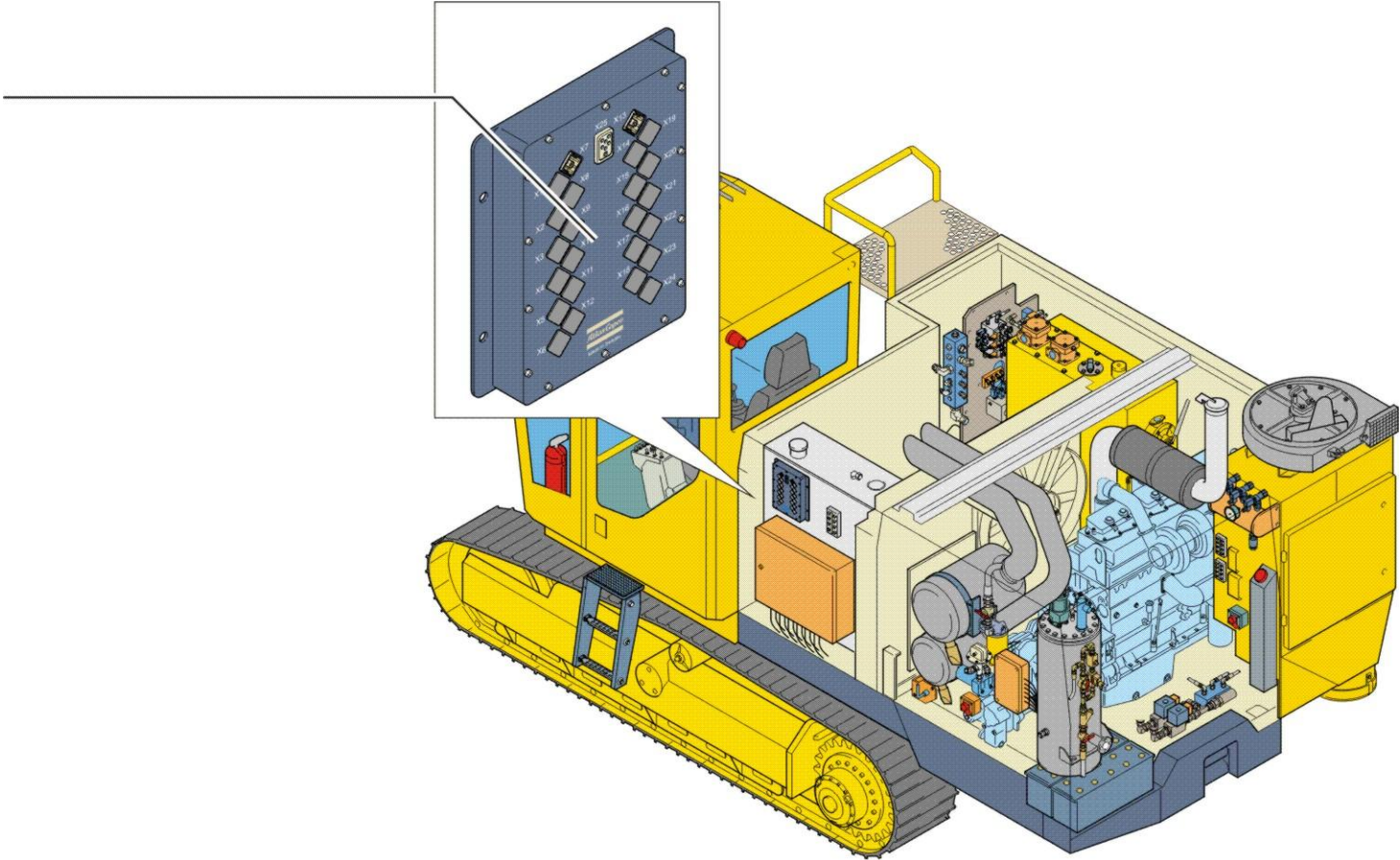
CANBUS Component location



CANBUS Component location



CANBUS Component location

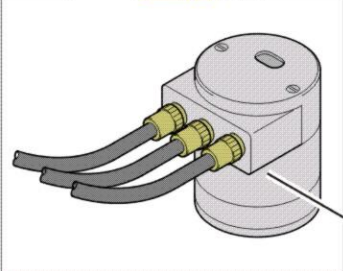
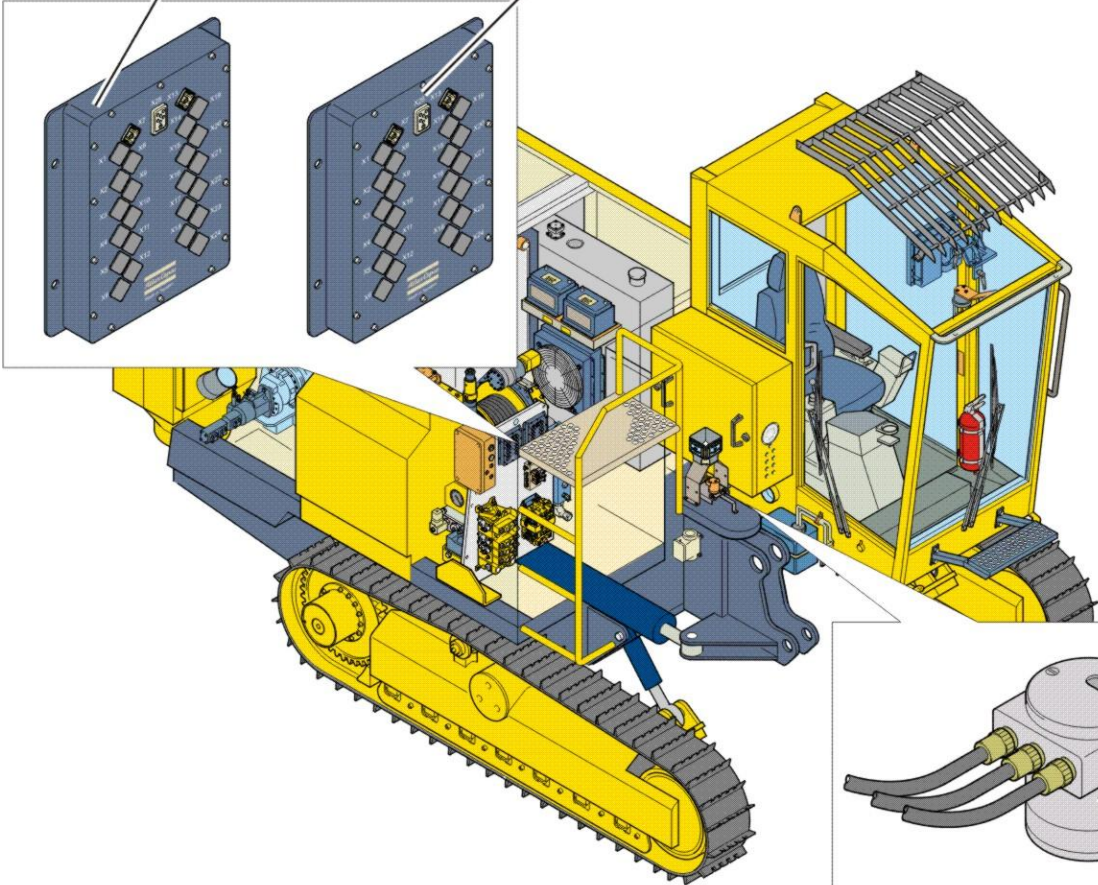


Correct Answers

CANBUS Component location

D101 I/O Module

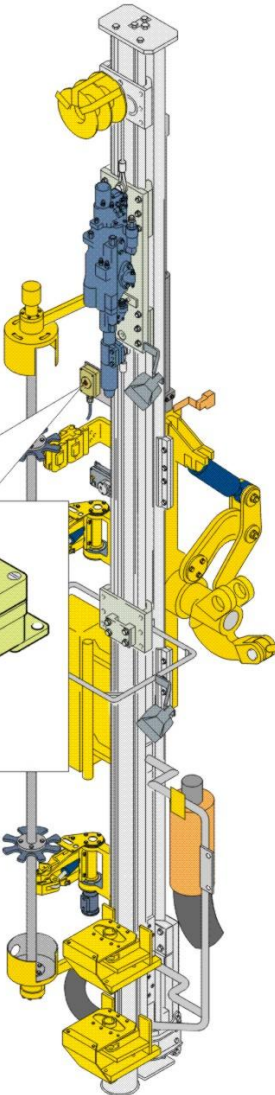
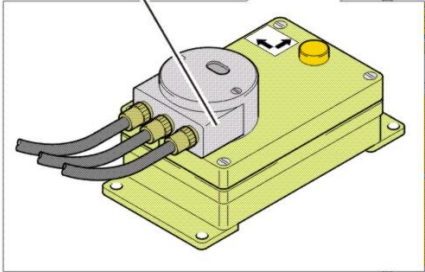
D510 I/O Module



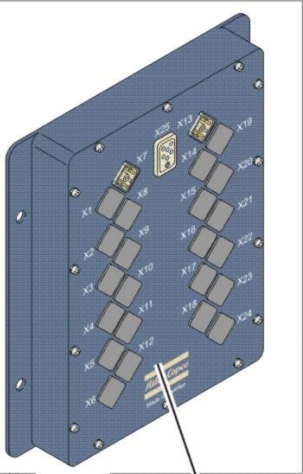
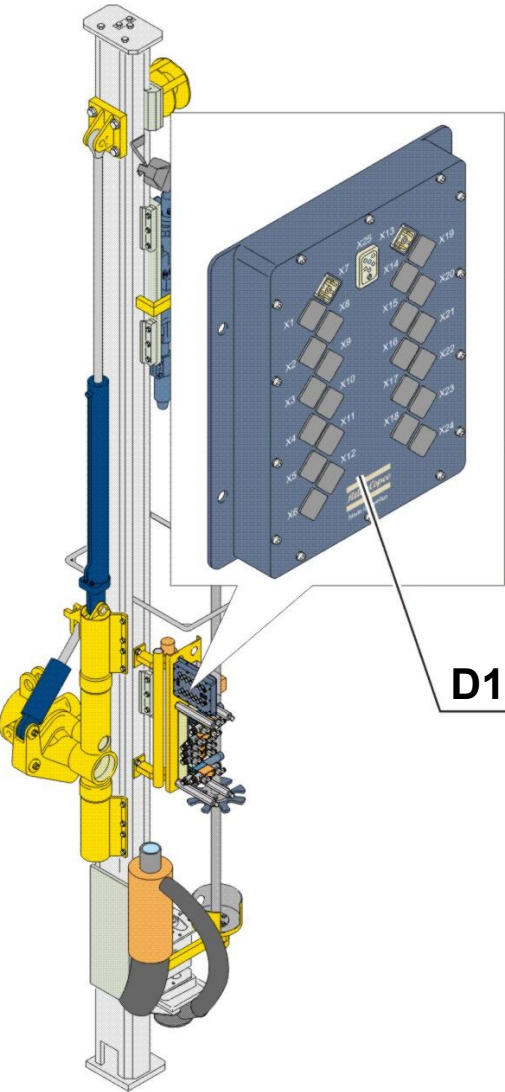
D170 Bom angle sensor

CANBUS Component location

D172 Inclination sensor



D102 I/O Module



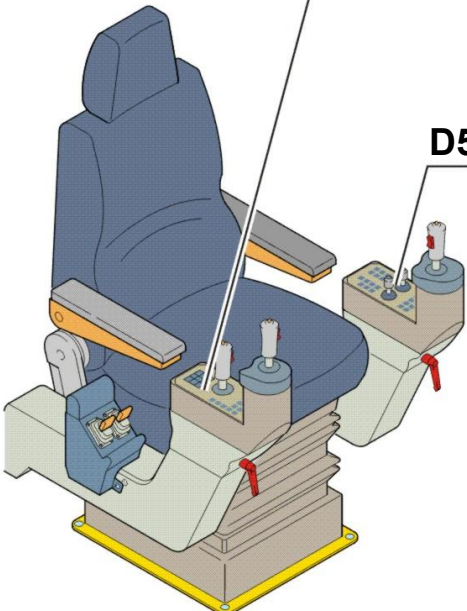
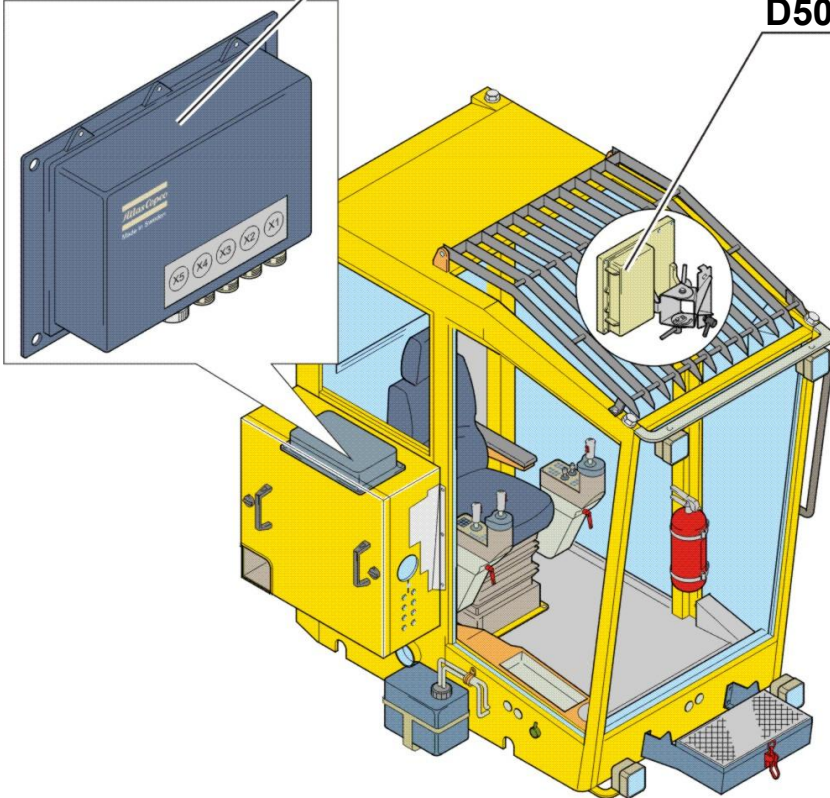
CANBUS Component location

D100 Application module

D501 Display module

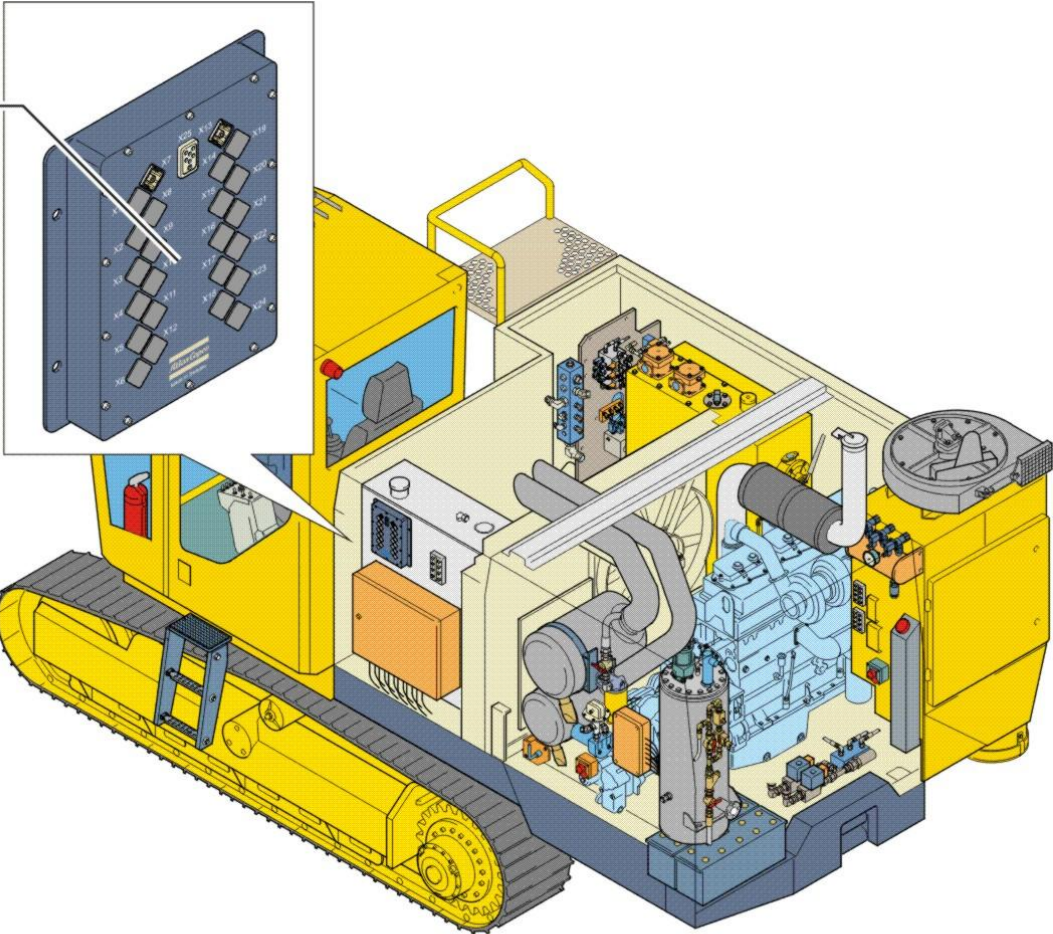
D500:2 R Lever module

D500:1 L Lever module



CANBUS Component location

D511 I/O Module

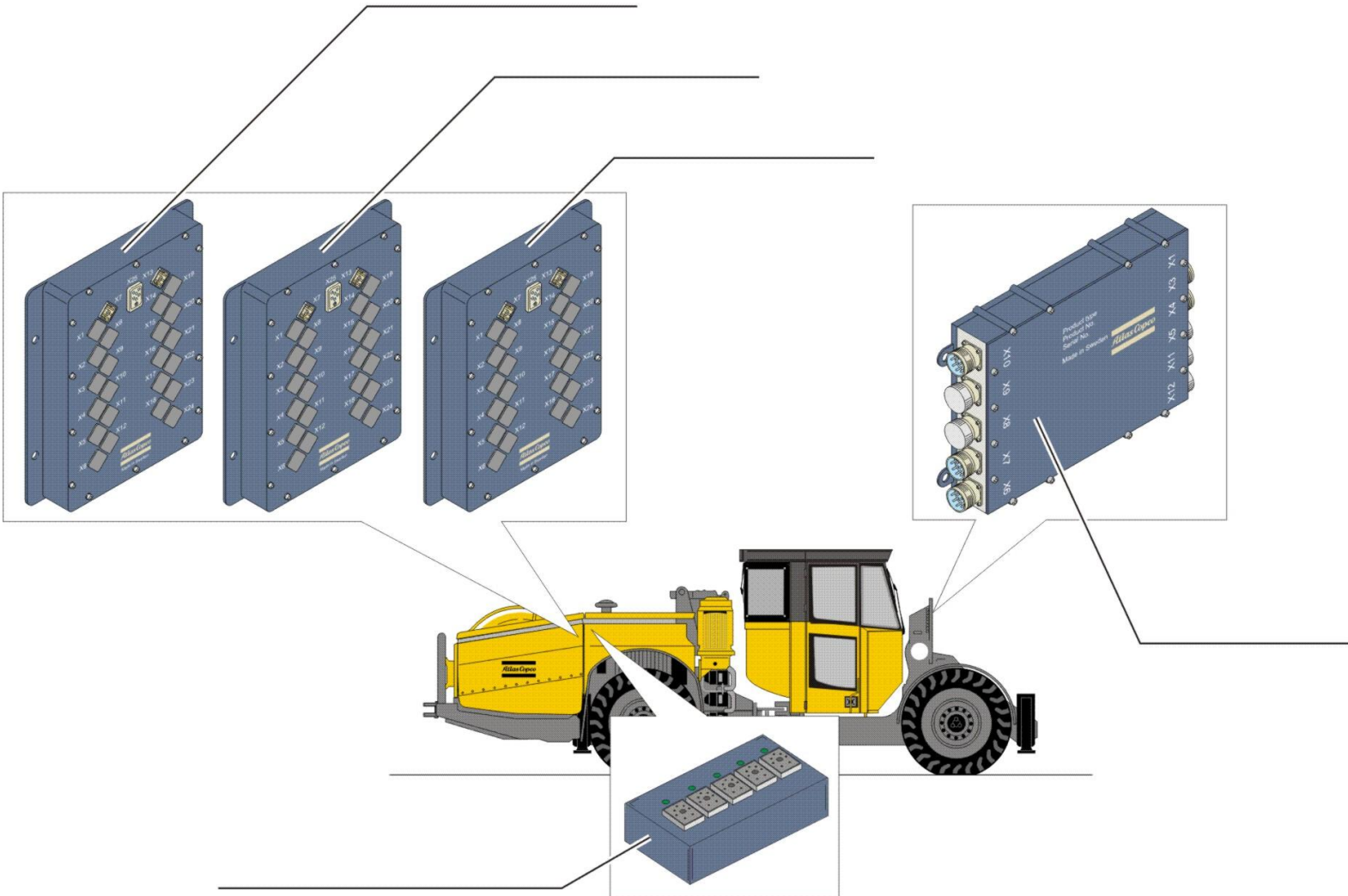


RCS Component location

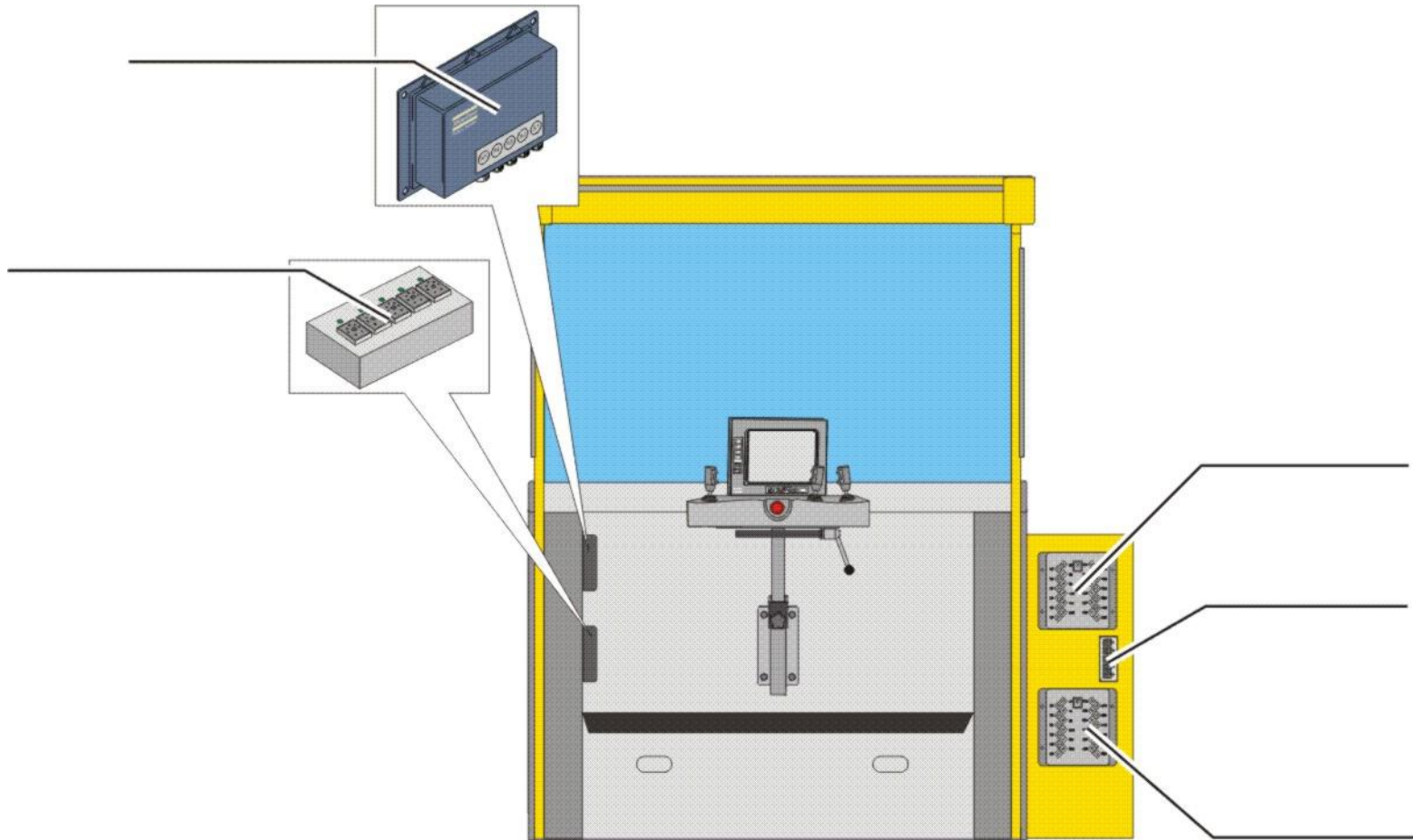


Exercise - Simba

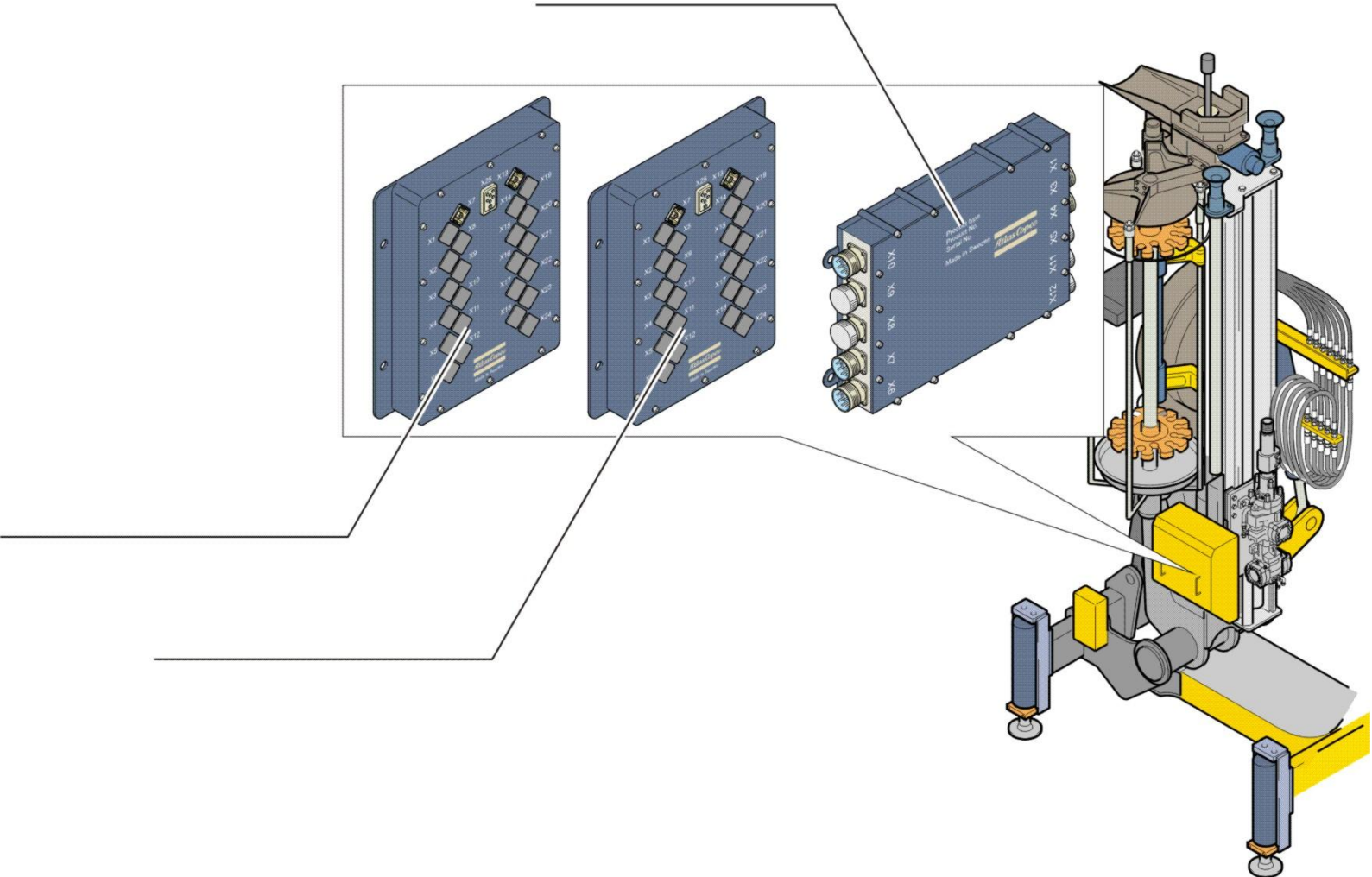
CANBUS Component location



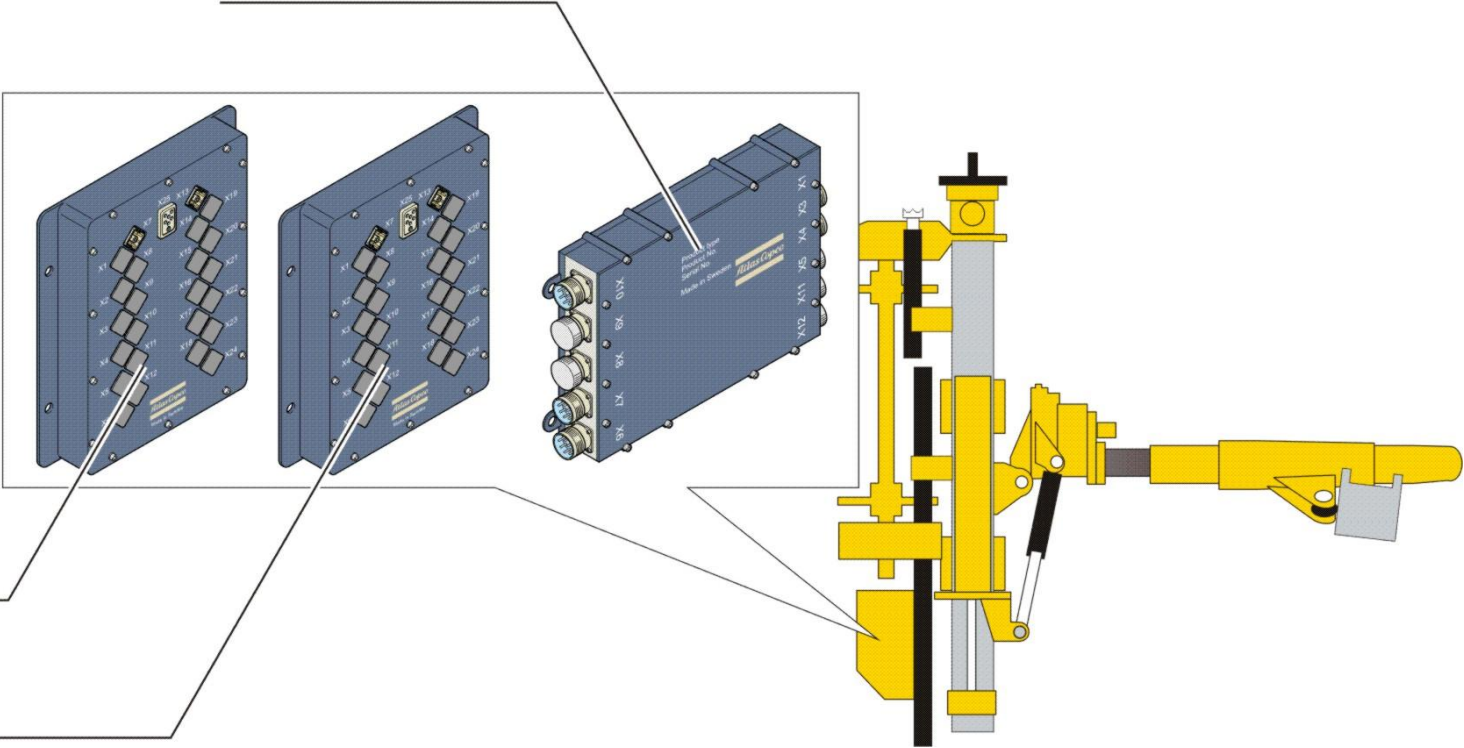
CANBUS Component location



CANBUS Component location



CANBUS Component location

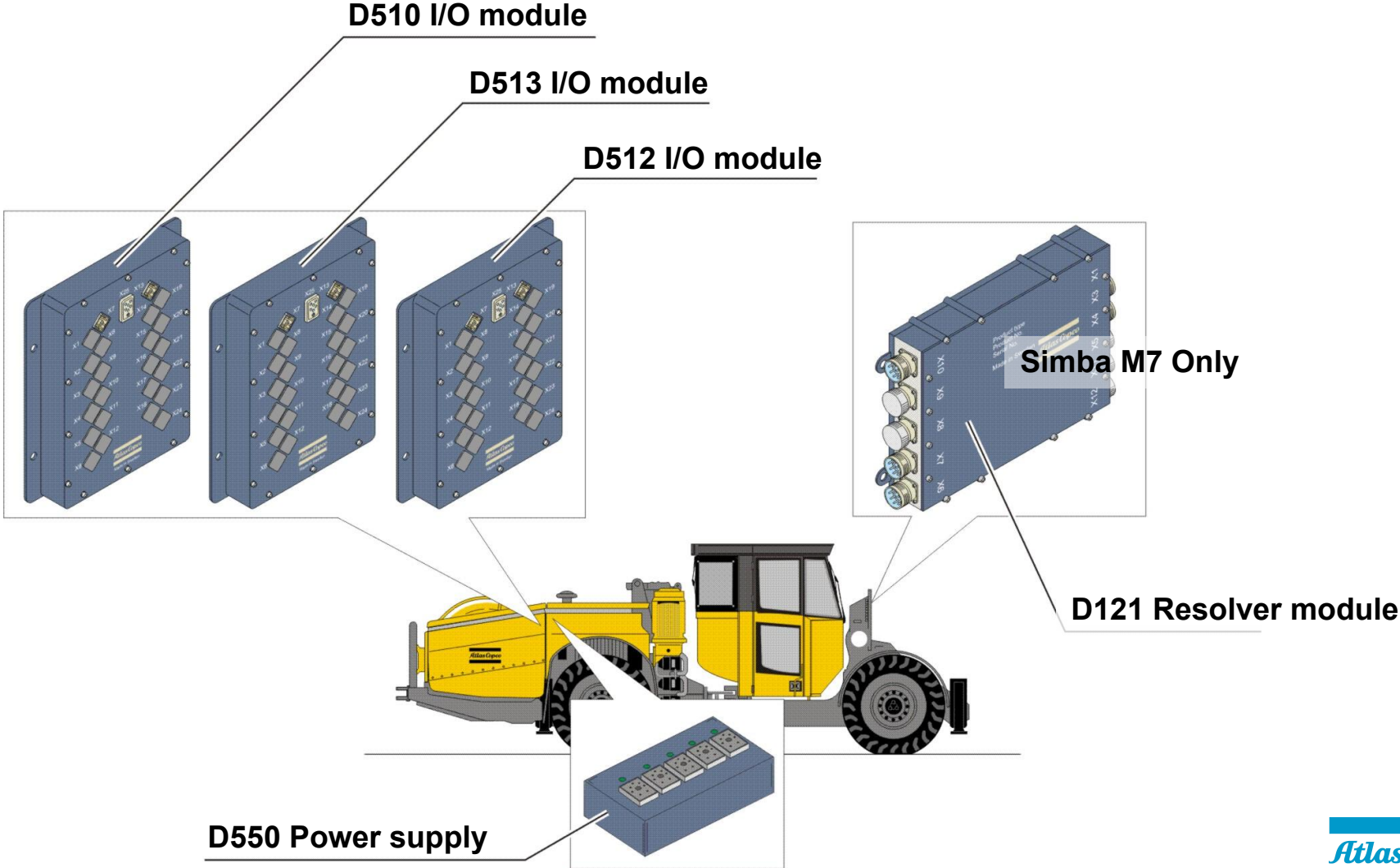


CANBUS Component location

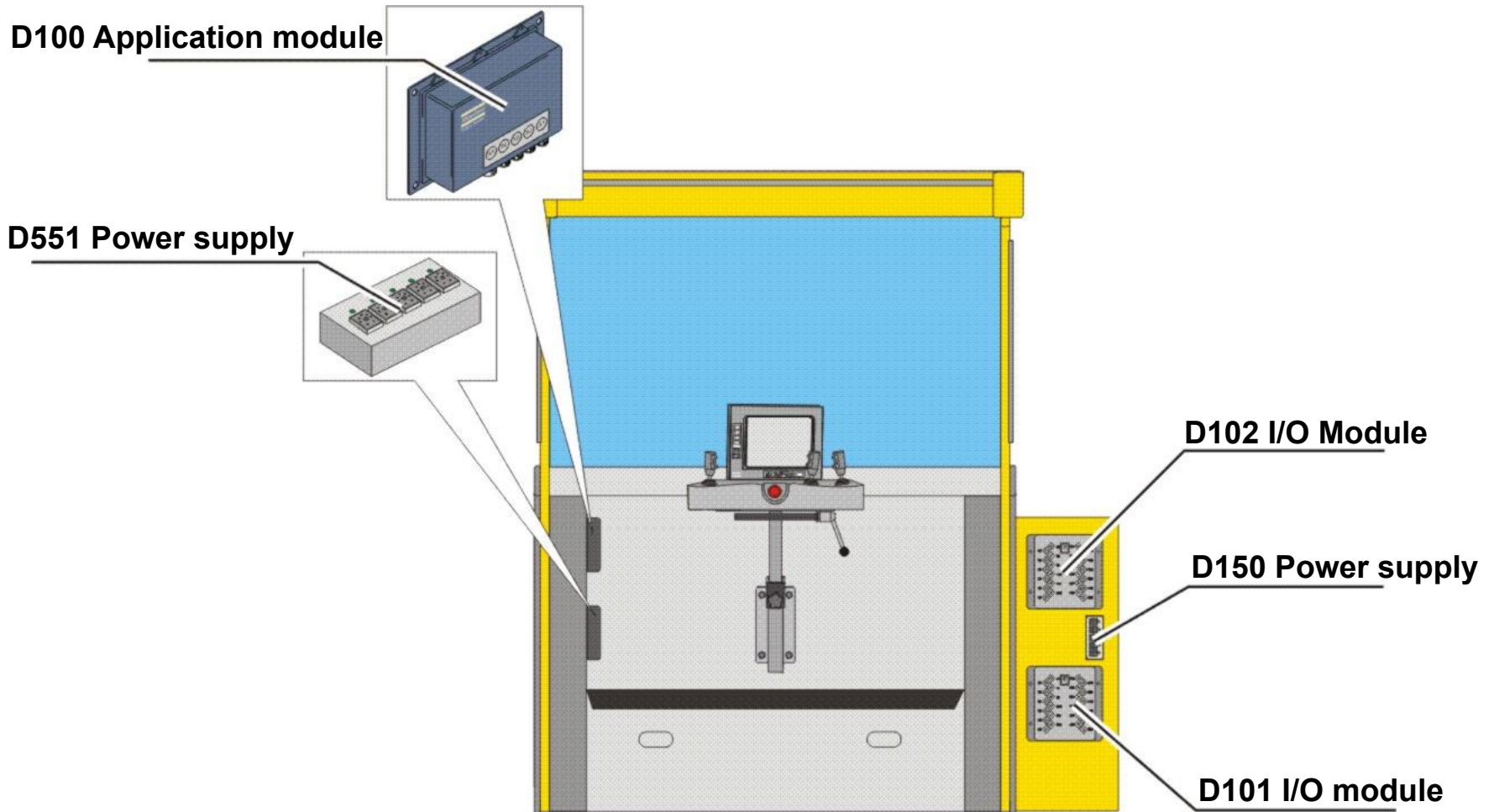


Correct Answers

CANBUS Component location

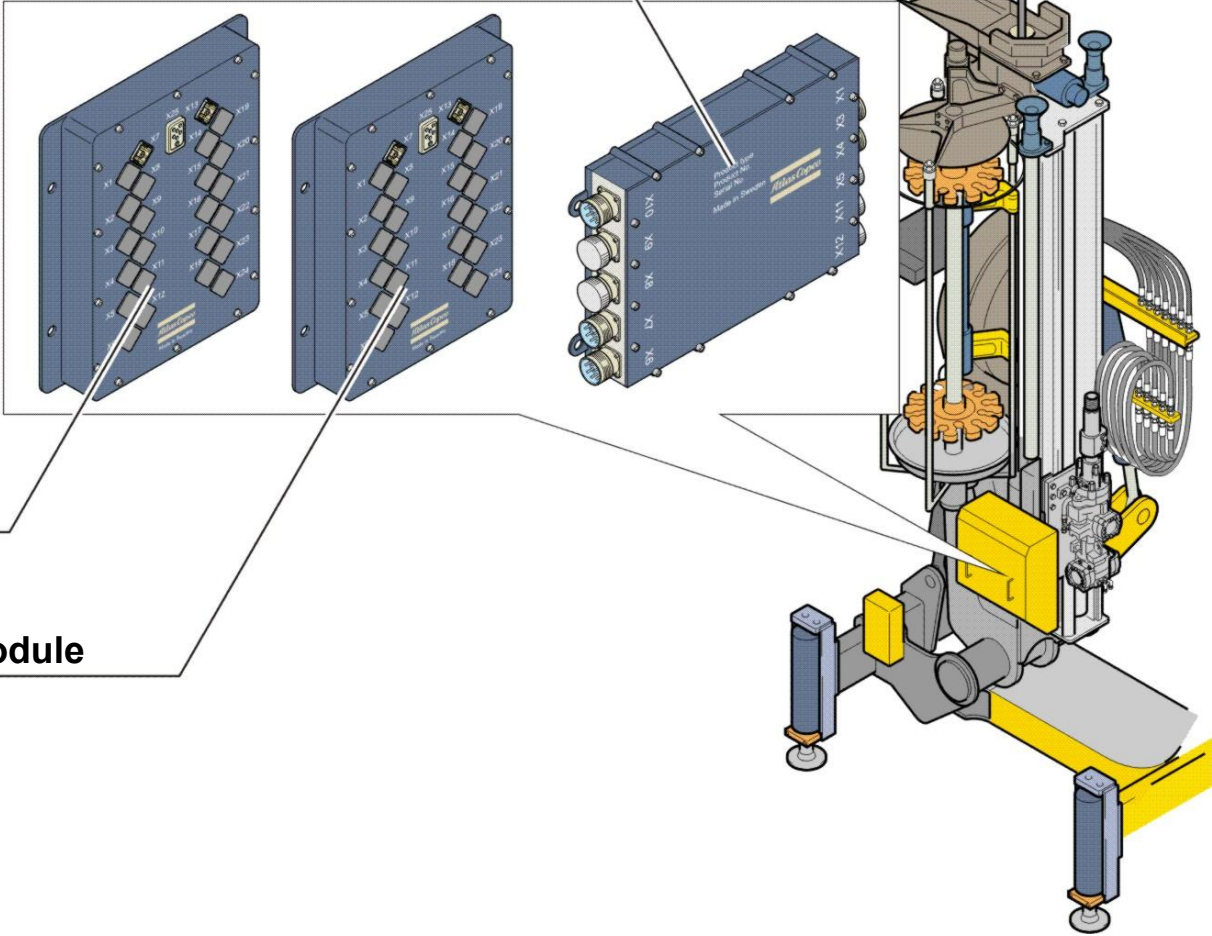


CANBUS Component location



CANBUS Component location

D120 Resolver module

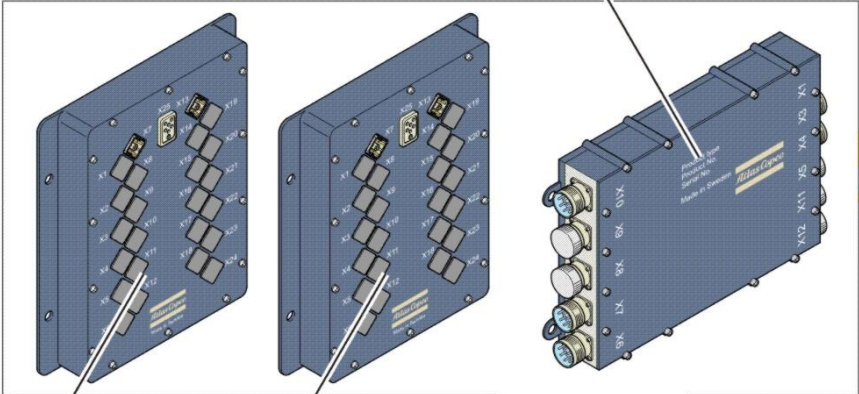


D103 I/O module

D104 I/O module

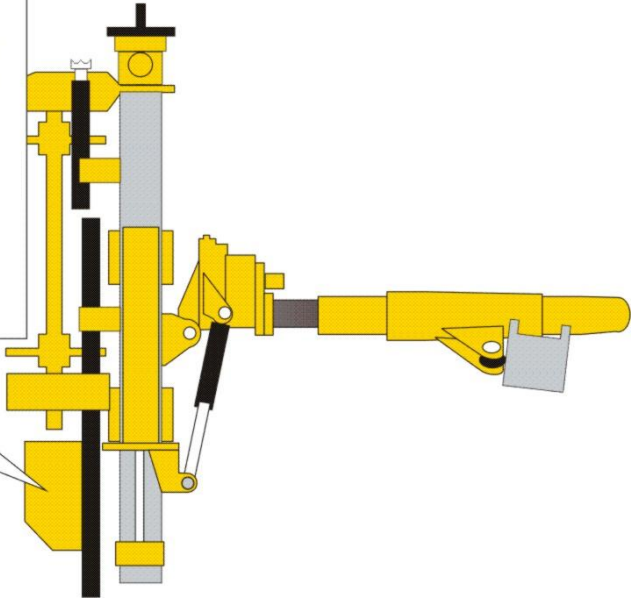
CANBUS Component location

D120 Resolver module

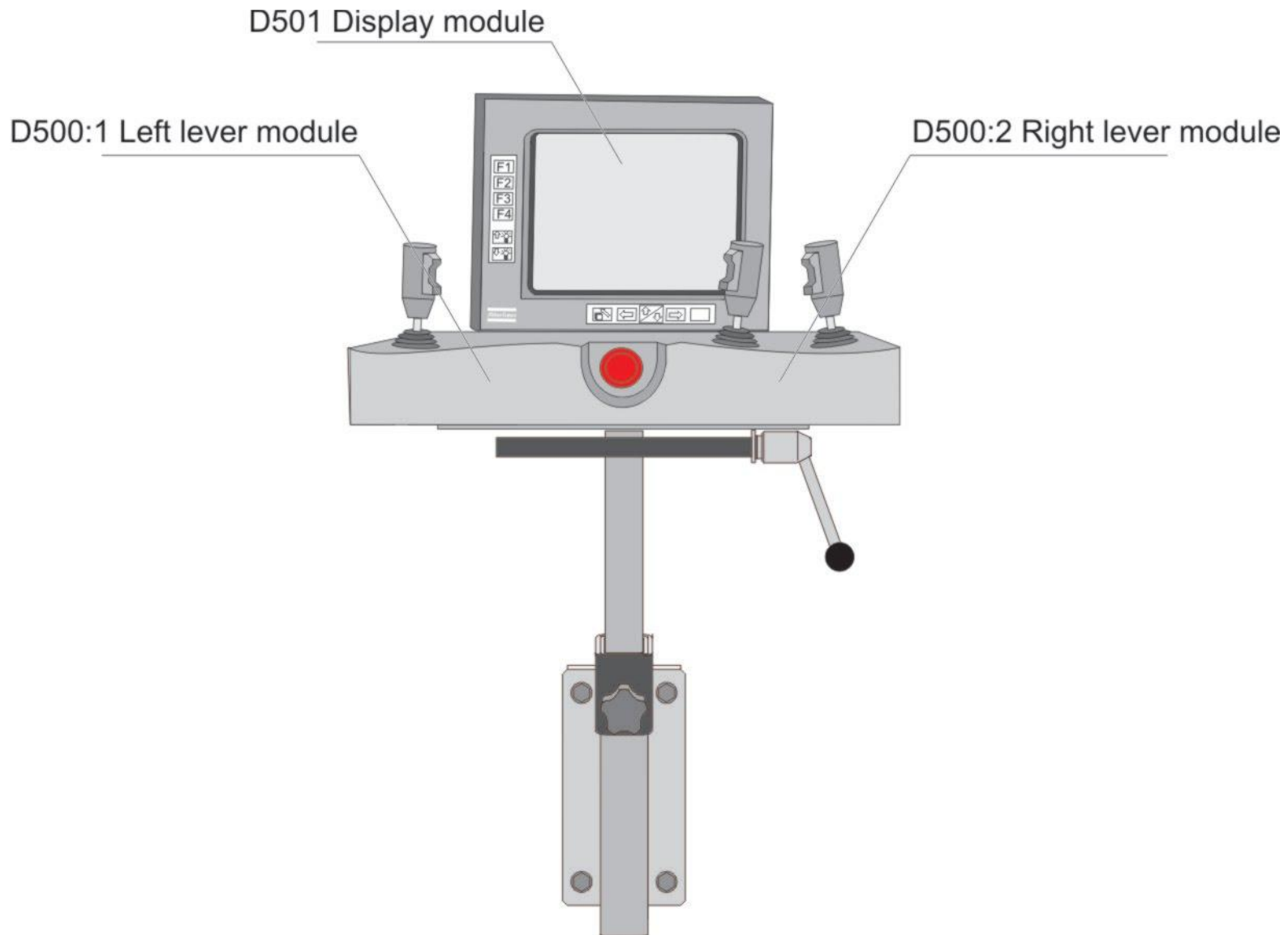


D103 I/O module

D104 I/O module



CANBUS Component location

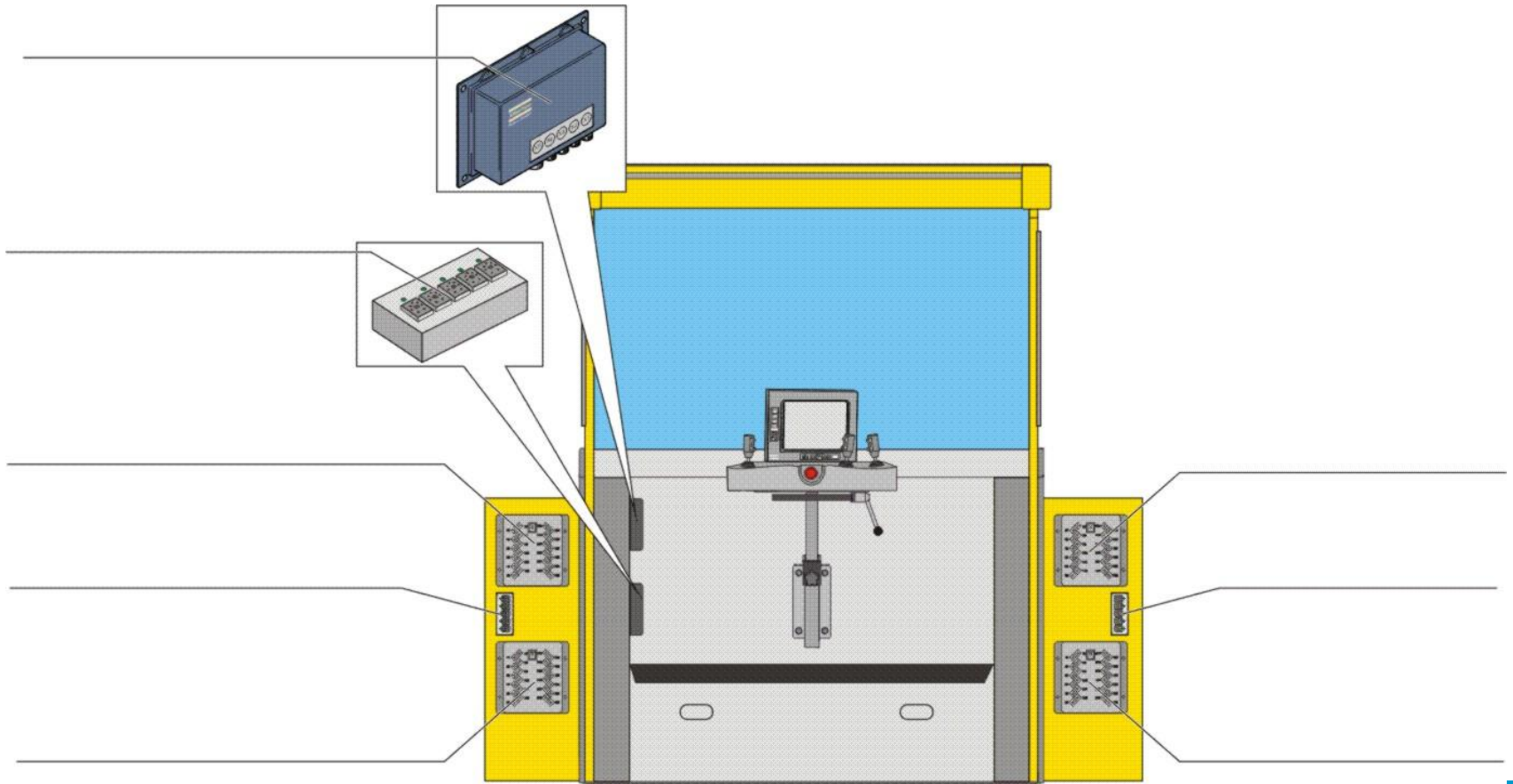


RCS Component location

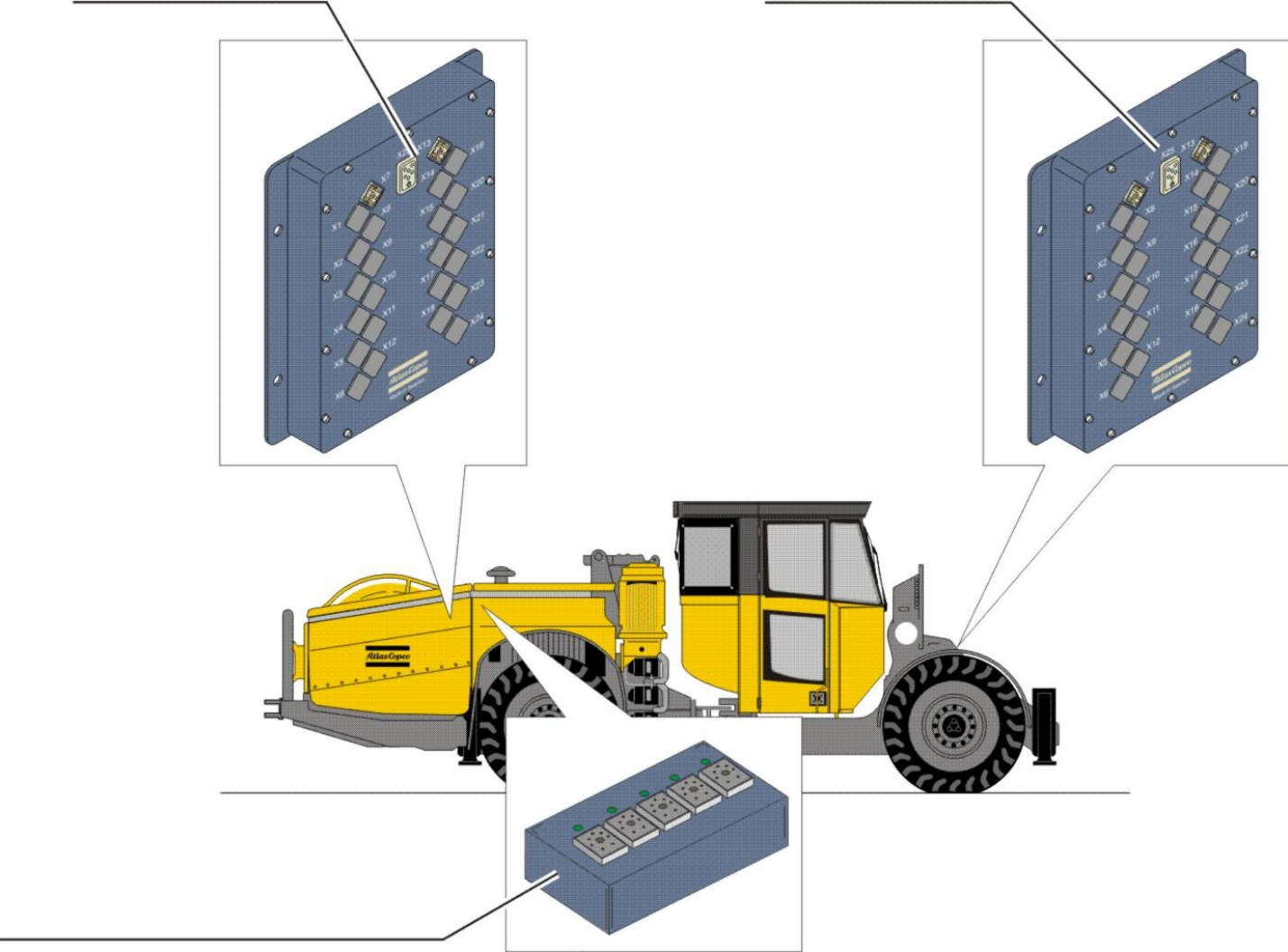


Exercise - Boltec

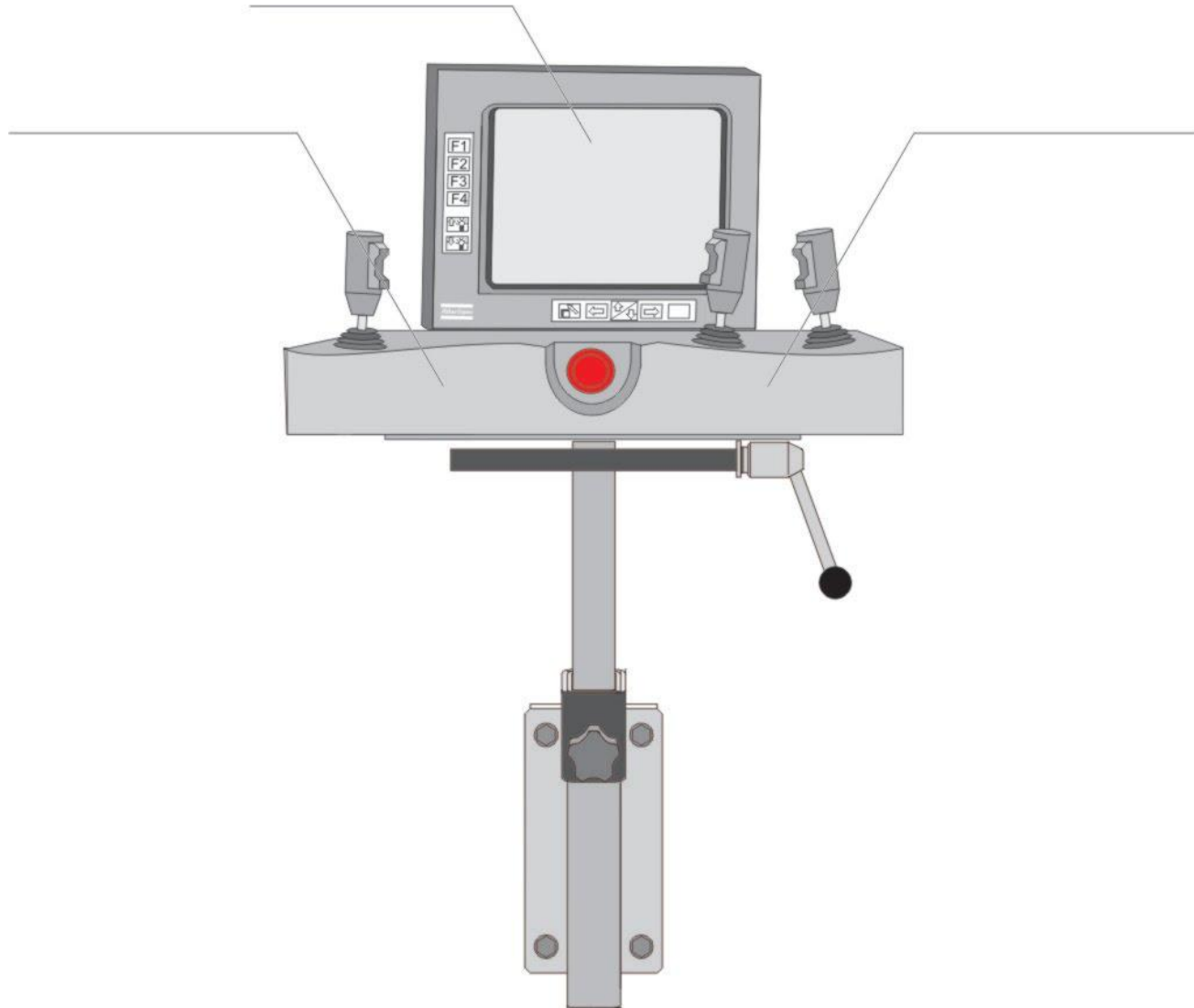
CANBUS Component location



CANBUS Component location

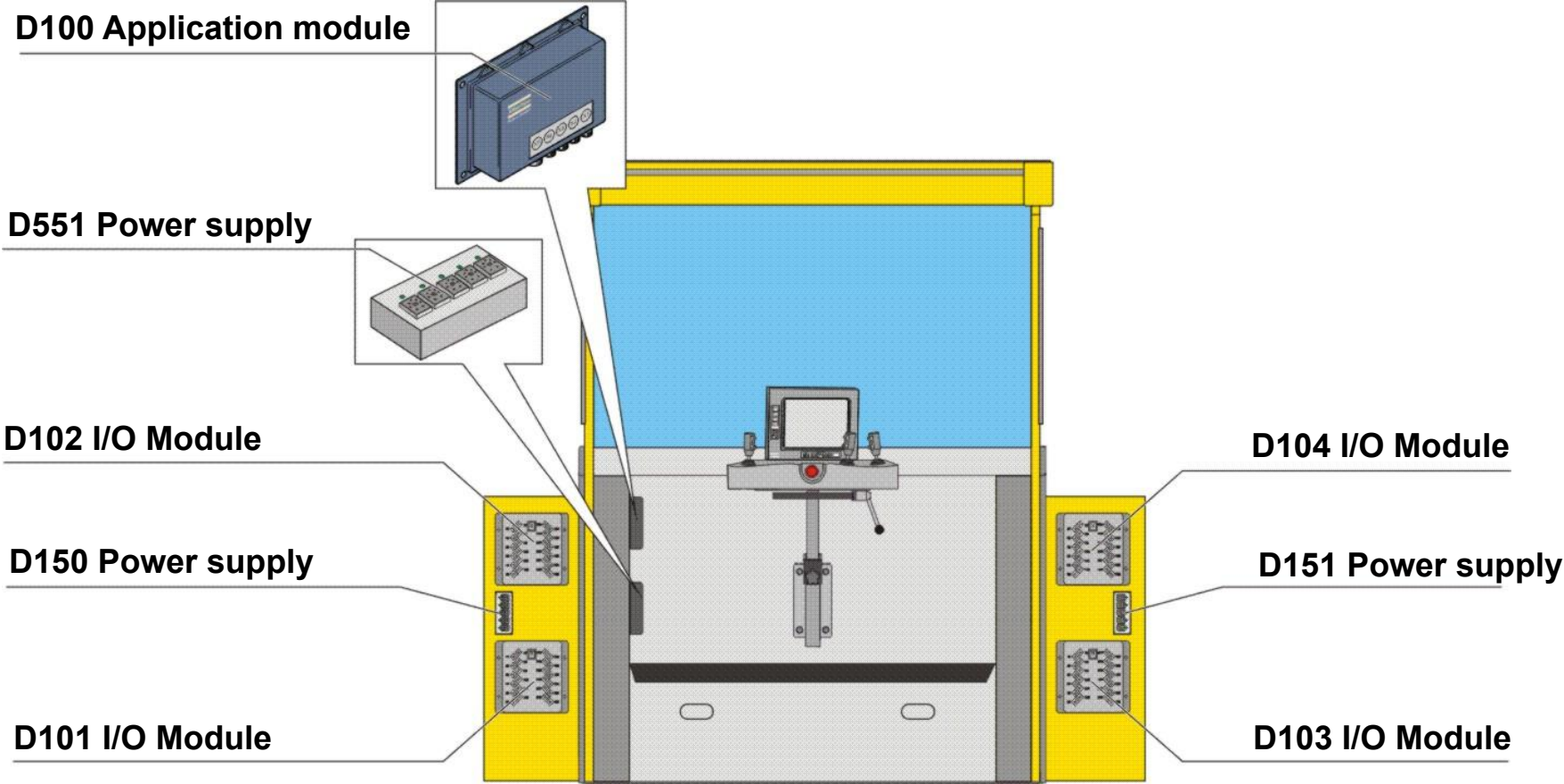


CANBUS Component location



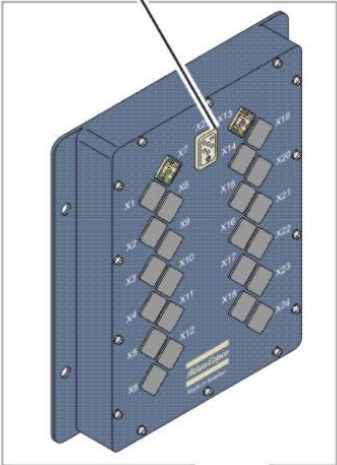
Correct Answers

CANBUS Component location

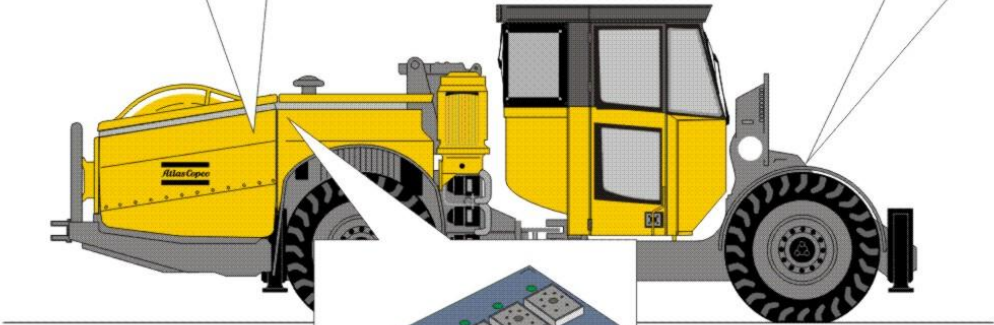
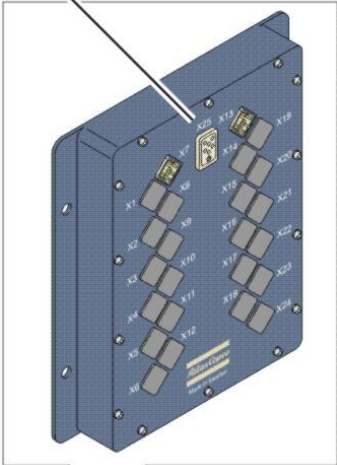


CANBUS Component location

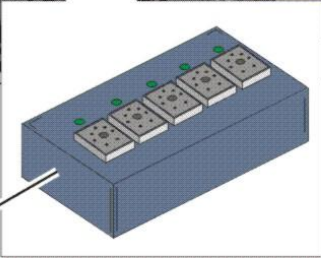
D510 I/O Module



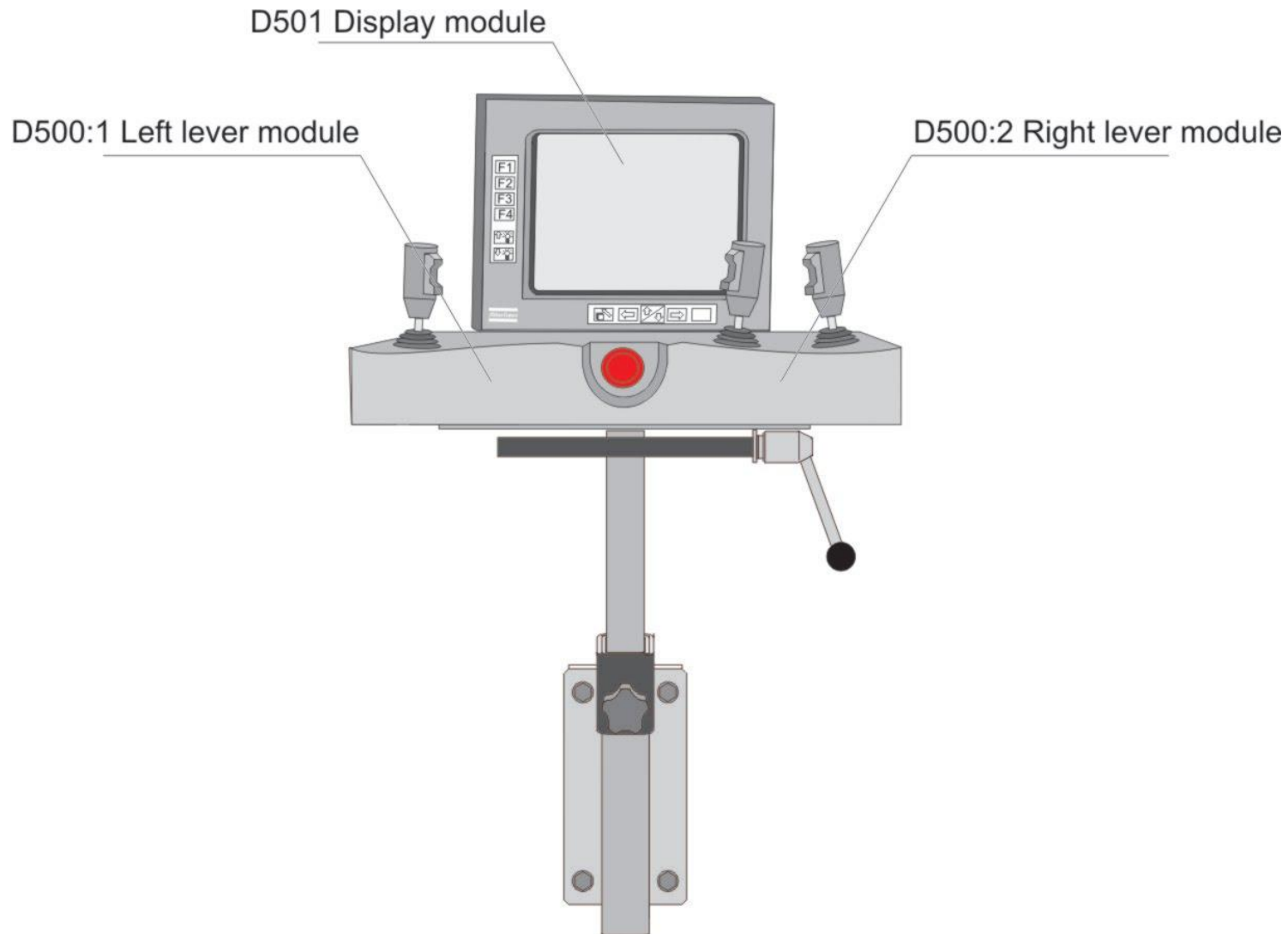
D511 I/O Module



D550 Power supply



CANBUS Component location



**We are committed to your
superior productivity through
interaction and innovation.**



Atlas Copco

