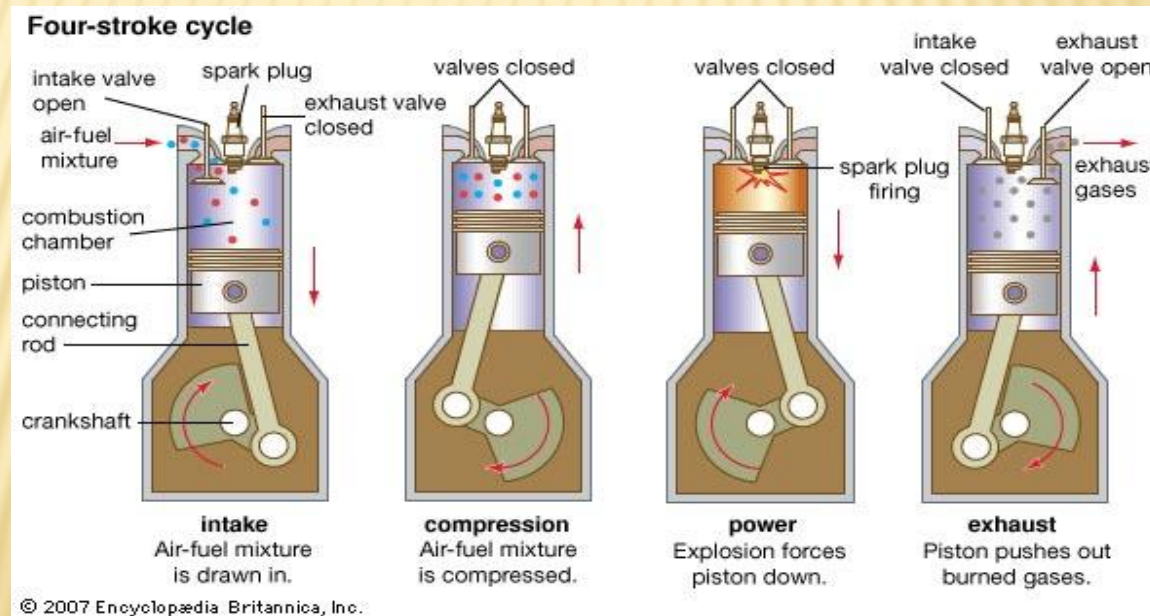


INTERNAL COMBUSTION ENGINE

Komarov A.A.

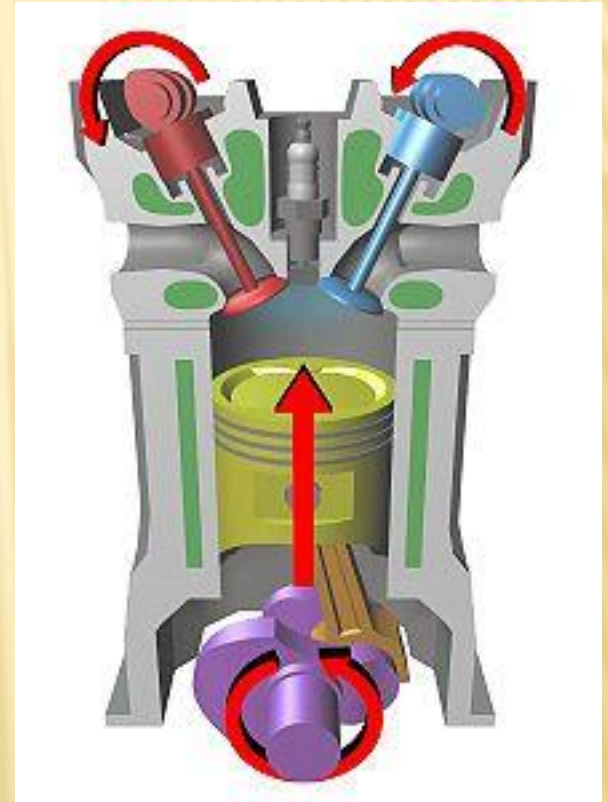
Four stroke configuration Operation

1. Intake
2. Compression
3. Power
4. Exhaust



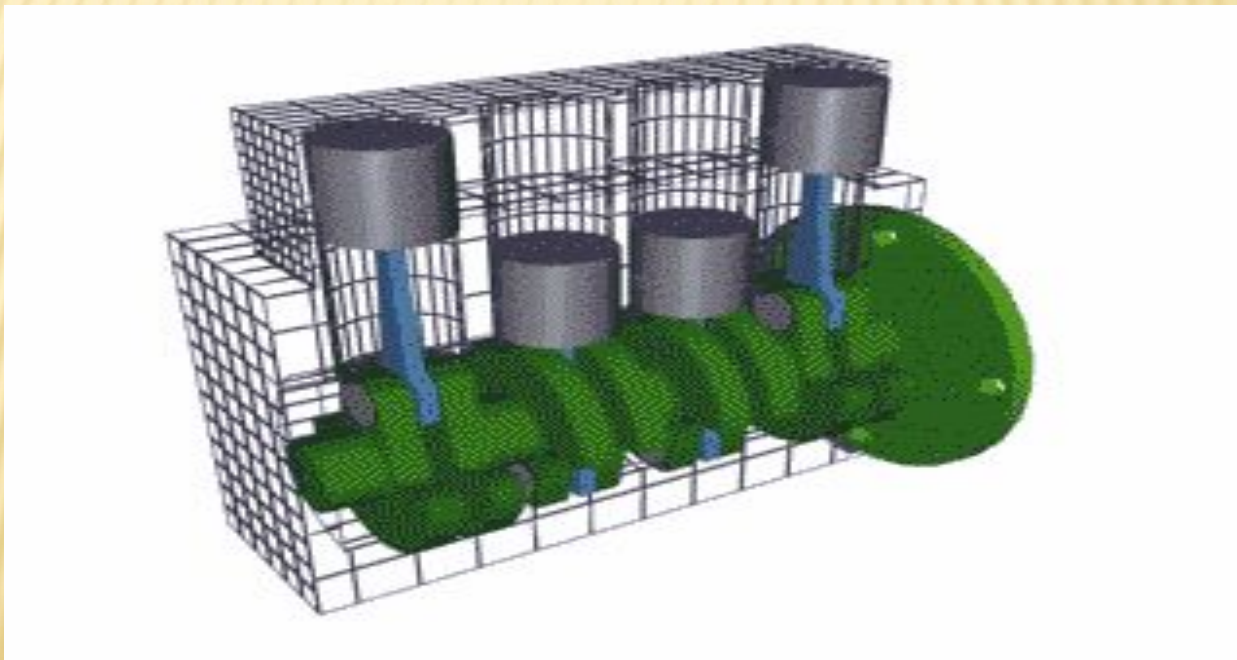
Parts

- Crankshaft (purple).
- Connecting rod (orange).
- One or more camshafts (red and blue) and valves.
- One or more cylinders (grey and green).
- Spark plug (darker-grey).
- Piston (yellow).

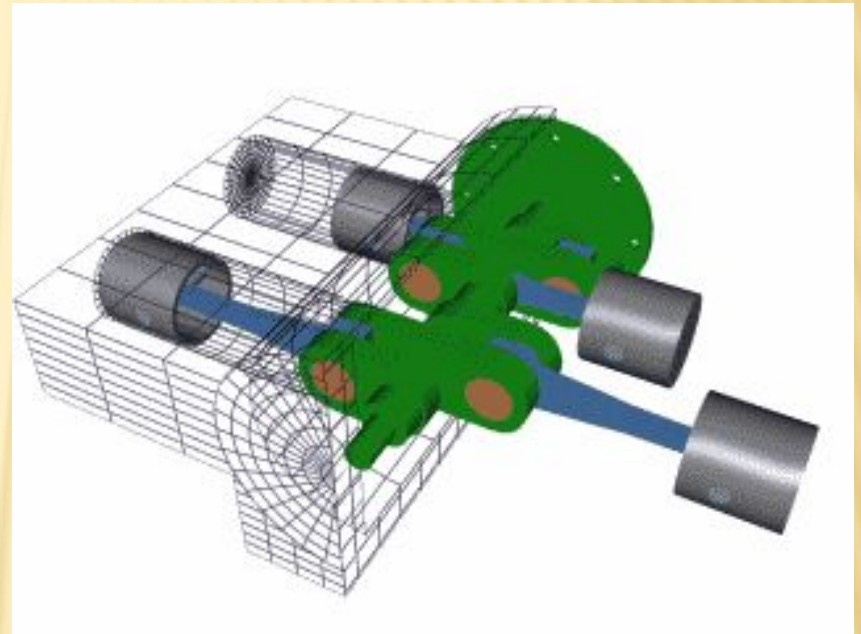
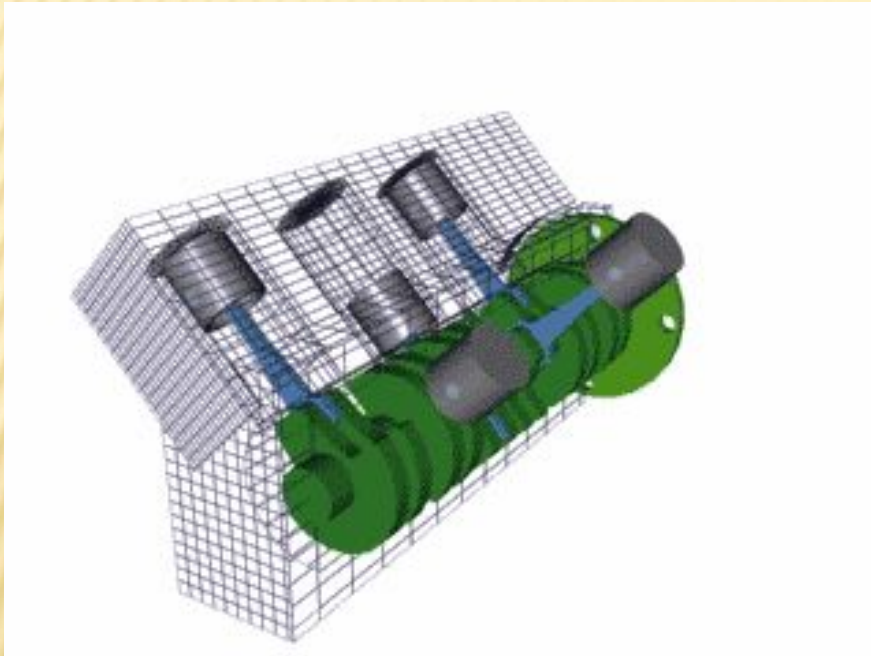


Types of engine

- *Inline*
- *V*
- *Flat (also known as horizontally opposed or boxer).*



Types of engine



Thank you for your attention!