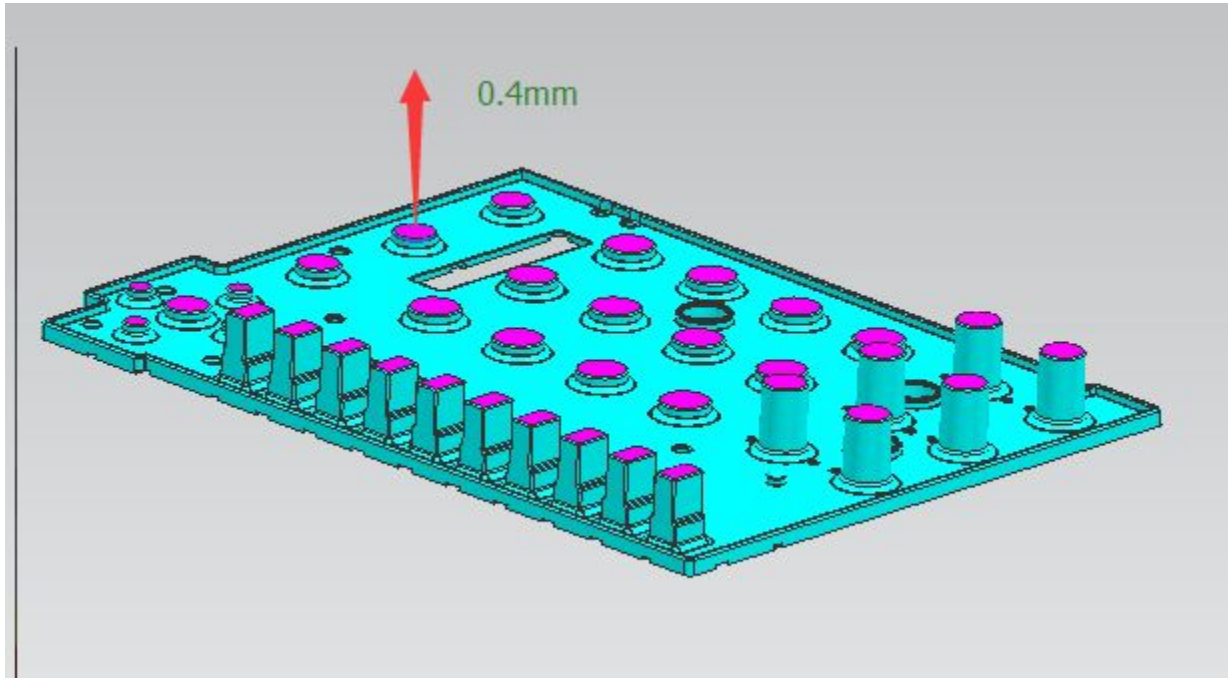
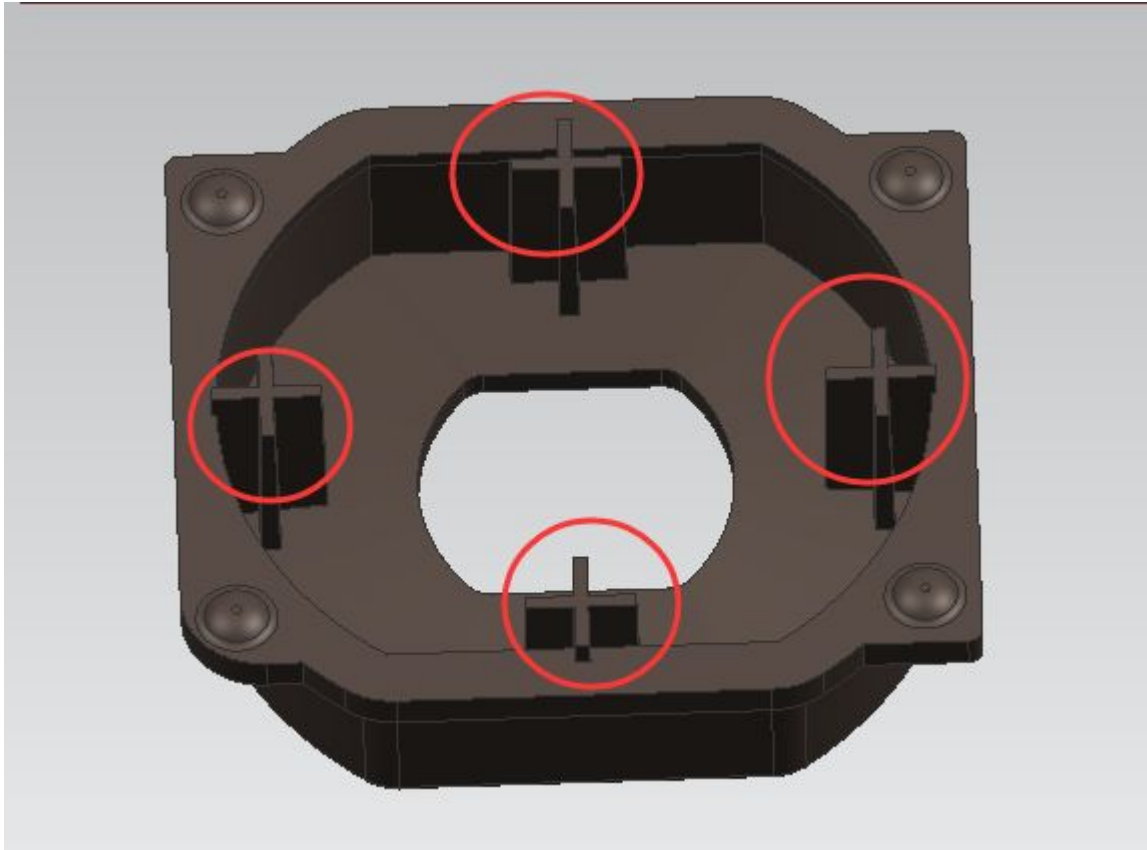


the rubber keypads have been increased 0.4mm as the red arrow direction, and other keys no changes, please check whether the 3D drawings are correct

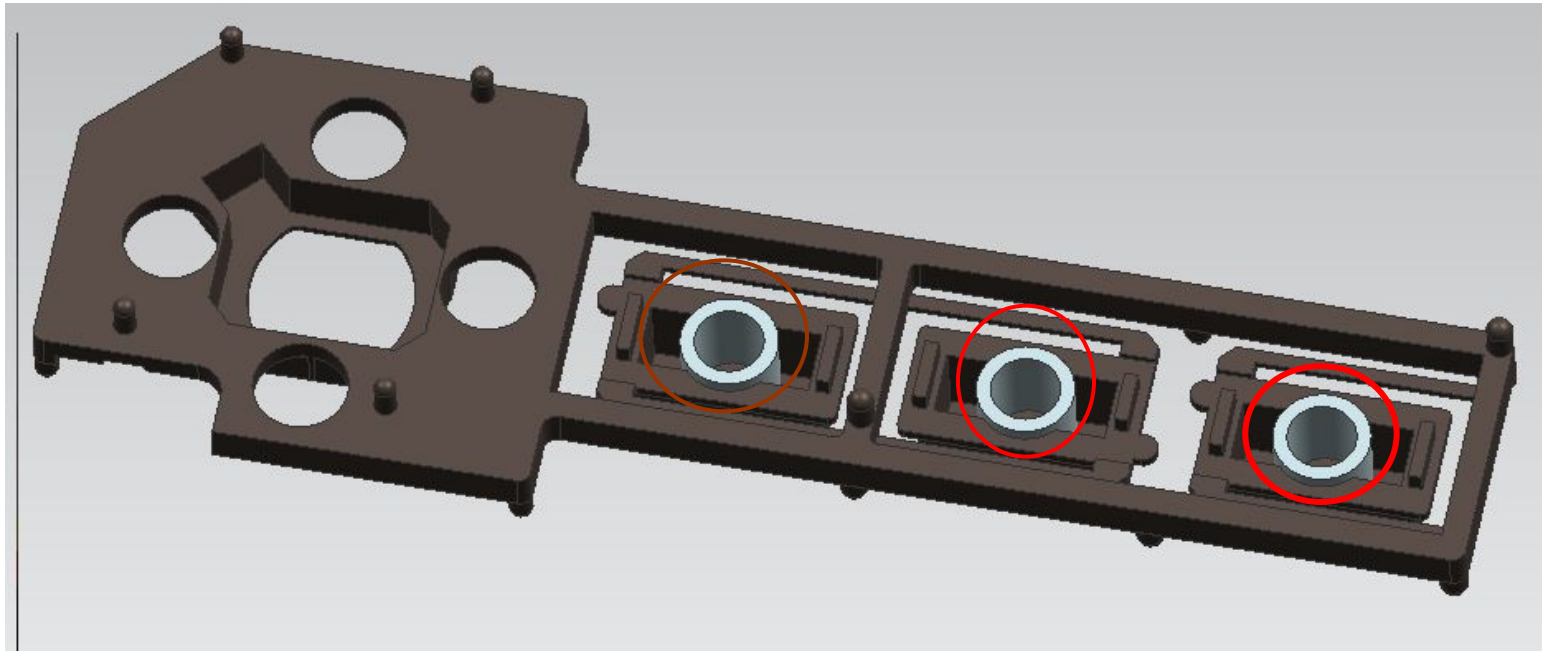


However, we suggest not to increase these keys; the plastic keyboards have to decrease 0.4mm if you want to increase 0.4mm for the rubber keypads, therefore, the plastic keyboard will be in a compression state during assembly.

joystick



do the four cross ribs have to change to round ribs?



The cross ribs have been changed to round ribs with ϕ 6.8mm