

# **Business Process Management: Concepts, Languages, Architectures**

**Second Edition**

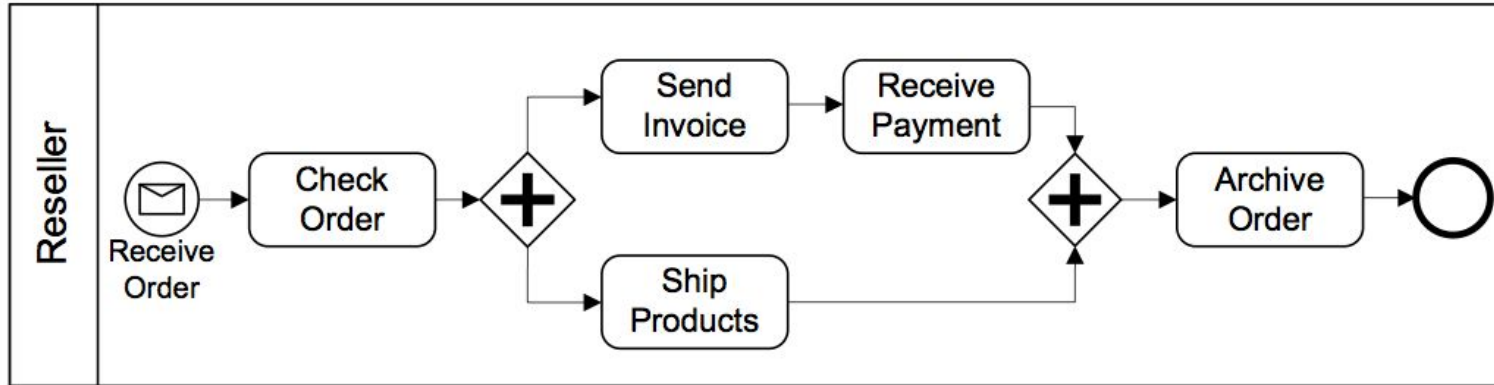
**Figures of Chapter 1**

Mathias Weske

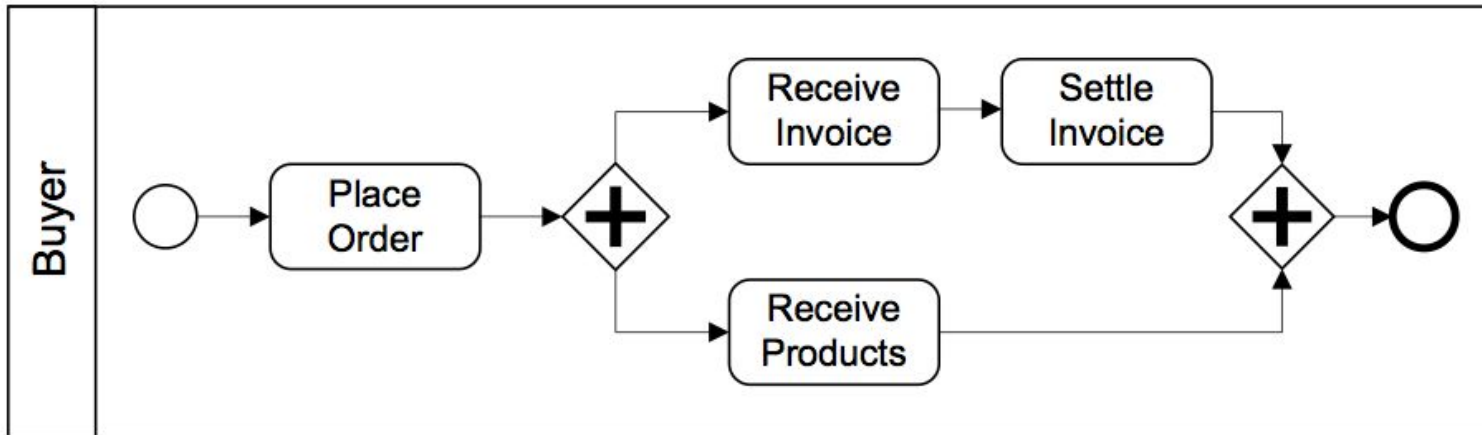
# Legal Notice

- This PowerPoint file contains figures used in
  - Mathias Weske, Business Process Management: Concepts, Languages, Architectures 2012, XIV, 403 p. 300 illus., Hardcover ISBN: 978-3-642-28615-5, eBook ISBN: 978-3-642-28616-2 © Springer-Verlag Berlin Heidelberg 2012, 2007
- Each slide contains one picture in PNG-format with caption and copyright notice. It is illegal to remove the copyright notice from any of the figures.
- Commercial use in any form is not allowed without prior written approval by Springer-Verlag
- Teaching material can be found at BPM Academic Initiative, <http://academic.signavio.com>

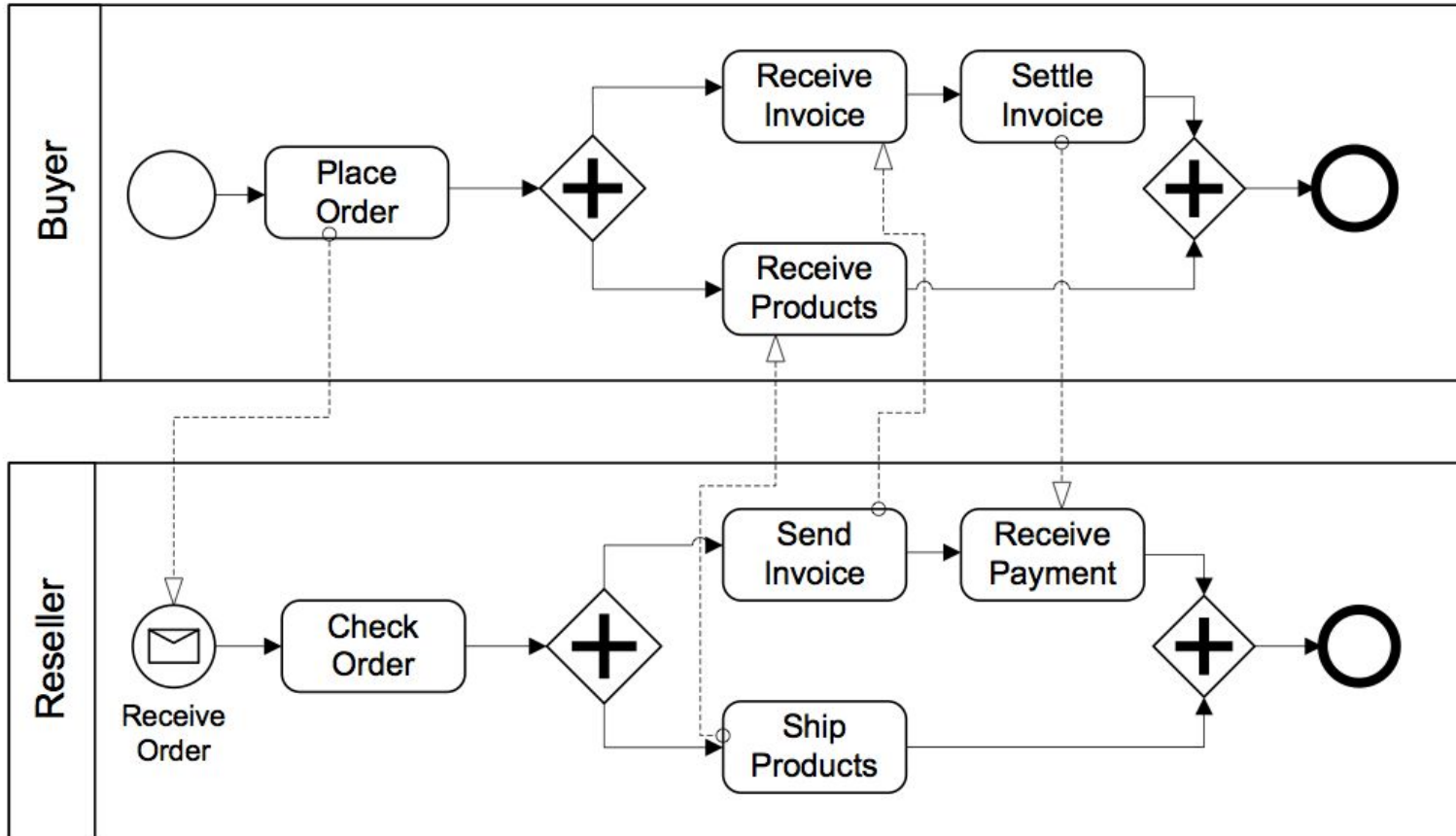
Best regards,  
Mathias Weske



**Fig. 1.1.** Simple ordering process of reseller

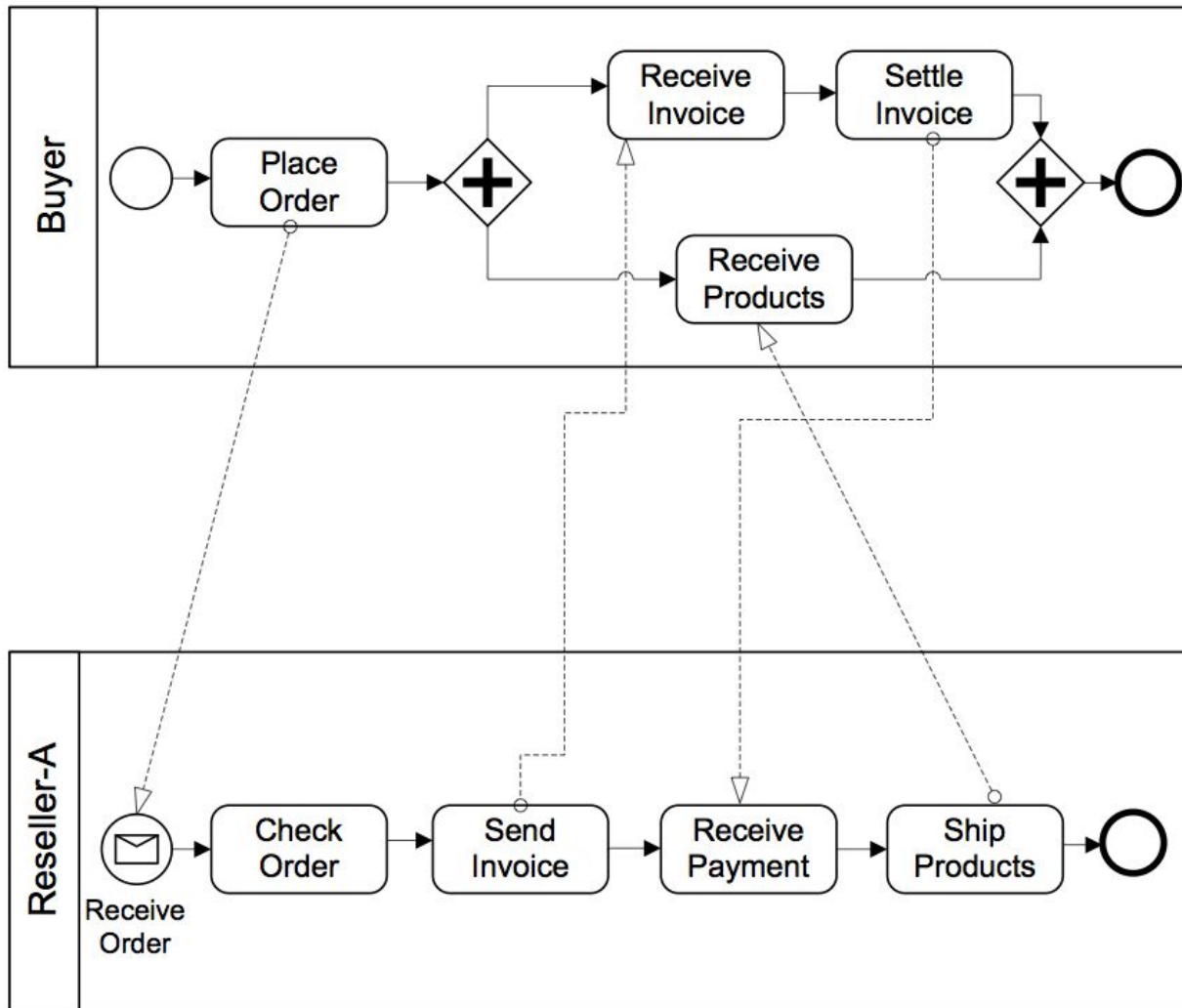


**Fig. 1.2.** Ordering process of a buyer



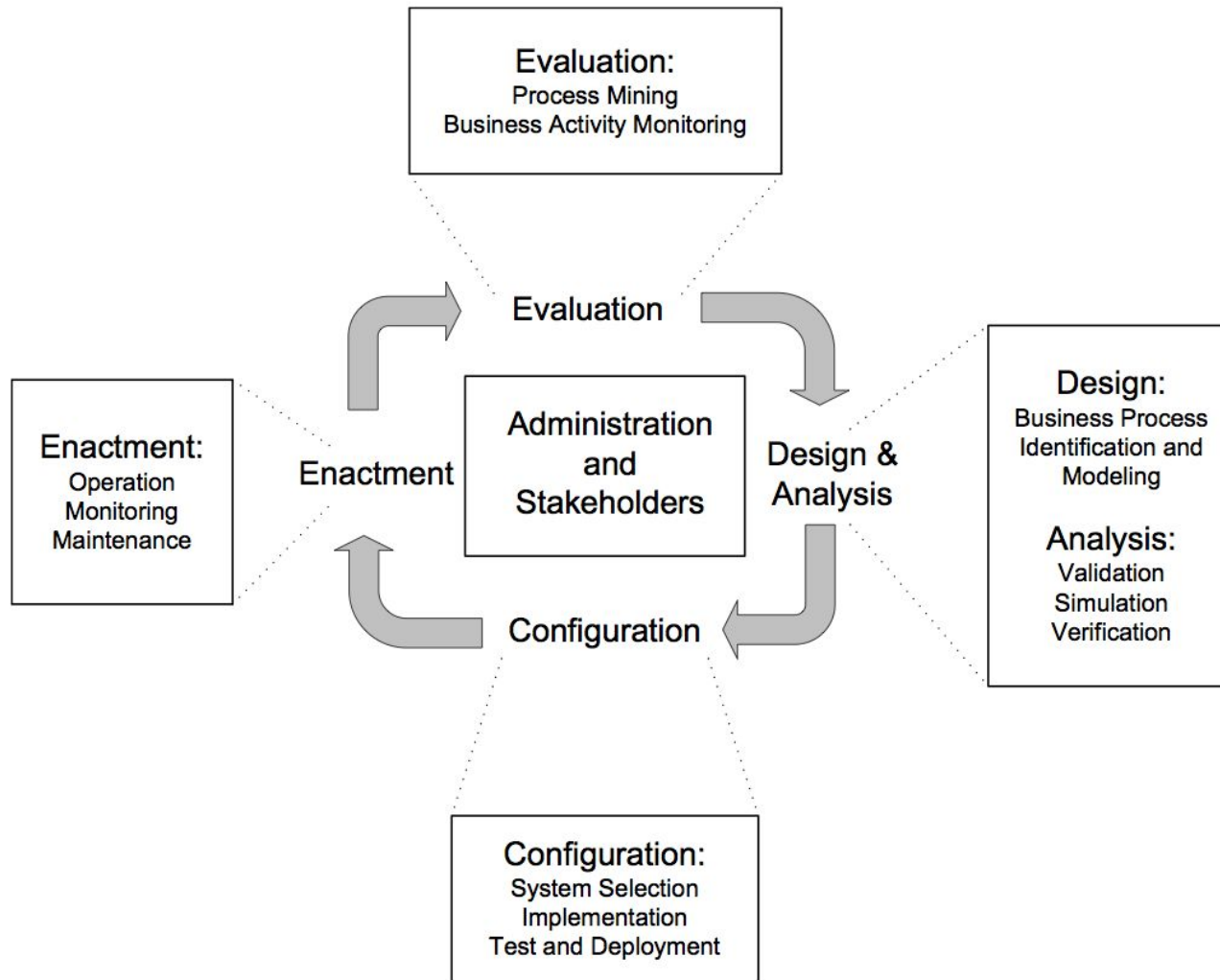
M. Weske: Business Process Management,  
© Springer-Verlag Berlin Heidelberg 2012, 2007

**Fig. 1.3.** Interacting business processes form process choreography



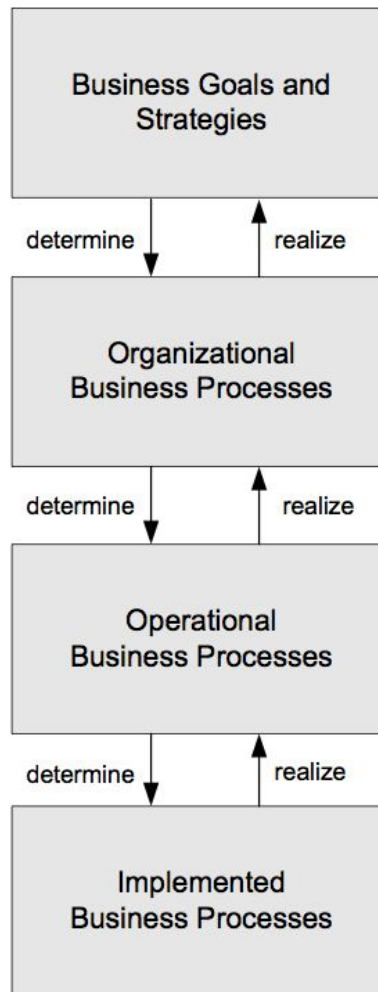
M. Weske: Business Process Management,  
© Springer-Verlag Berlin Heidelberg 2012, 2007

Fig. 1.4. Variant of reseller process with interacting business process



M. Weske: Business Process Management,  
© Springer-Verlag Berlin Heidelberg 2012, 2007

**Fig. 1.5.** Business process lifecycle



M. Weske: Business Process Management,  
© Springer-Verlag Berlin Heidelberg 2012, 2007

**Fig. 1.6.** Levels of business processes: from business goals and strategies to implemented business processes