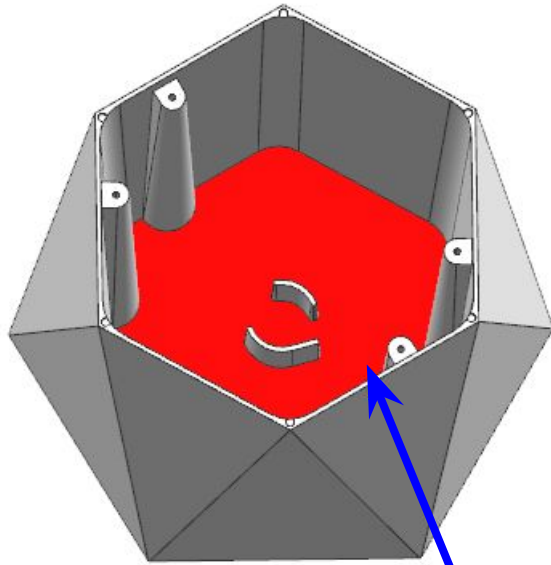
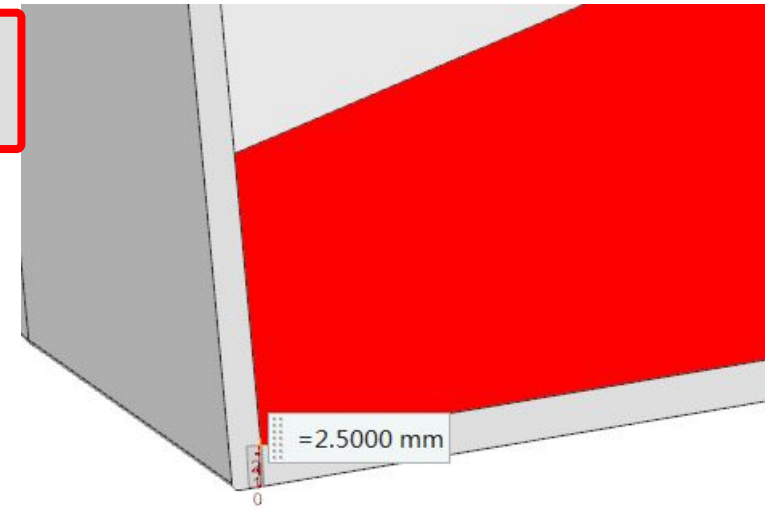


# 1.问题点Question

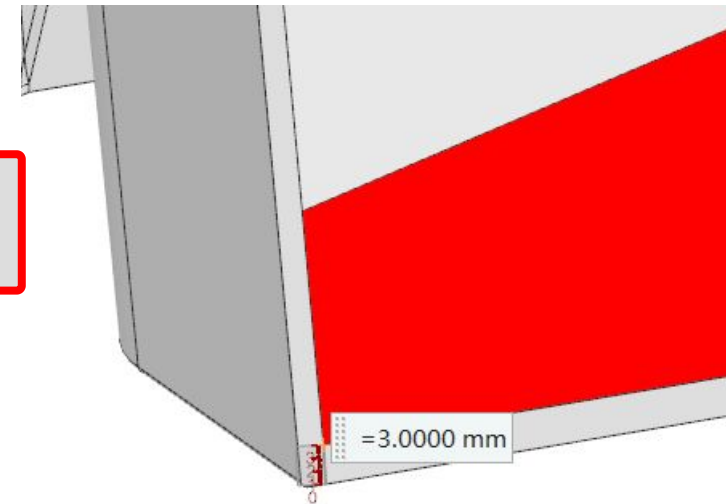
please refer to 3D drawings.

before modification



The red area is too thin, product is not easy for injection. We suggest to add 0.5mm thickness. From 2.5mm to 3mm, please confirm if it is okey?

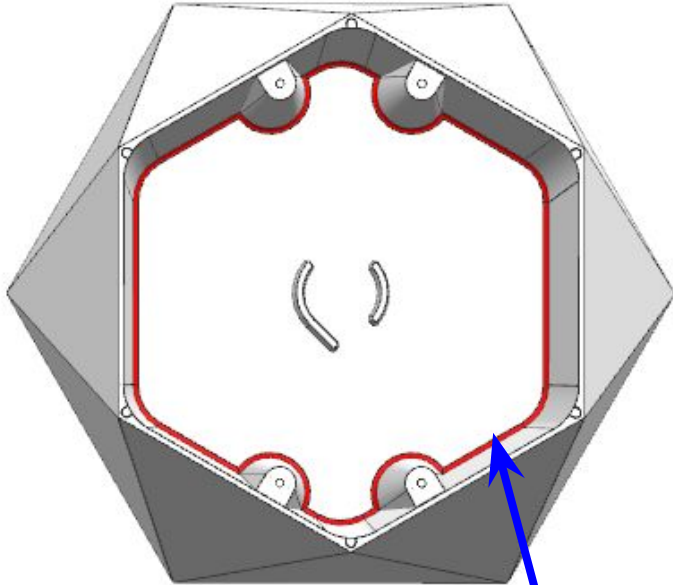
after modification



## 2.问题点 Question 2

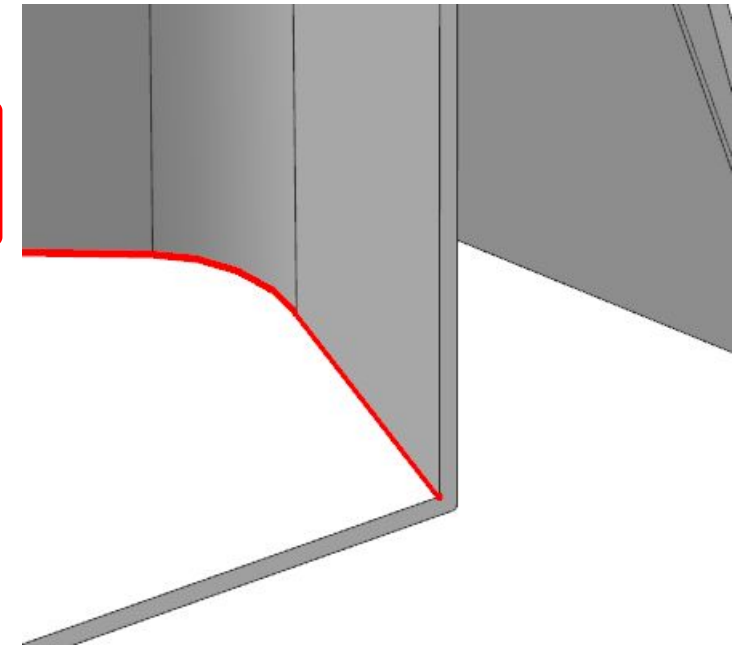
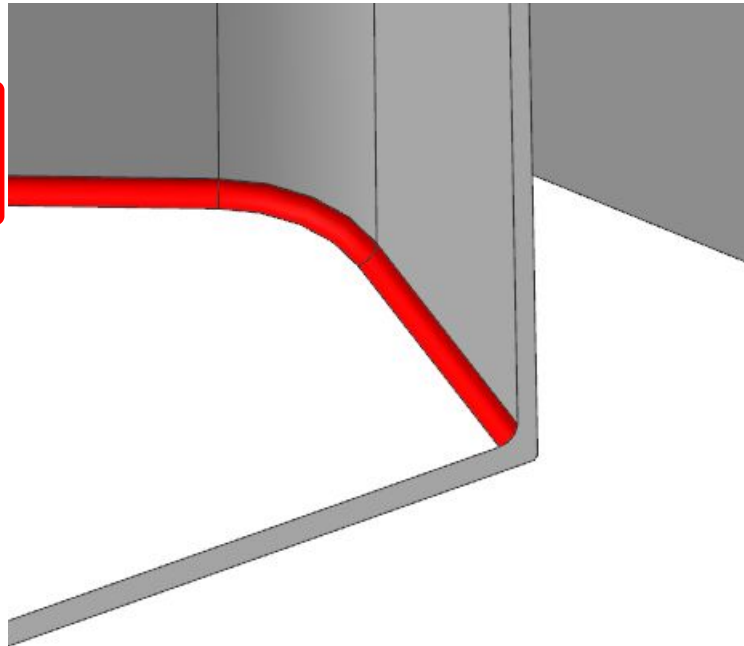
please refer to 3D drawing.

before modification



The red line of the product is a sharp corner, the product is not easy to produce, it is recommended to add a round corner of R2mm as shown in the figure. please confirm if it is okay ?

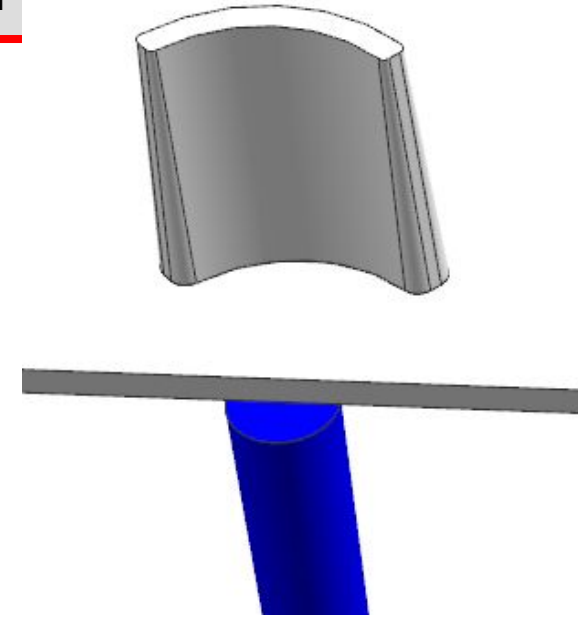
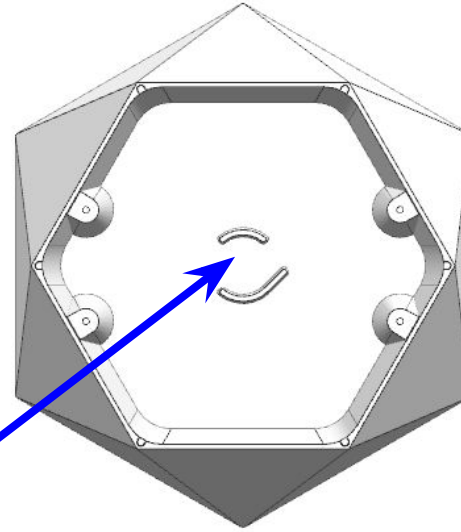
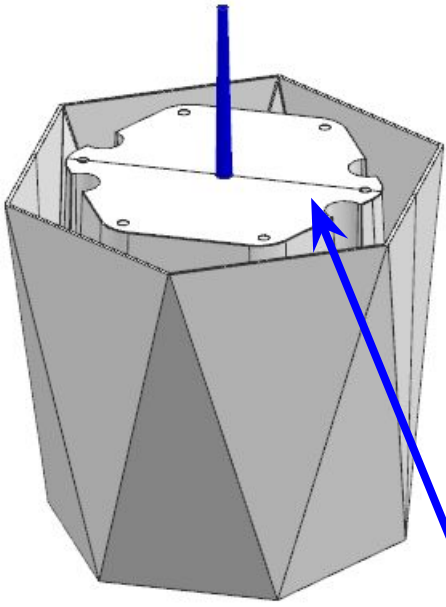
after modification



### 3.问题点Question 3

refer to 3D drawing

before modification



after modification

The blue shape is gate position. it is recommended to add a boss with a diameter of 16X1mm as shown in the red area of the product, which is convenient for injection. Please confirm if it is okey?

