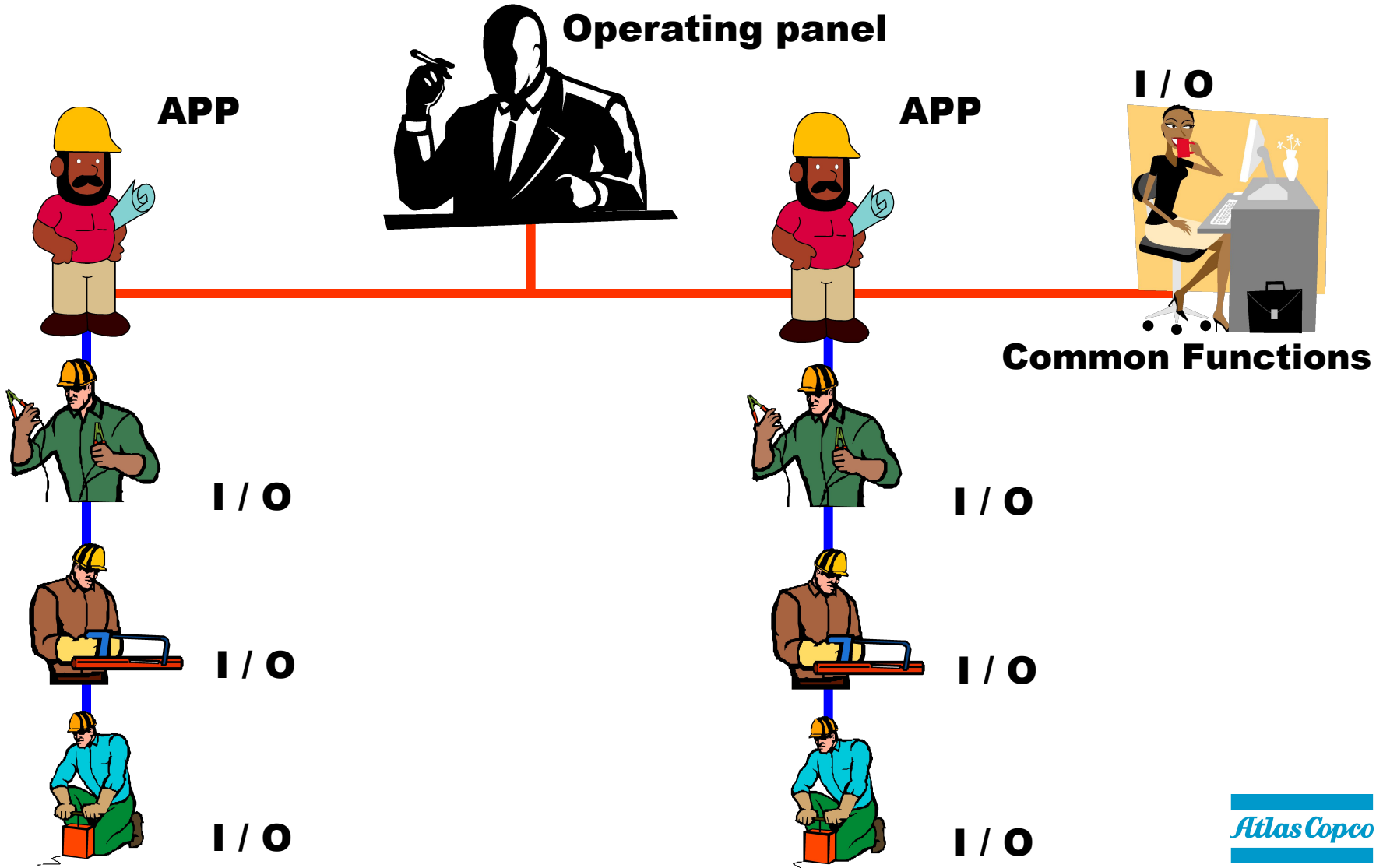
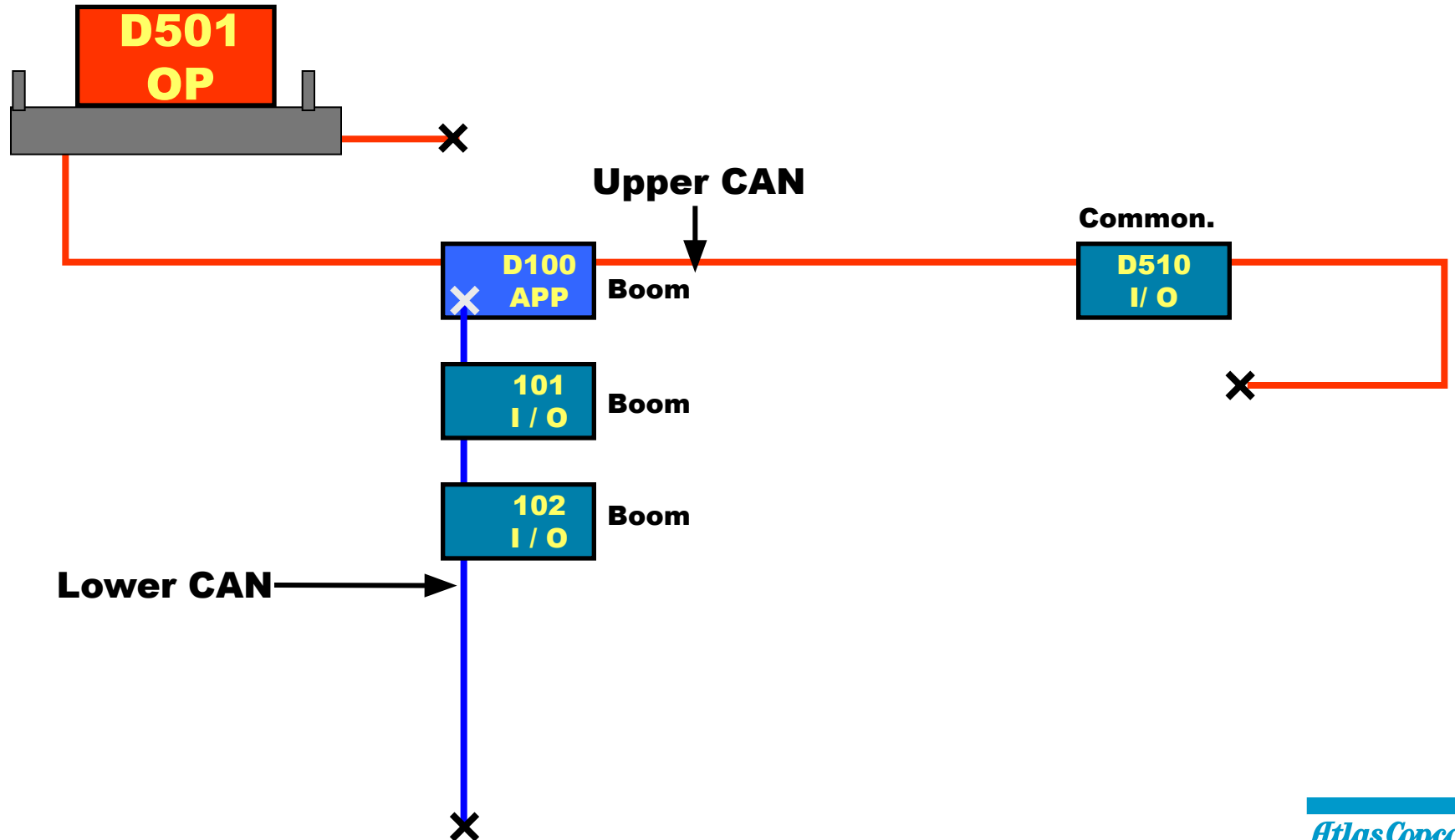


# System Principal



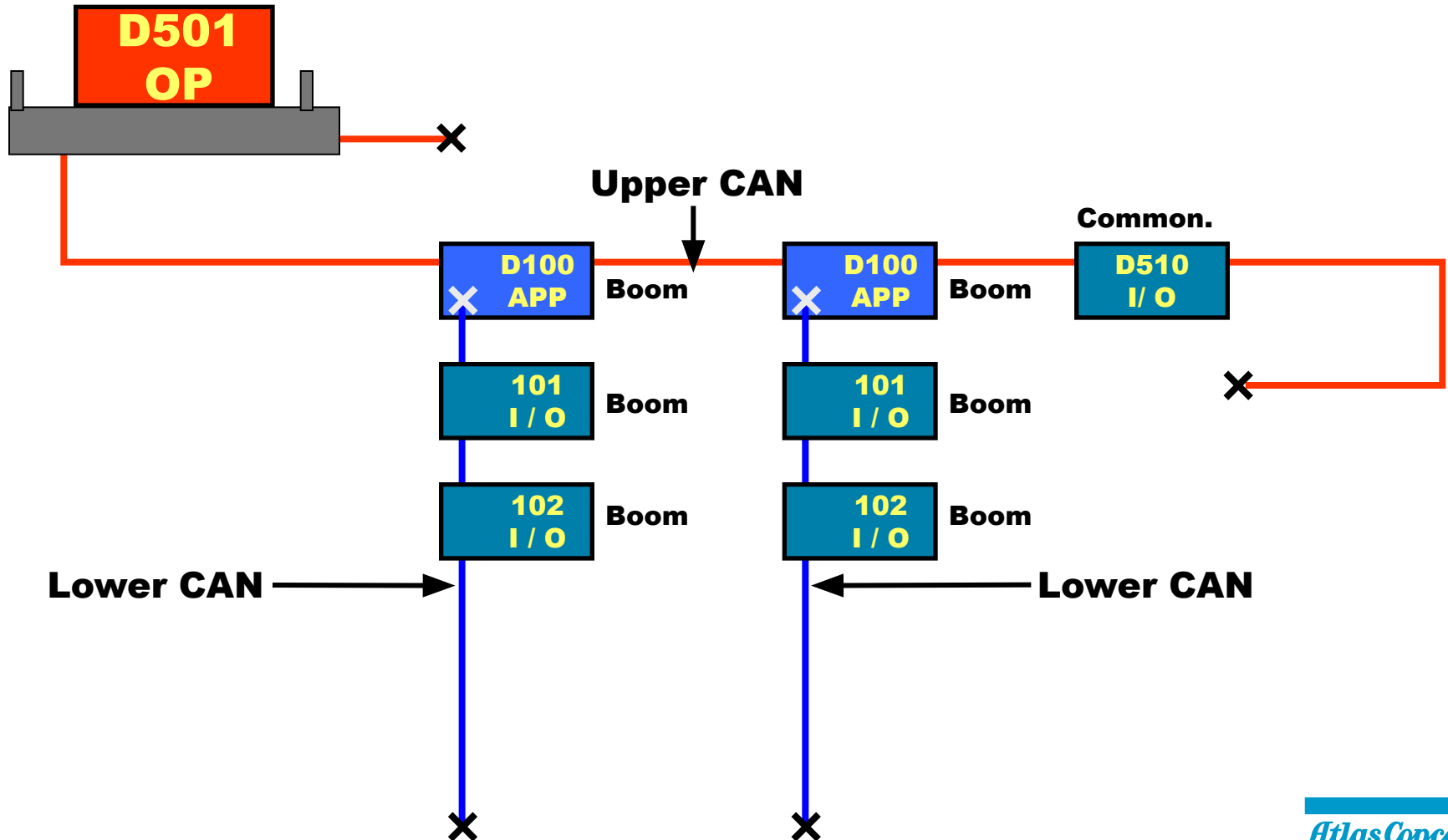
# System structure example

## 1 Boom system (eg. Boltec)



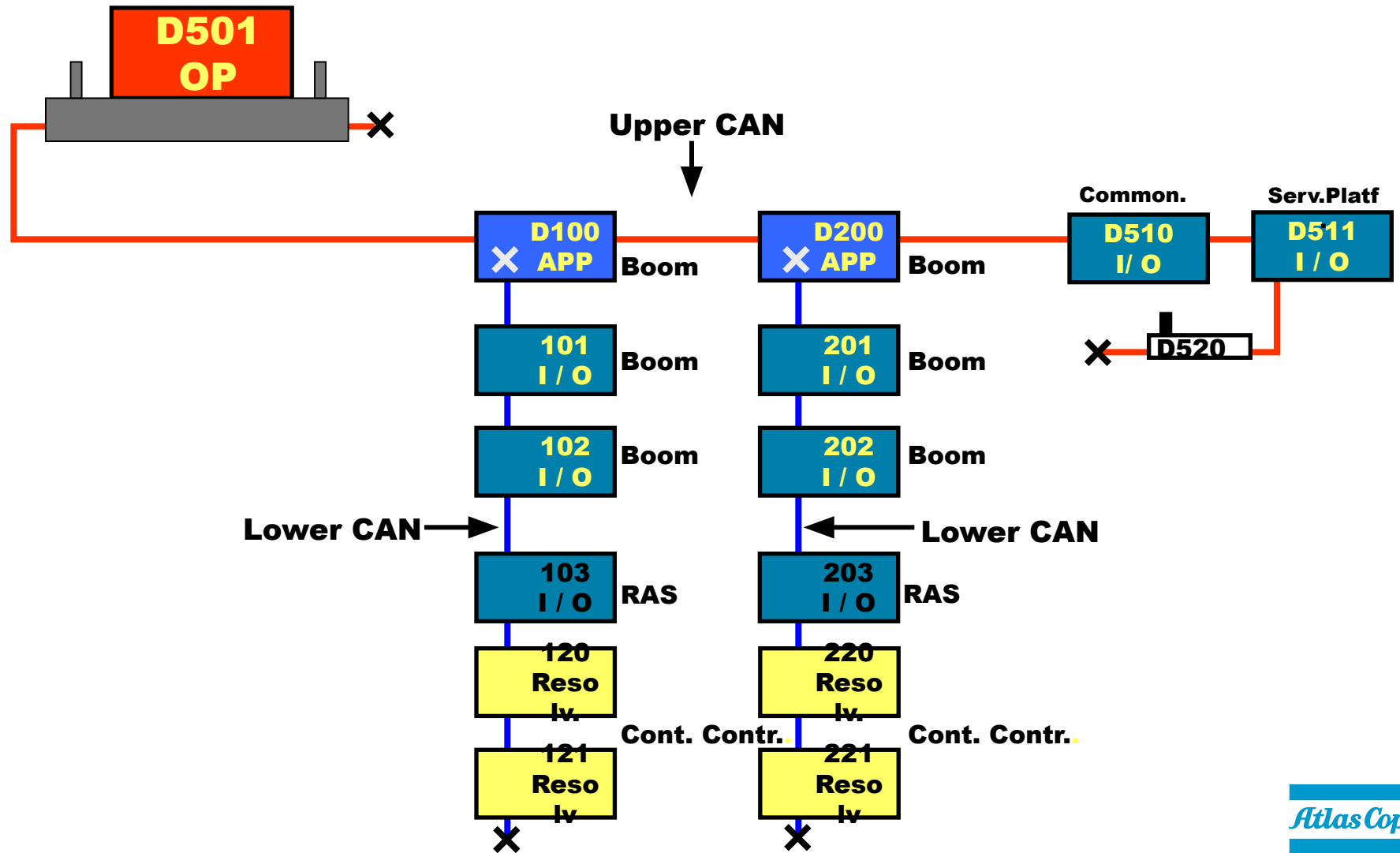
# System structure example

2 Boom system (eg L2C)



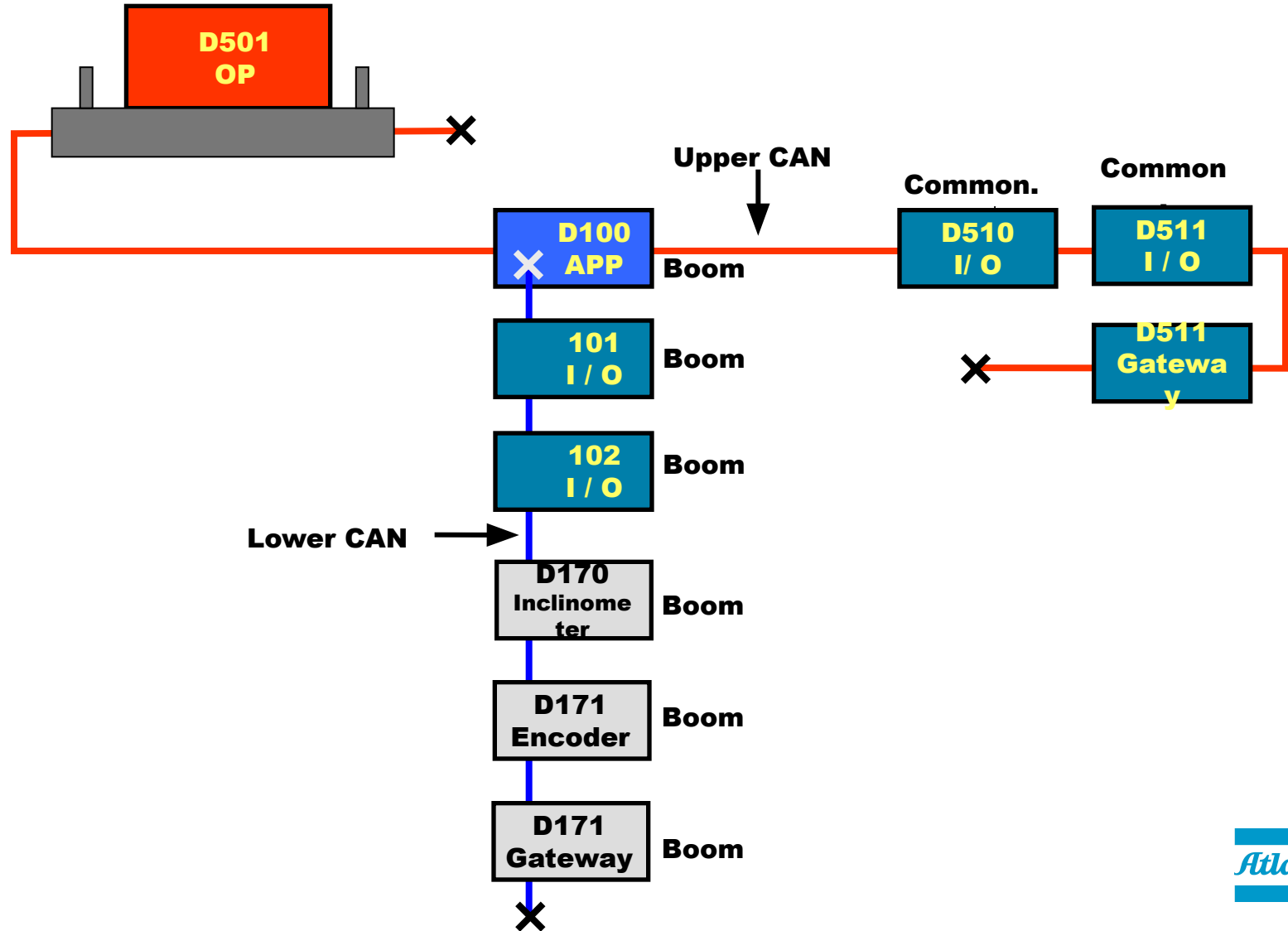
# System structure example

2 Boom system, ex Boomer L2 C With options

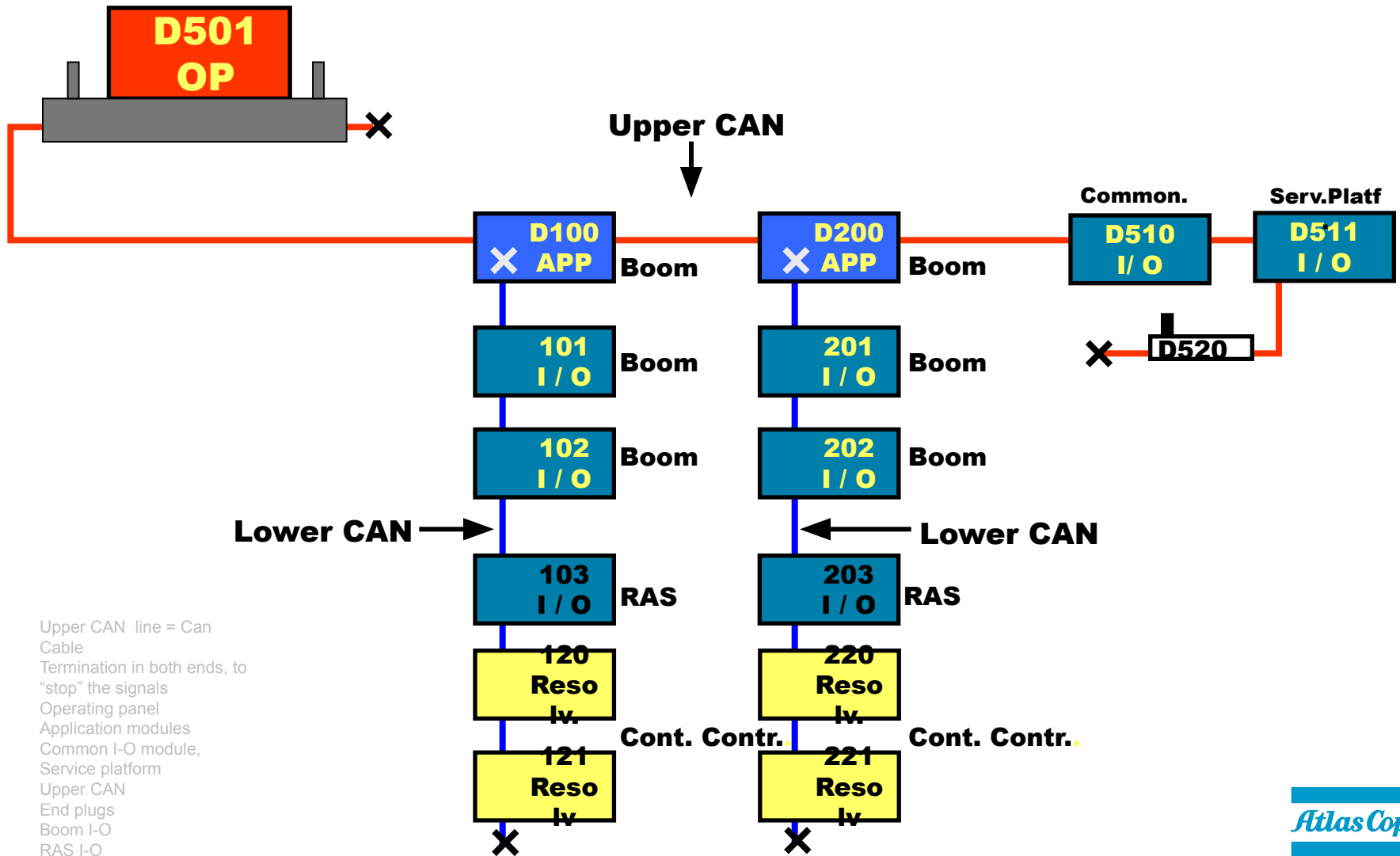


# System structure principal

ROC F9C



# System structure principal



1. Upper CAN line = Can Cable
2. Termination in both ends, to "stop" the signals
3. Operating panel
4. Application modules
5. Common I-O module, Service platform
6. Upper CAN
7. End plugs
8. Boom I-O
9. RAS I-O
10. Resolver modules

# Plugs

## Endplugs and adressplugs

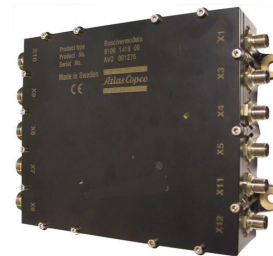


### Address plugs

0-9106 1324 90  
1-9106 1324 91  
2-9106 1324 92  
3-9106 1324 93

End plug (120 Ohm)

9106 1324 38

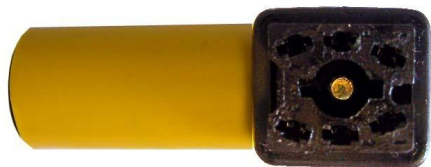


### Address plugs

0-9106 1324 30  
1-9106 1324 31  
2-9106 1324 32  
3-9106 1324 33

End plug (120 Ohm)

9106 0968 00



# System structure

## Plugs

○  
0

⊗

0 ○

1 ○

0 □

1 □

0 □

0 □

⊗ D520 ○ 0

1 □

1 □

2 □

2 □

0 ○

0 ○

1 ○

1 ○

⊗

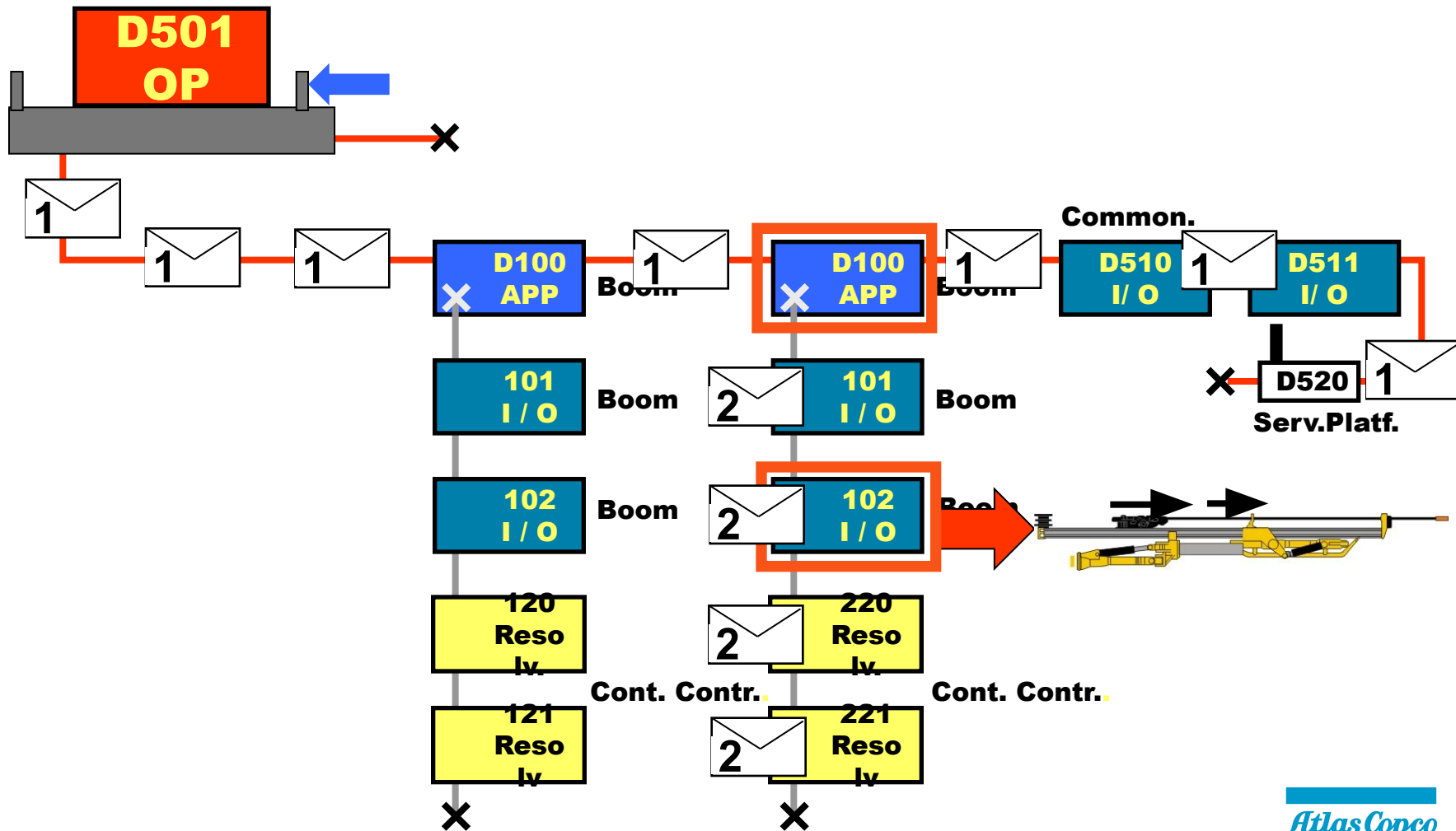
⊗

1. End plugs
2. Operators panel Add 0
3. App Add 0 for boom 1,
4. App Add 1 for boom 2
5. Master add 3
6. I/O common Add 0  
I/O serv plat Add 1.
7. Lever serv plat Add 0
8. I/O boom 1 Add 0,1,2
9. Resolver boom 1 Add 0,1
10. Boom 2 I/O 0,1,2  
Boom 2 resolver Add 0,1



# CAN Adress example

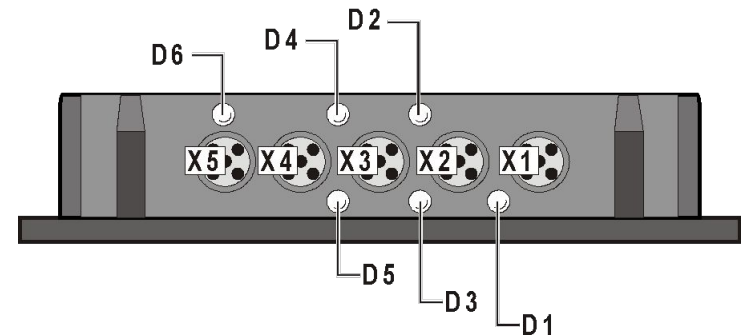
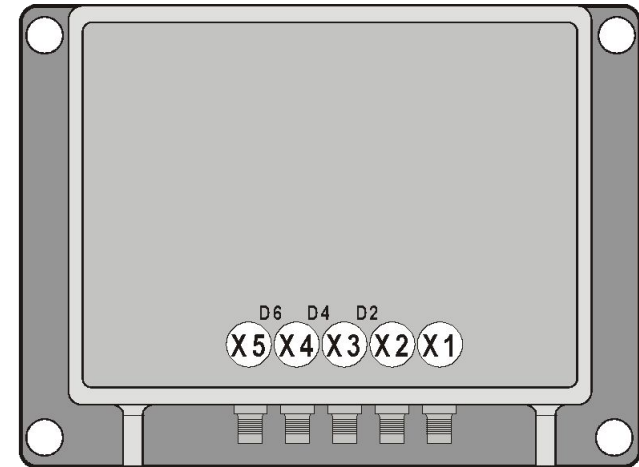
Feed forward on boom 2



# Connections on modules

## Application module/Master module/CCI

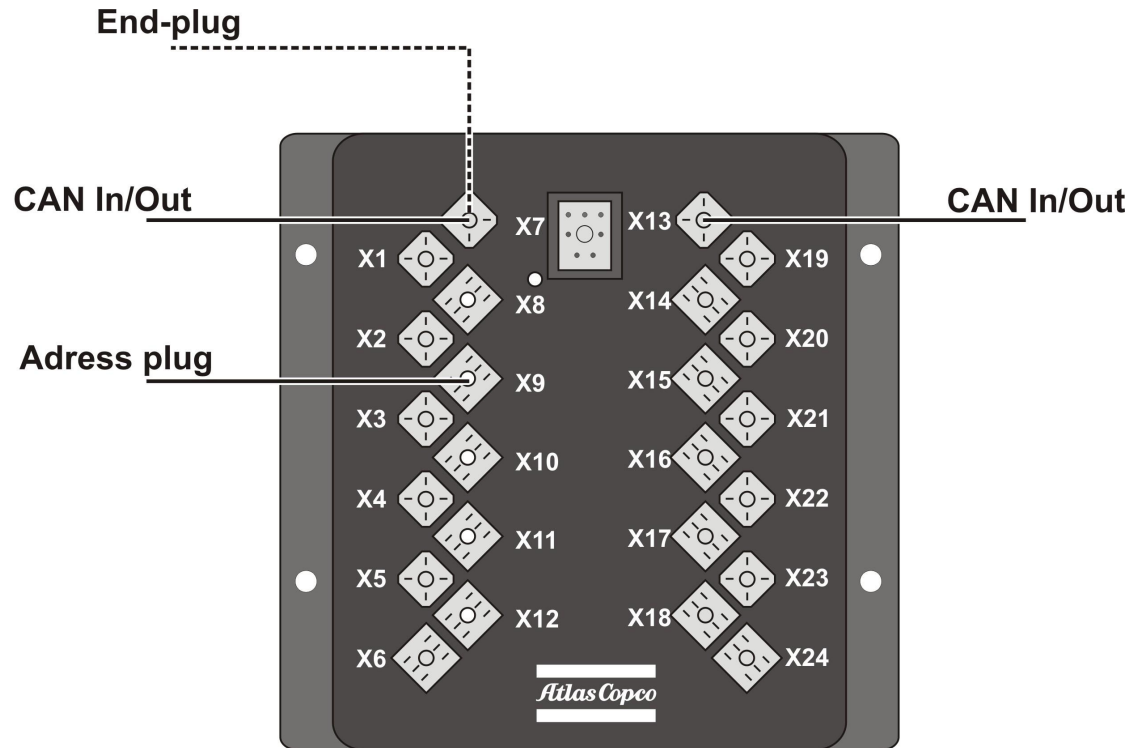
- Connections
  - X1 Power supply
  - X2 CAN in/out (Lower CAN Communication)
  - X3 CAN in/out (Lower CAN Communication)
  - X4 CAN in/out (Upper Communication)
  - X5 Address plug
- Diodes
  - D1 Power Supply
  - D2 Lower CAN Status
  - D3 Lower CAN Power Supply
  - D4 Upper CAN Status
  - D5 CAN 1 Power supply
  - D6 Module status



# Connections on modules

## I/O Module

- Diode
  - 1 time/ sec = OK
  - 2 time/Sec = No connection in CANBUS System
  - 5 time/Sec = Boot up



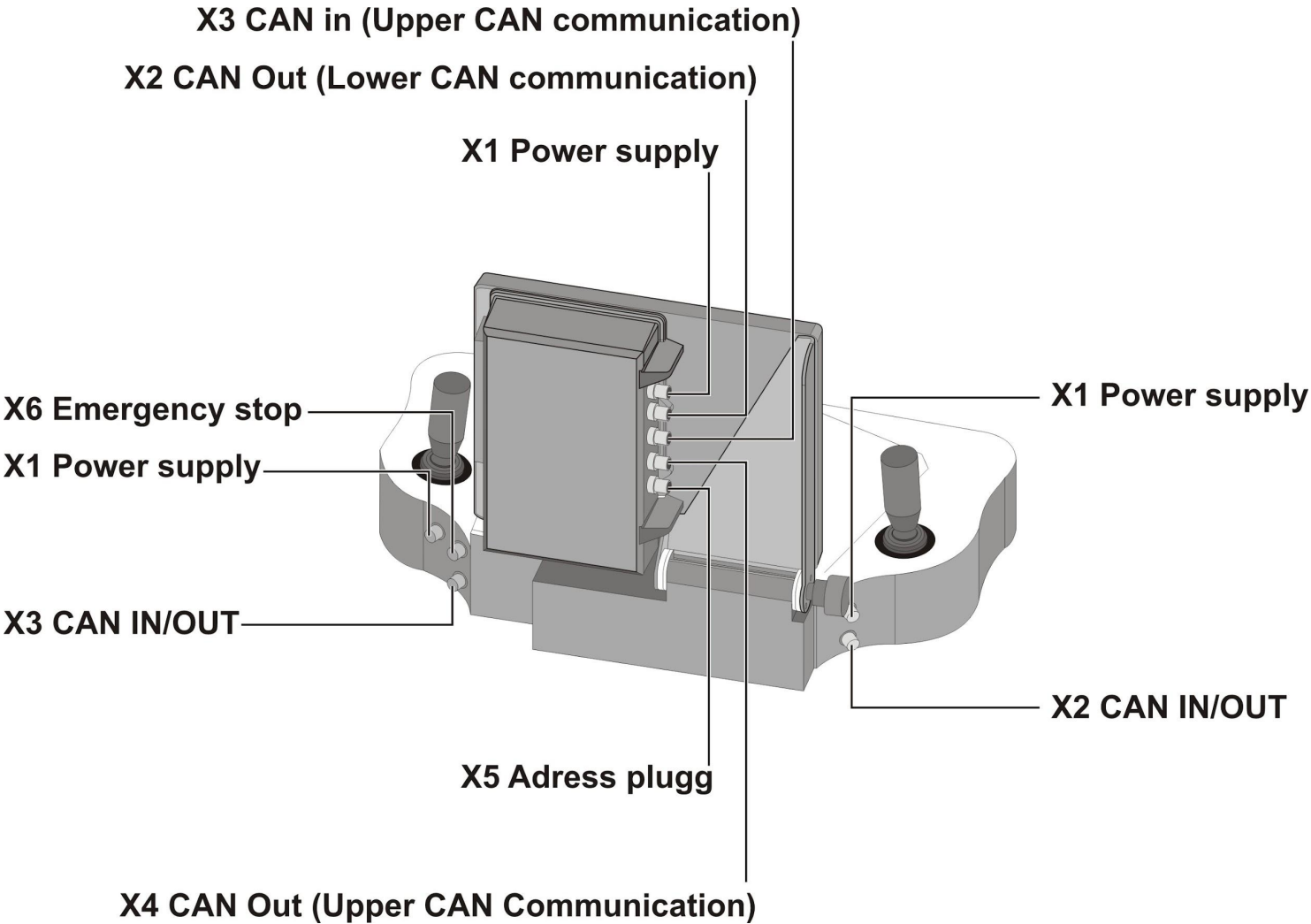
# Connections on modules

## Resolver module



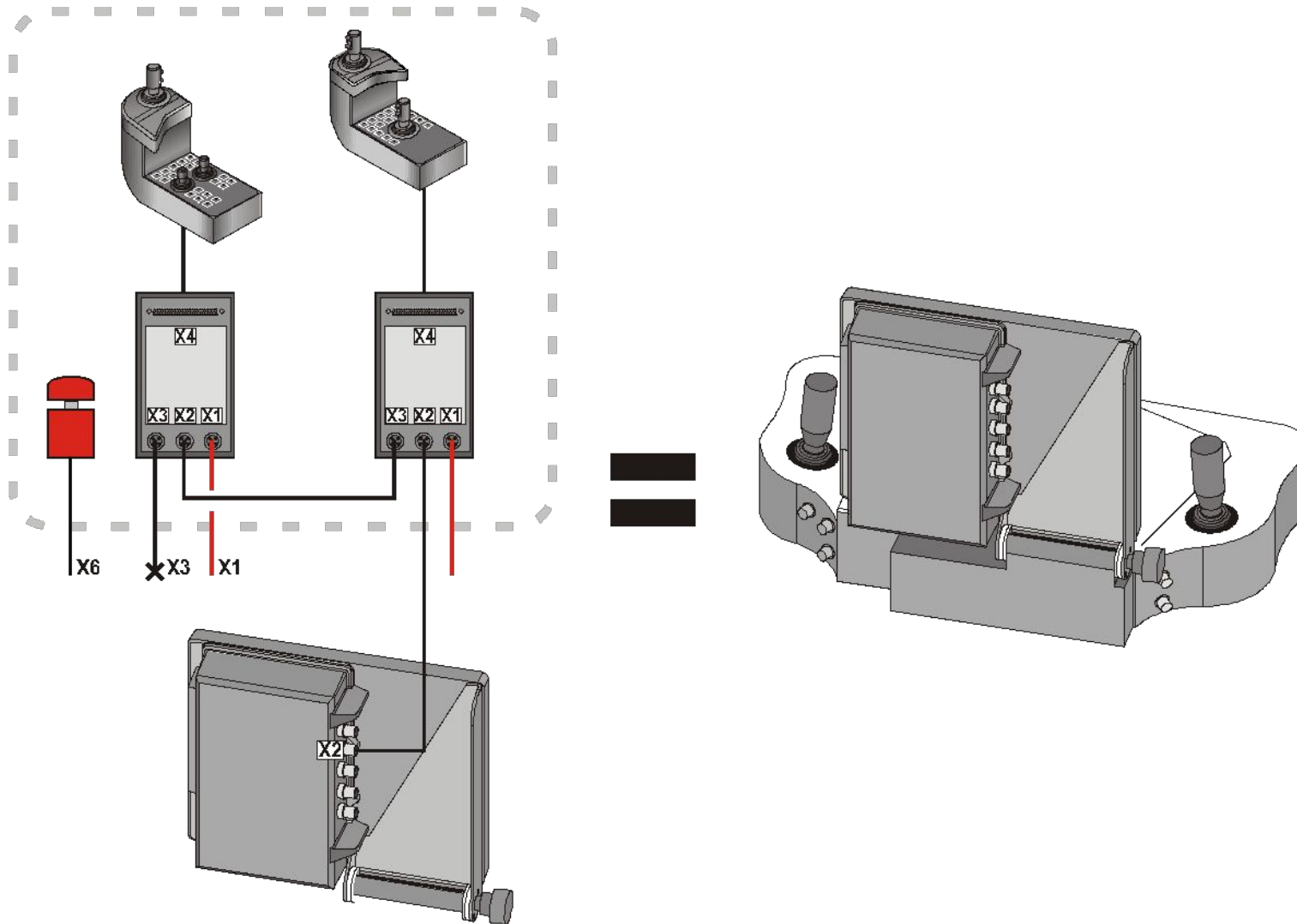
# Connections on modules

## Operating panel/Display

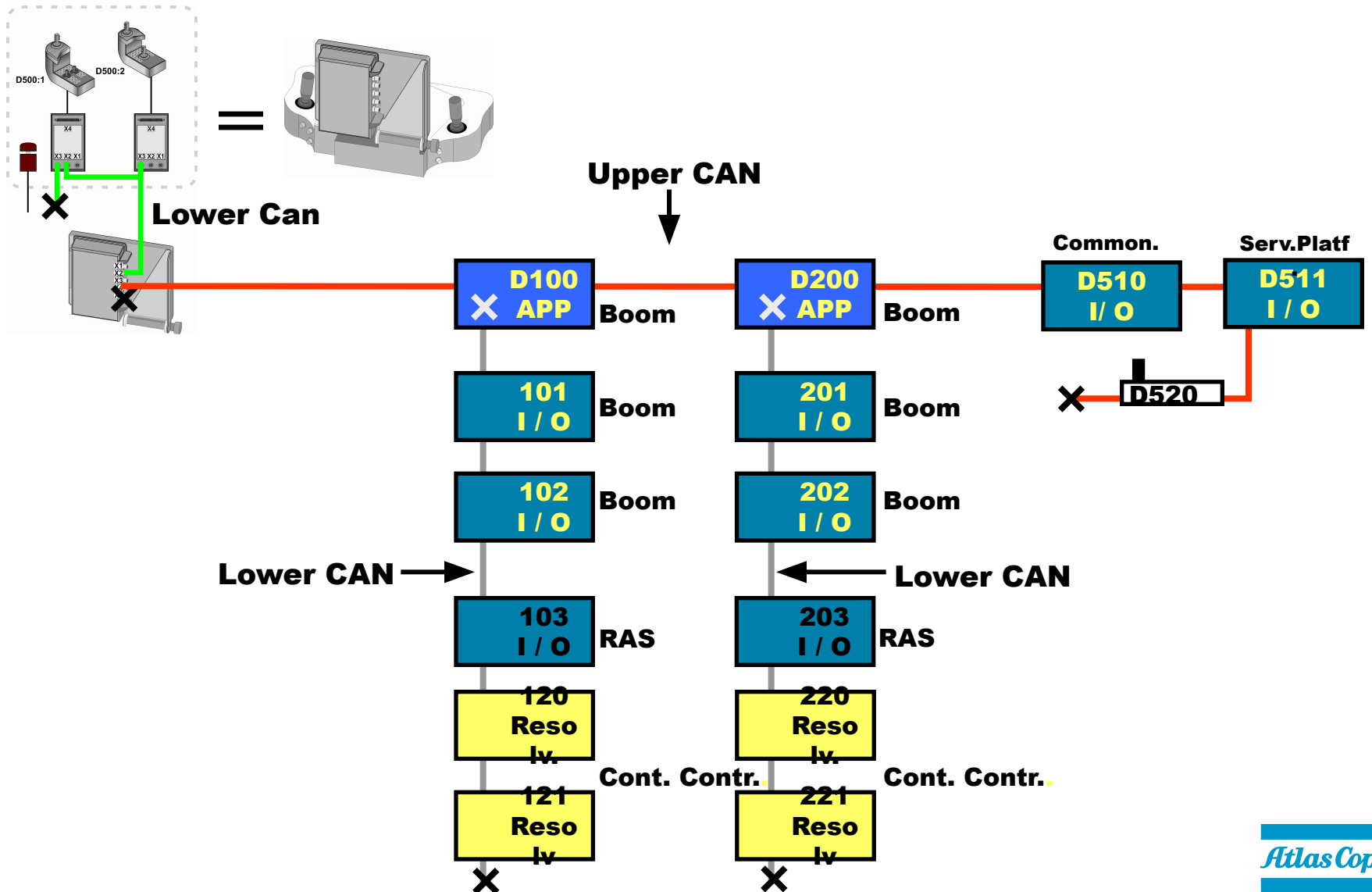


# Connections on modules

## Decoder modules in the operating panel

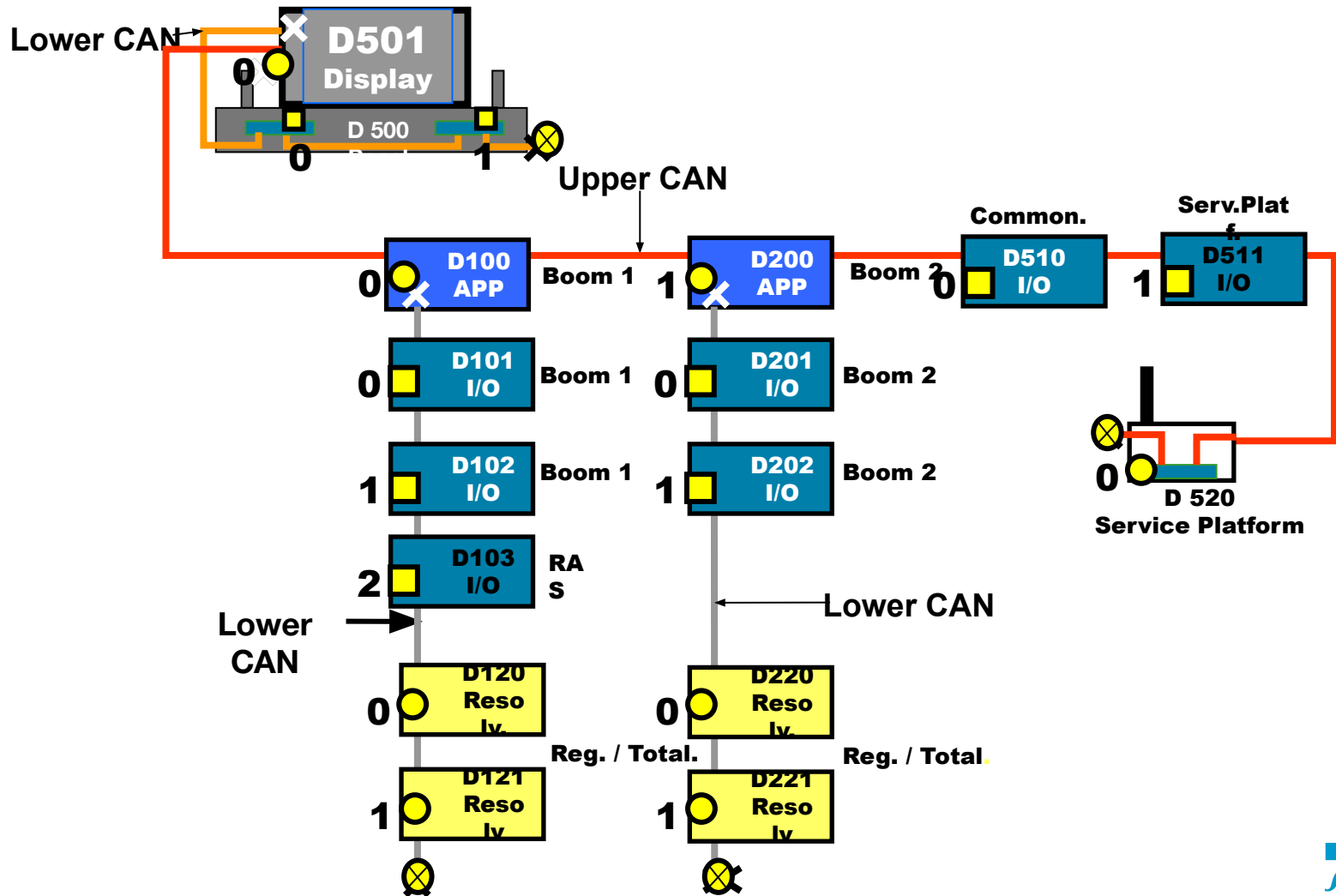


# System structure principal



# System structure

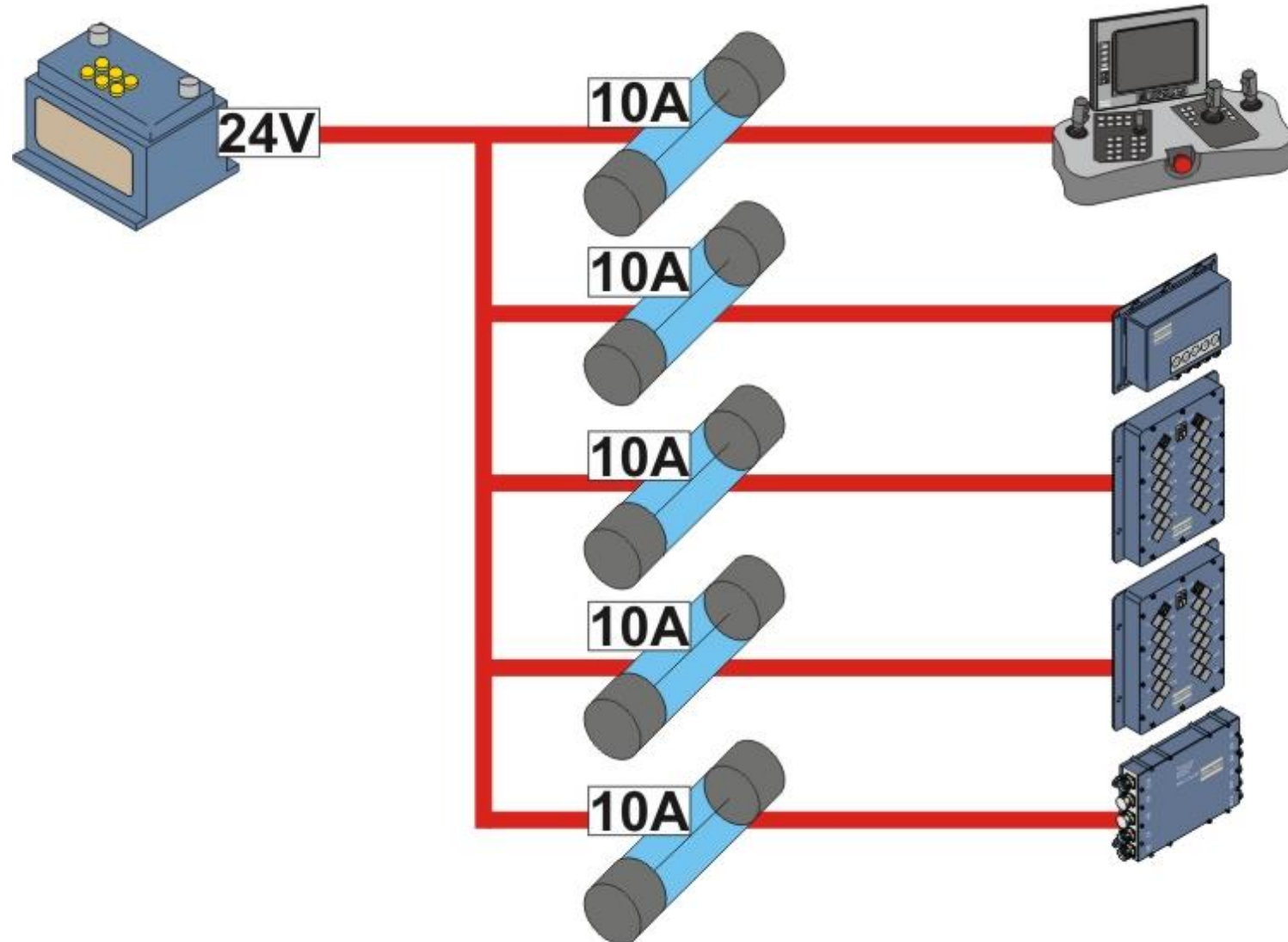
With all addresses and end plugs





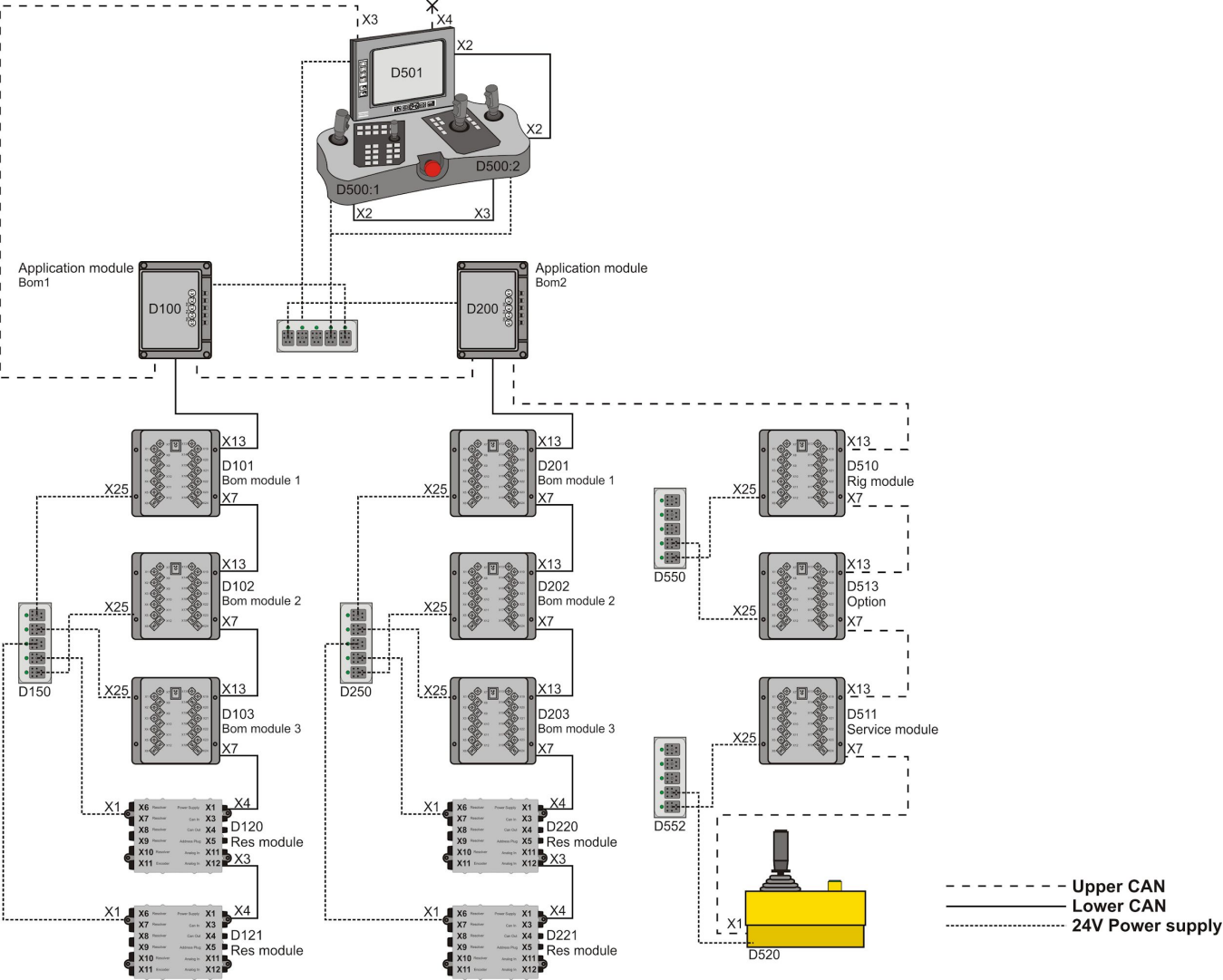
# CAN Power supply

Principal of fuses to the modules



# Drawing example

## Boomer L2C

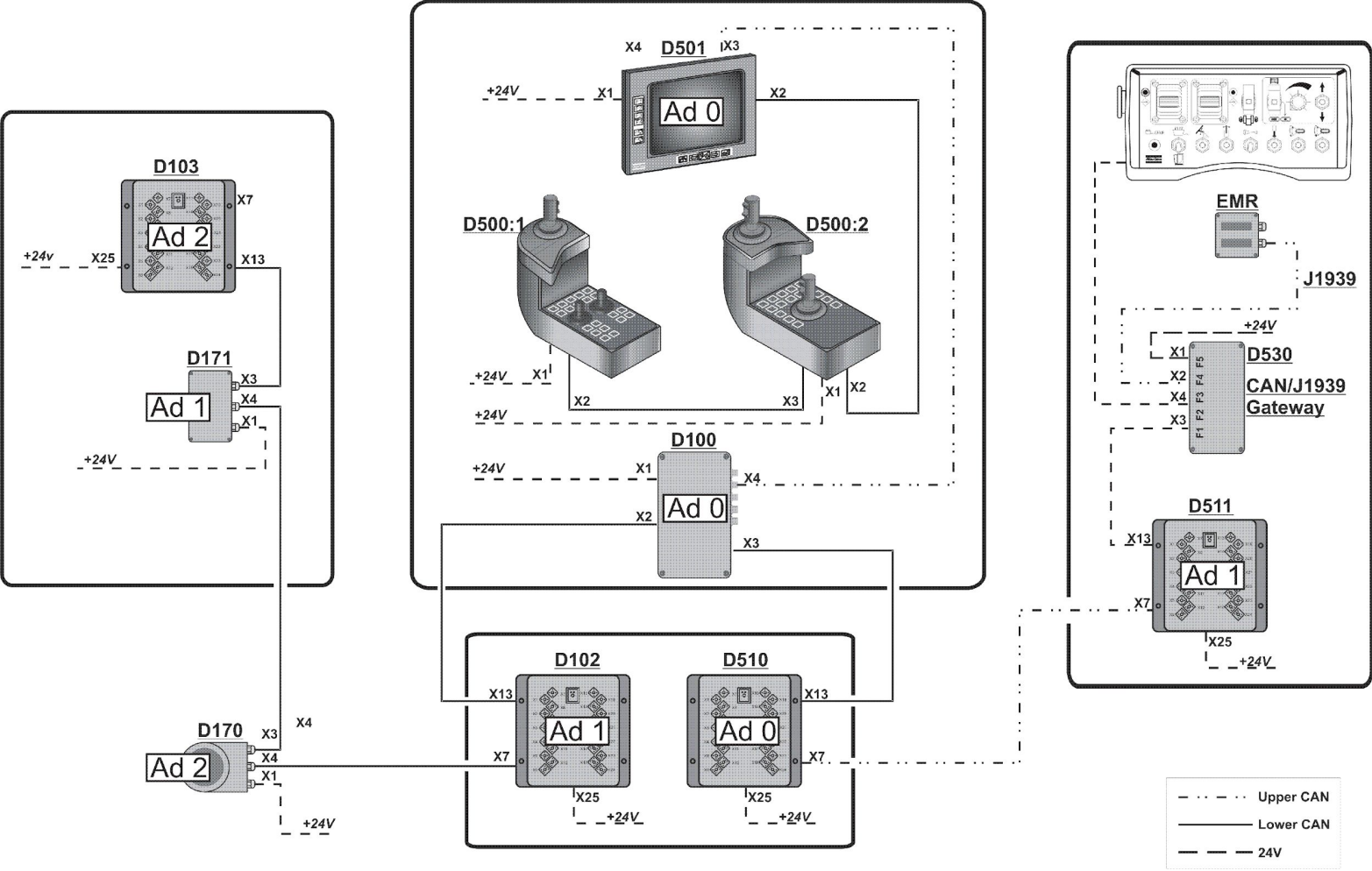


- - - - Upper CAN  
 \_\_\_\_\_ Lower CAN  
 . . . . . 24V Power supply



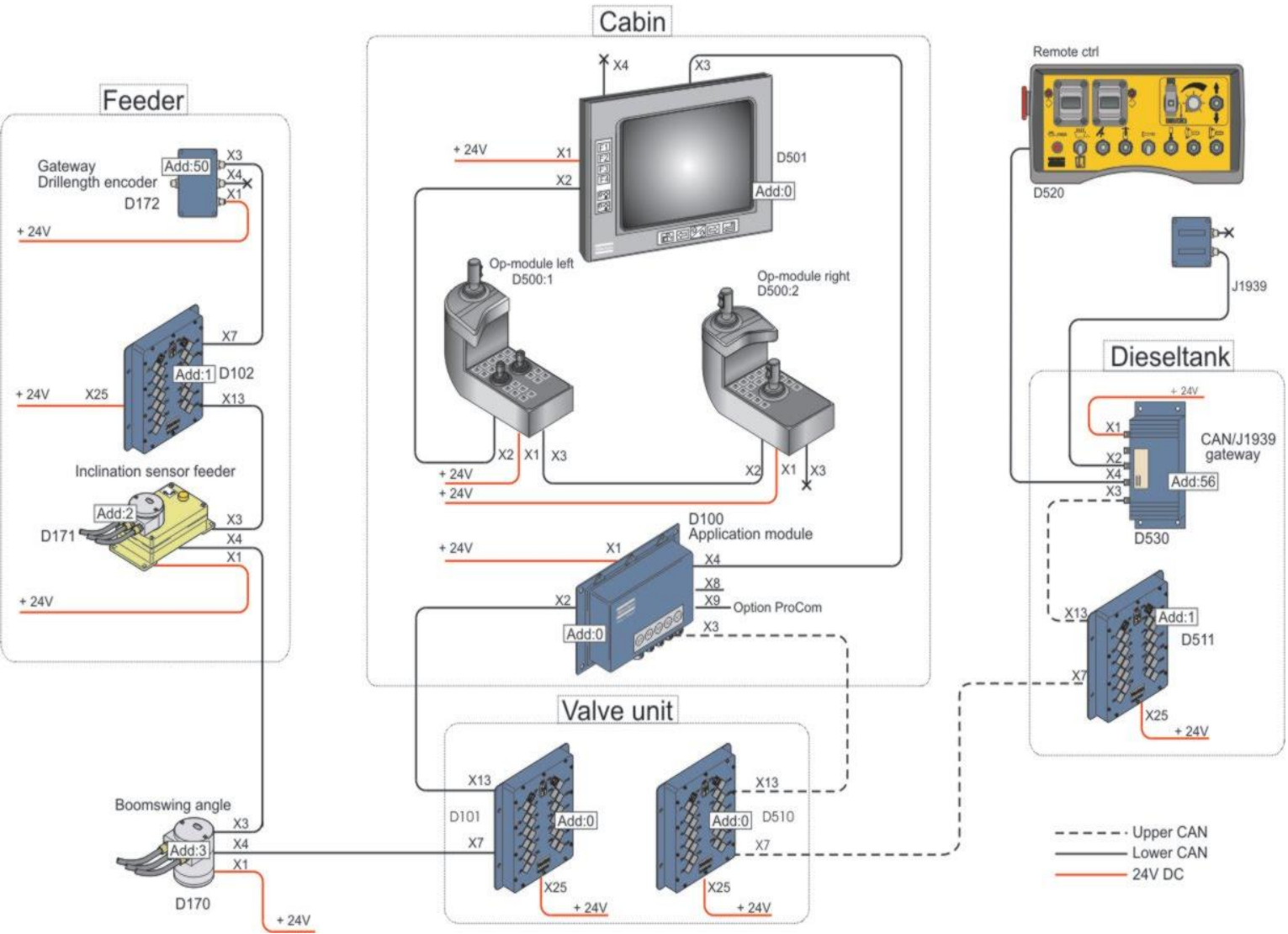
# Drawing example

## ROC D7C

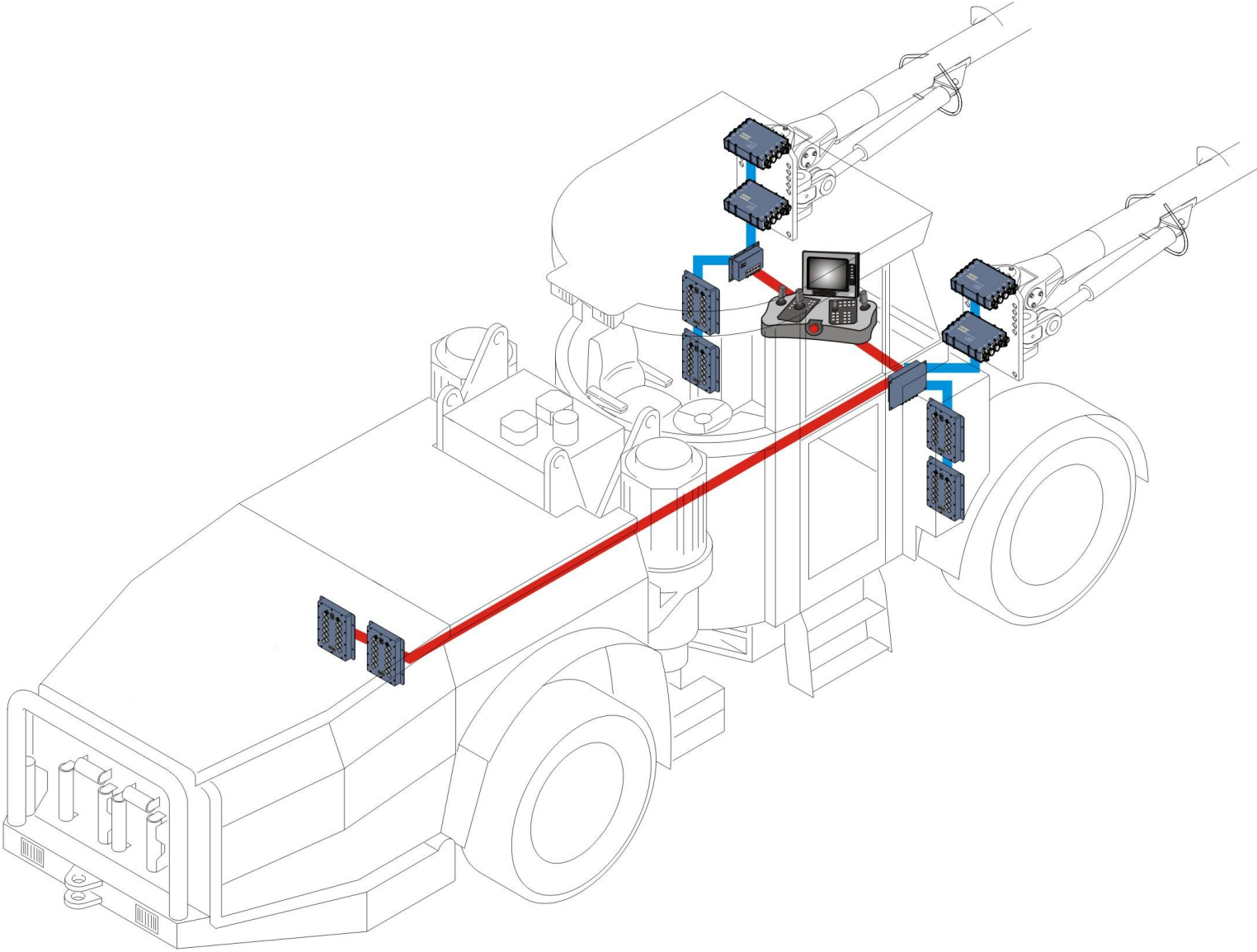


# Drawing example

## ROC F9C



# CAN on rig



**We are committed to your  
superior productivity through  
interaction and innovation.**



*Atlas Copco*

