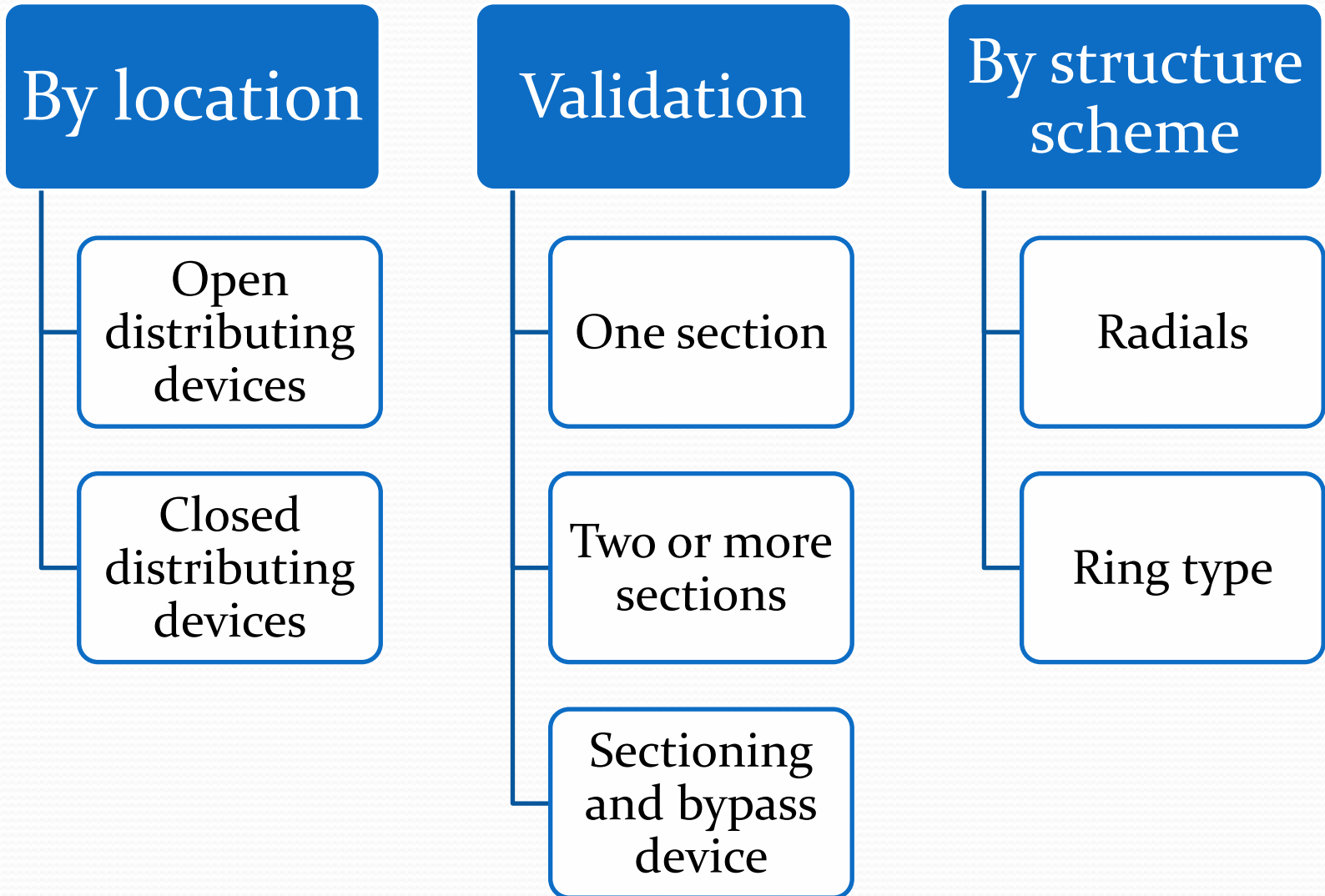


Designs of distributing devices

Distributing devices - electrical installation serving for the reception and distribution of electric energy of the same voltage class.



Classification



Open distributing devices

Open distributing devices - distributors, who have the power wires are located in the open air without protection from the environment.



Advantages

- Allow the use of arbitrarily large electrical devices than, in fact, due to their use of high-voltage class
- Making does not require additional costs for the construction of buildings
- User-friendly in terms of expansion and modernization
- Possibility of visual observation of all devices

Disadvantages

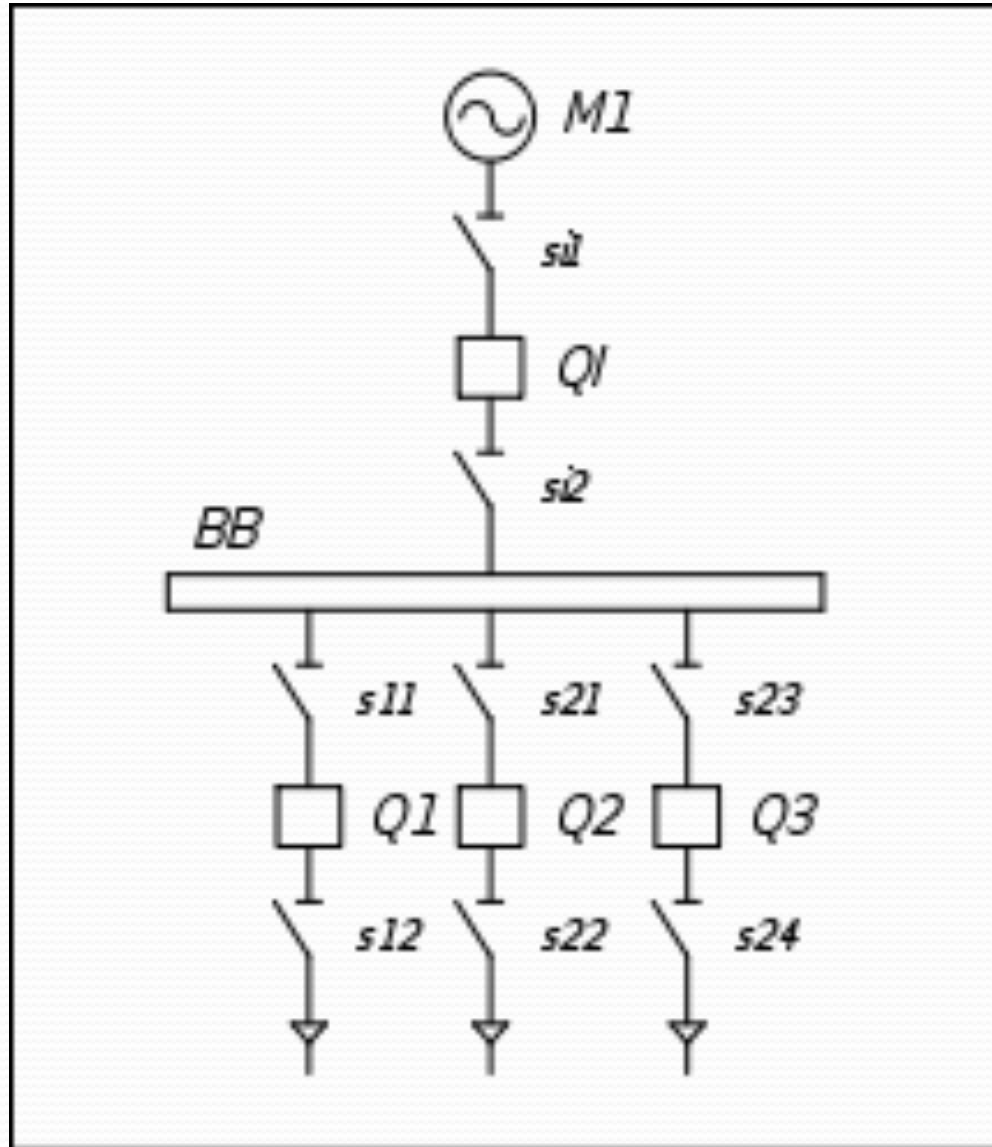
- Operation difficult in adverse weather conditions, the environment strongly influences the elements that leads to early wear
- Take up much more space

Closed distributing devices

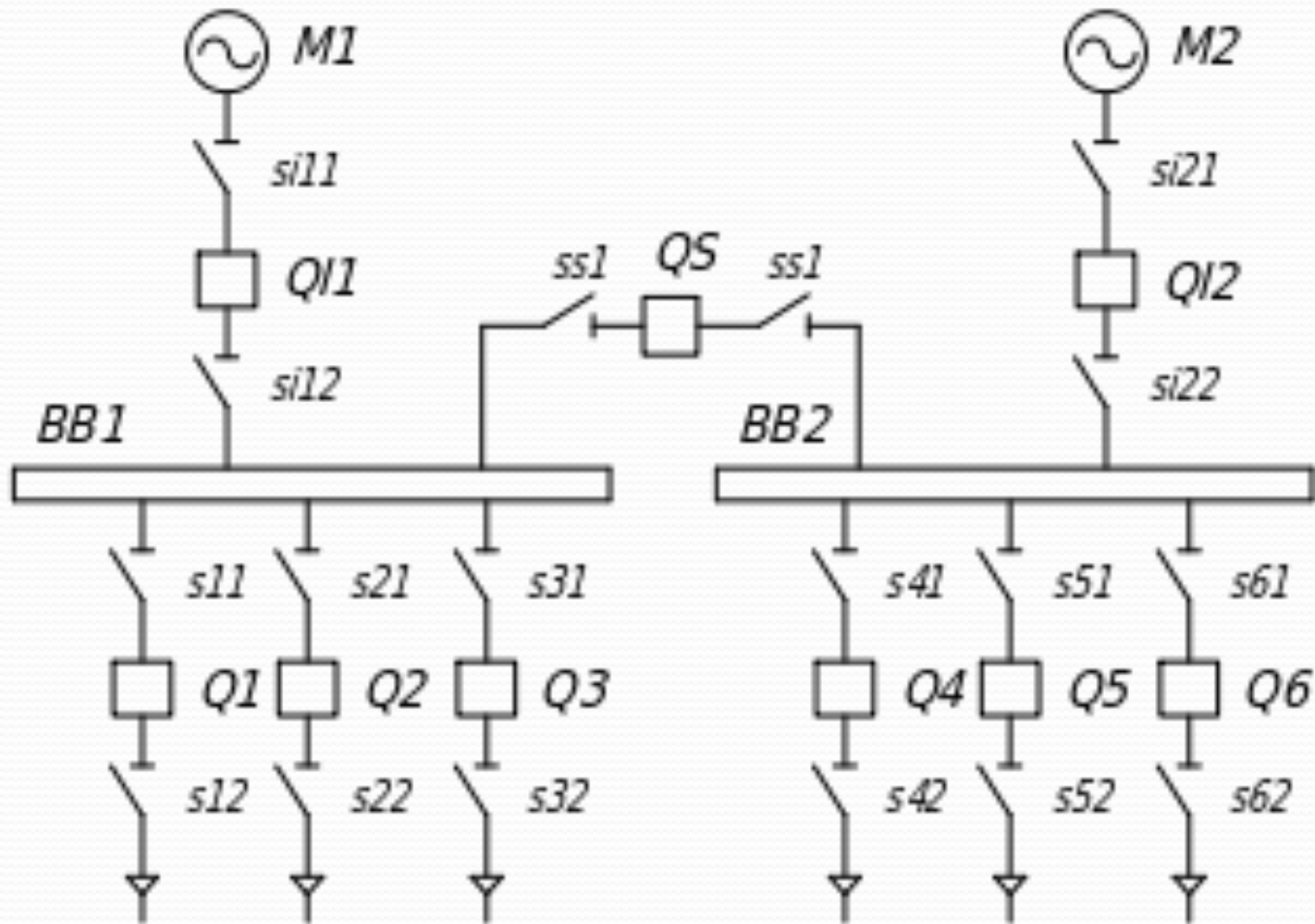
Closed distributing devices - distributing devices equipment which is installed in closed spaces.



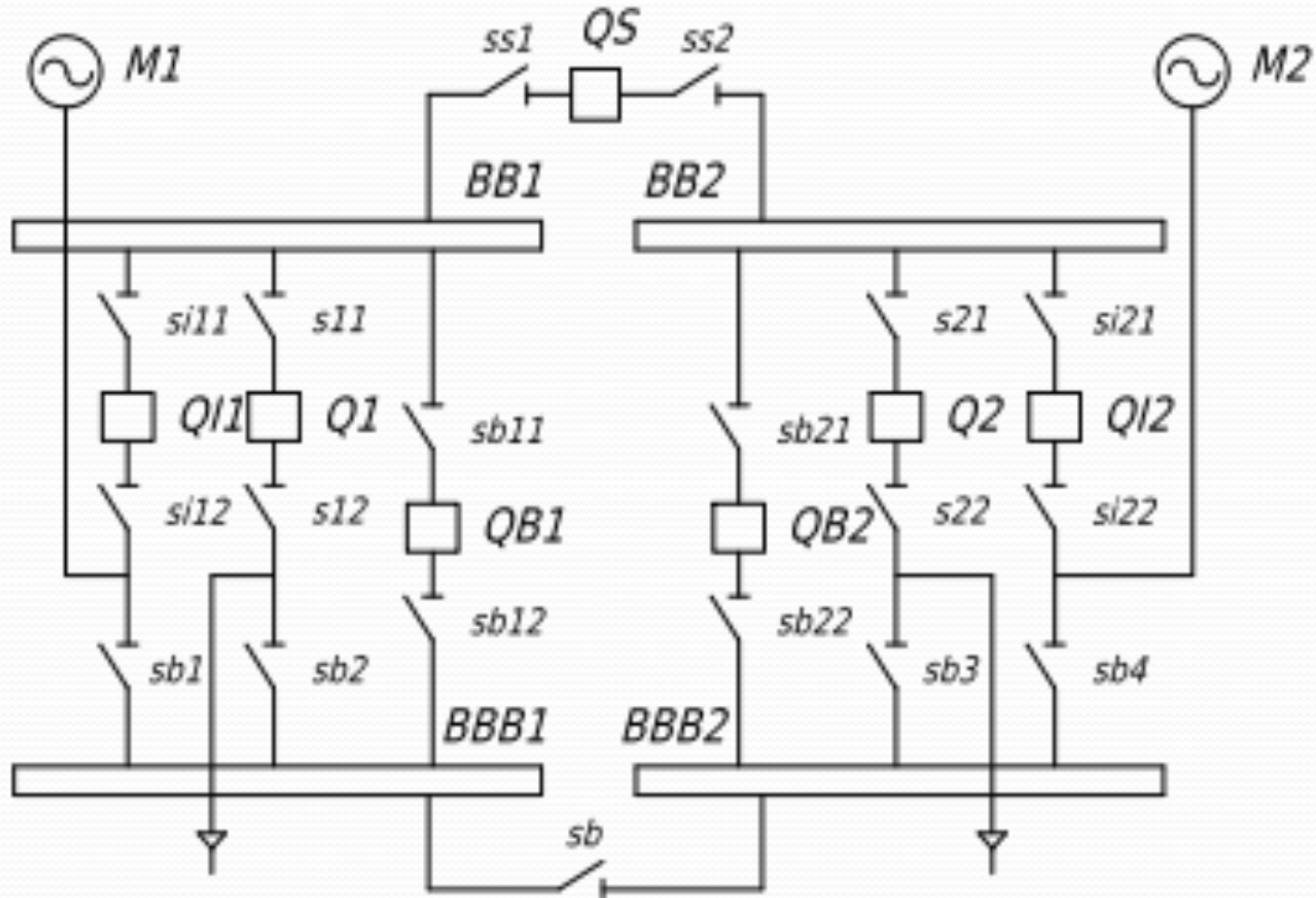
One section



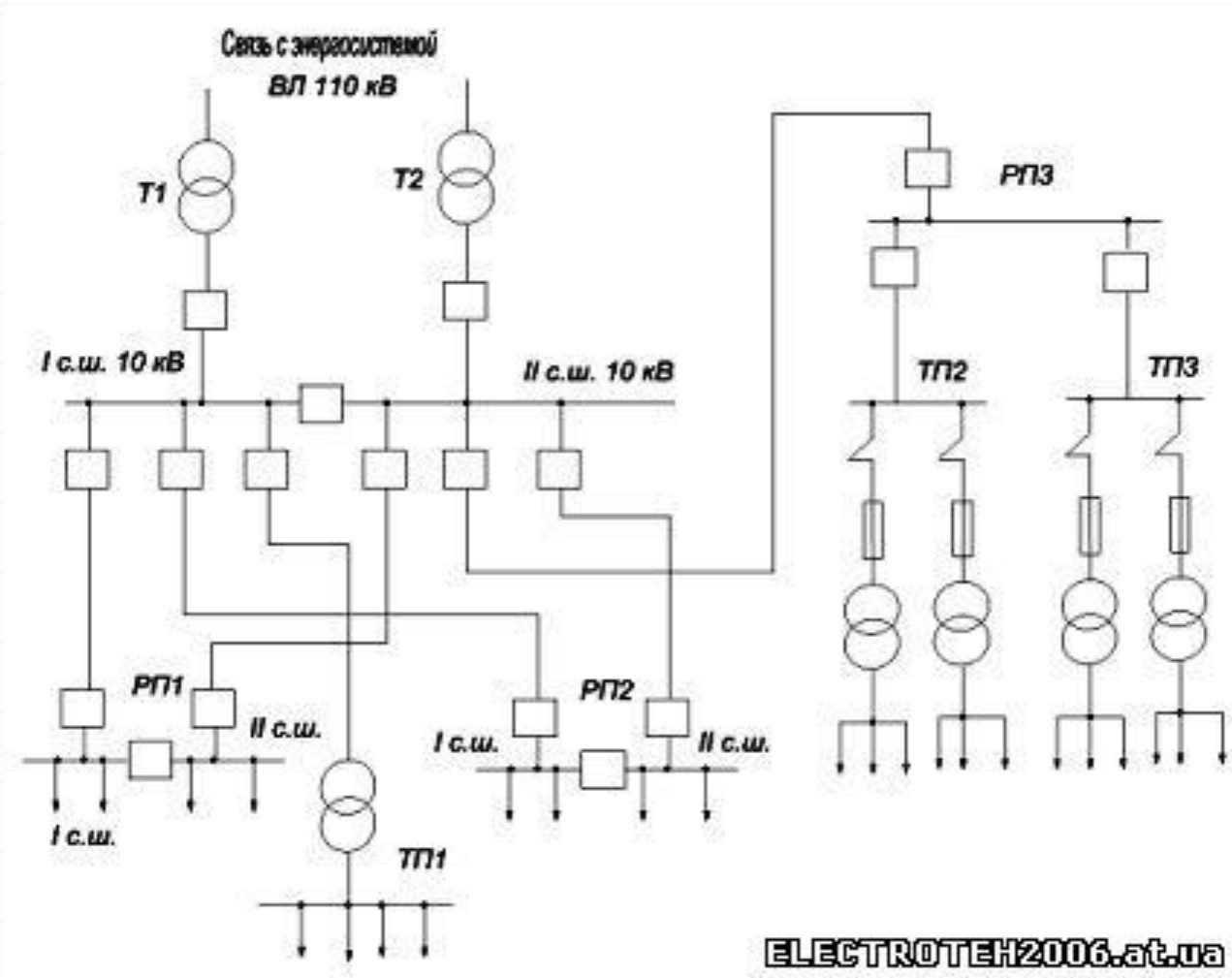
Two or more sections



Sectioning and bypass device



Radials



Ring type

