



Bus-modular structure of the PC Von Neumann Architecture

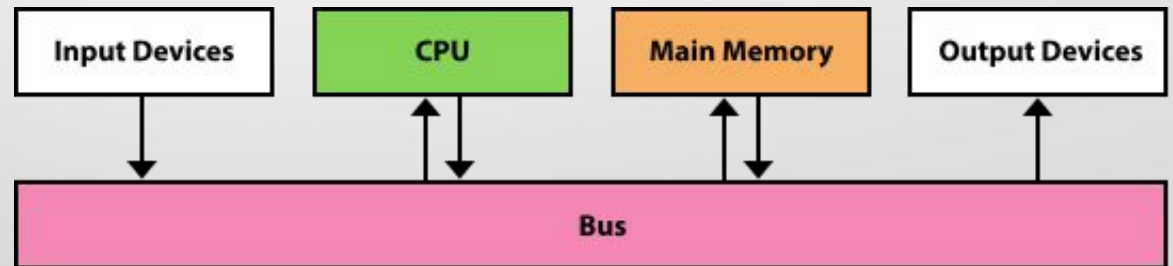
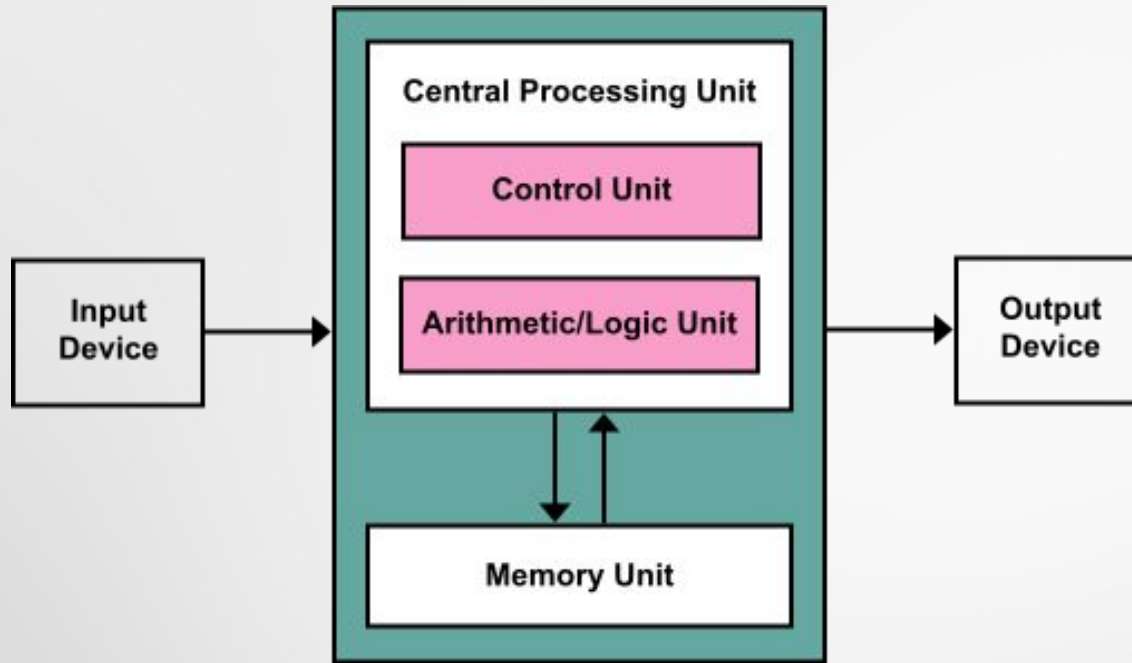


Learning objectives

show understanding of how data are transferred between various components of the computer system using the address bus, data bus and control bus

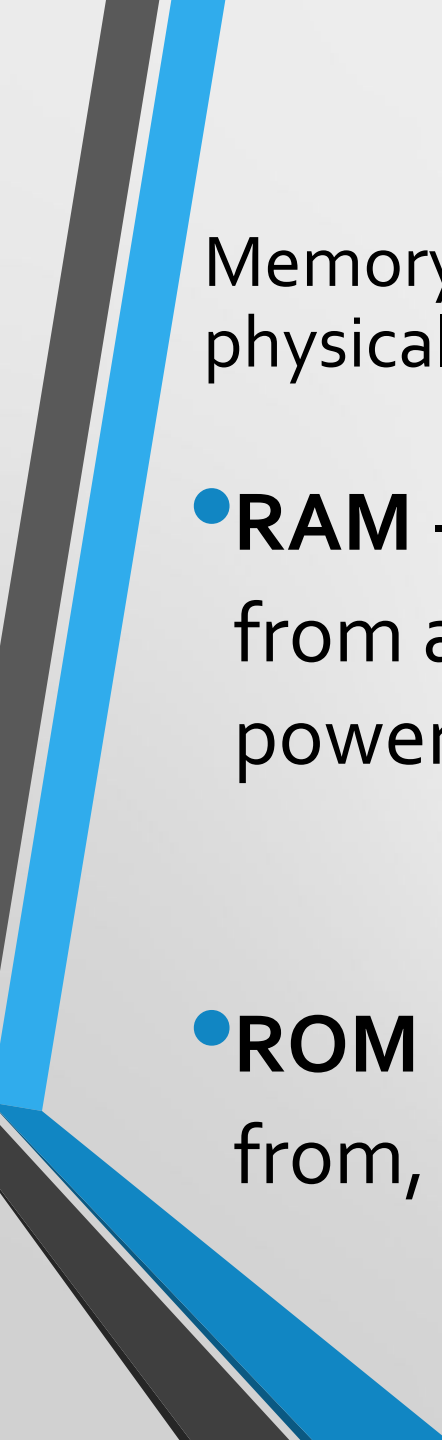
explain the concept that data and instructions are stored in memory and processed by the CPU

Von Neumann Architecture



Von Neumann Architecture

- The memory unit that holds both data and instructions.
- The arithmetic/logic gate unit that is capable of performing arithmetic and logic operations on data.
- The input unit that moves data from the outside world into the computer.
- The output unit that moves results from inside the computer to the outside world.
- The control unit that acts as the stage unit to ensure that all the other components act in concert.



Memory is a collection of cells, each with a unique physical address.

- **RAM** - Random Access Memory can be read from and written to. Data is cleared when the power is off
- **ROM** - Read Only Memory can only be read from, data is maintained when the power is off

Input/Output Units

- An Input Unit is a device through which data and programs from the outside world are entered into the computer.
- An Output Unit is a device through which results stored in the computer memory are made available to the outside world. Examples include printers and screen monitors.

Arithmetic/Logic Unit

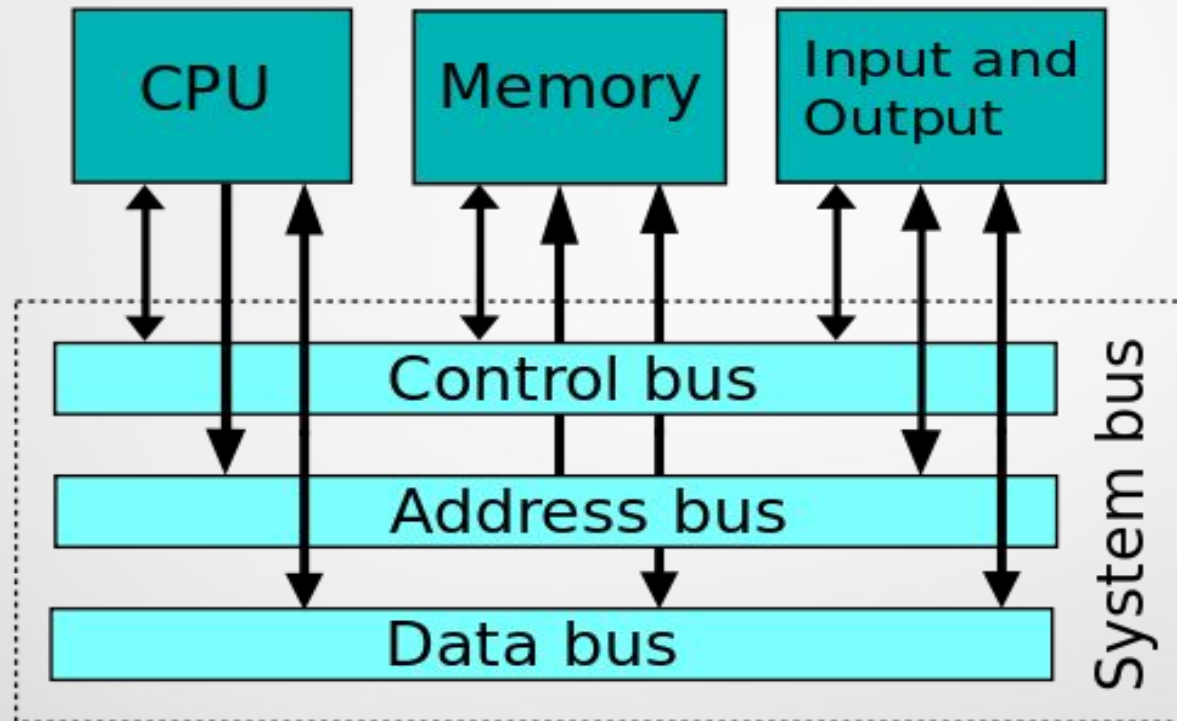
The ALU is a fundamental building block in the central processing unit (CPU) of a computer and without it the computer wouldn't be able to calculate anything!

The Arithmetic Logic Unit or the ALU is a digital circuit that performs arithmetic and logical operations. Where arithmetic operations include things such as ADD and SUBTRACT and the logical operations include things such as AND, OR, NOT.

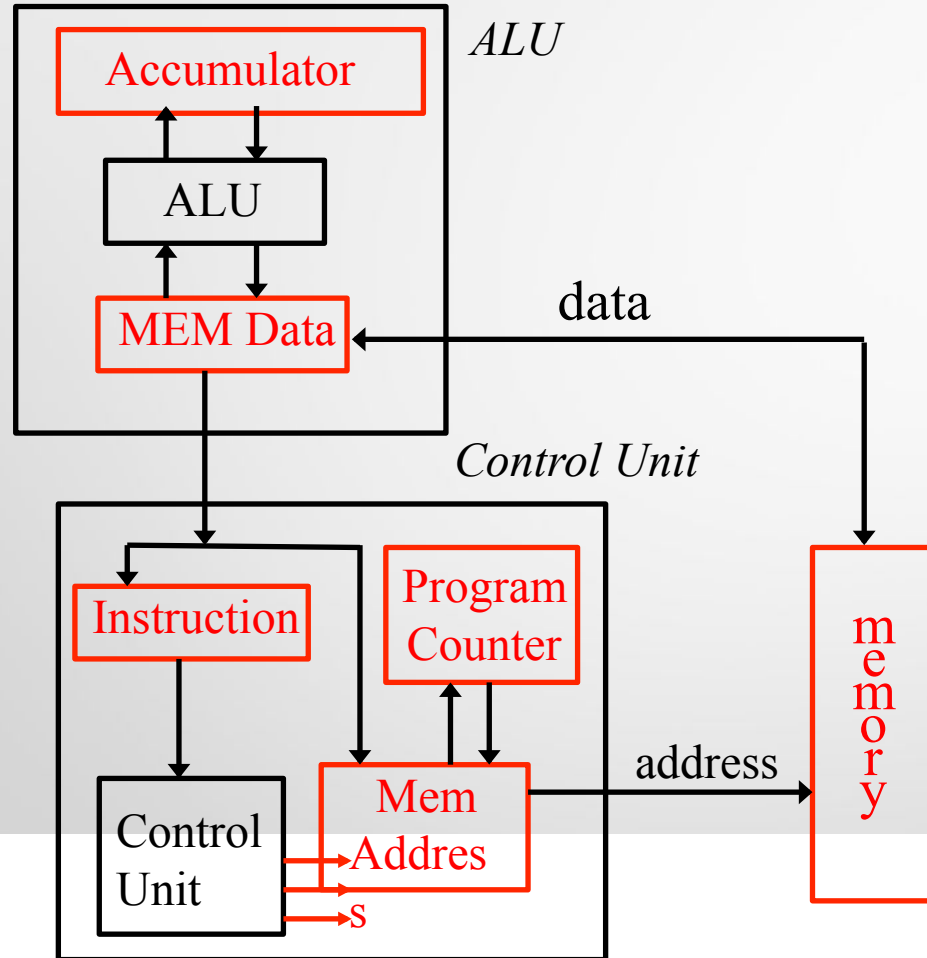
Control unit

The control unit sits inside the CPU and coordinates the input and output devices of a computer system. It coordinates the fetching of program code from main memory to the CPU and directs the operation of the other processor components by providing timing and control signals.

Bus-modular structure of the PC



LMC CPU Structure



- Visible registers shown in **red**
- **Accumulators**
 - Data for calculation
- **Data**
 - *Word to/from memory*
- **PC**
 - Address of next instruction
- **Instruction**
- **Address**
 - For memory access

Registers

Registers - a small amount of fast storage which is part of the processor

Program Counter (PC) - an incrementing counter that keeps track of the memory address of which instruction is to be executed next.

Memory Address Register (MAR) - holds the address in memory of the next instruction to be executed

Memory Buffer Register (MBR) - a two-way register that holds data fetched from memory (and ready for the CPU to process) or data waiting to be stored in memory

Current Instruction register (CIR) - a temporary holding ground for the instruction that has just been fetched from memory

Processor clock

A timing device connected to the processor that synchronises when the fetch, decode execute cycle runs.

Your computer might contain several clocks that each regulate different things. The clock we are going to look at here will keep the processor in line. It will send the processor a signal at regular times telling it to start the fetch decode execute routine.

Clock speed - The number of cycles that are performed by the CPU per second.

System Bus

A Bus is a connection between different devices. This connection will normally consist of multiple wires along which signals, instructions and data will be carried.

In Von Neumann Architecture there is a single bus to manage the connection between the three main components. The System Bus consists of 3 separate buses, each with a specific task that you need to know.

This three bus model is an expansion of the Von Neumann architecture showing greater detail.

Address Bus

A **single-directional** bus that carries address signals from the CPU to Main Memory and I/O devices.

This might involve the CPU requesting some data from Main Memory, sending the address of the data to Main Memory, then Main Memory returning the data along the data bus.

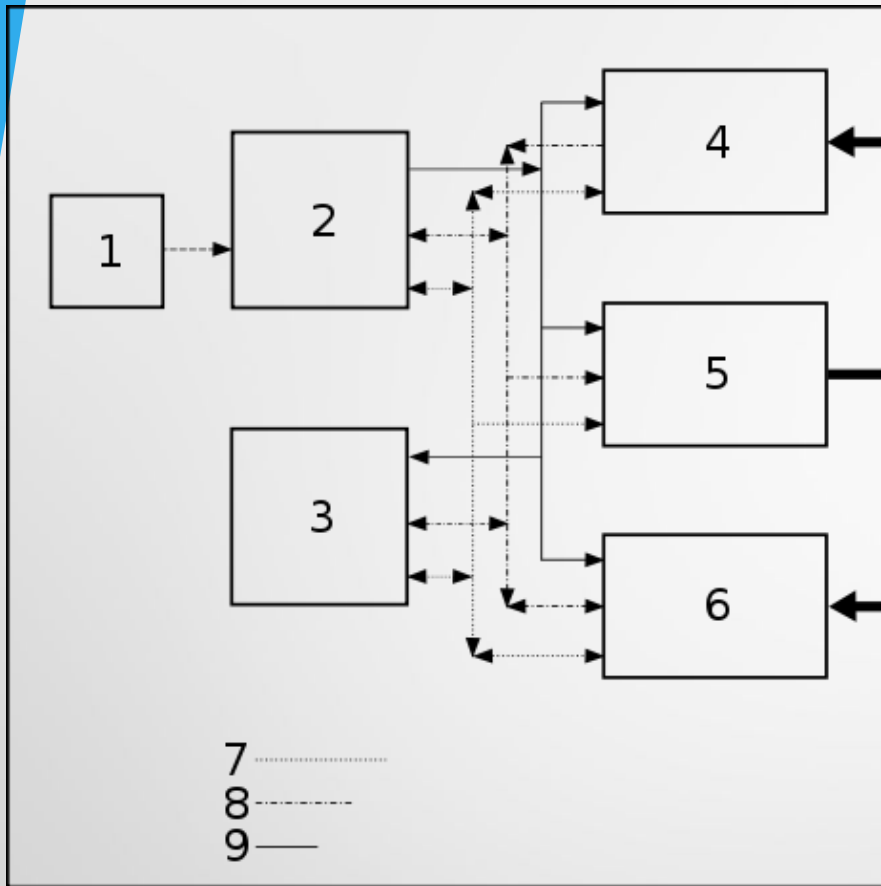
Data bus

A **bi-directional** bus, typically consisting of 32 wires, used to transport data and instructions between the three components of the three-box model. The larger the Data Bus the more data can be transported at one time.

Control bus

A **bi-directional bus**, typically consisting of more than 16 wires, used to transport control signals between the three components of the three-box model. The control bus is used to carry important information such as messages to say when a device has finished a job or when a device has just been plugged in.

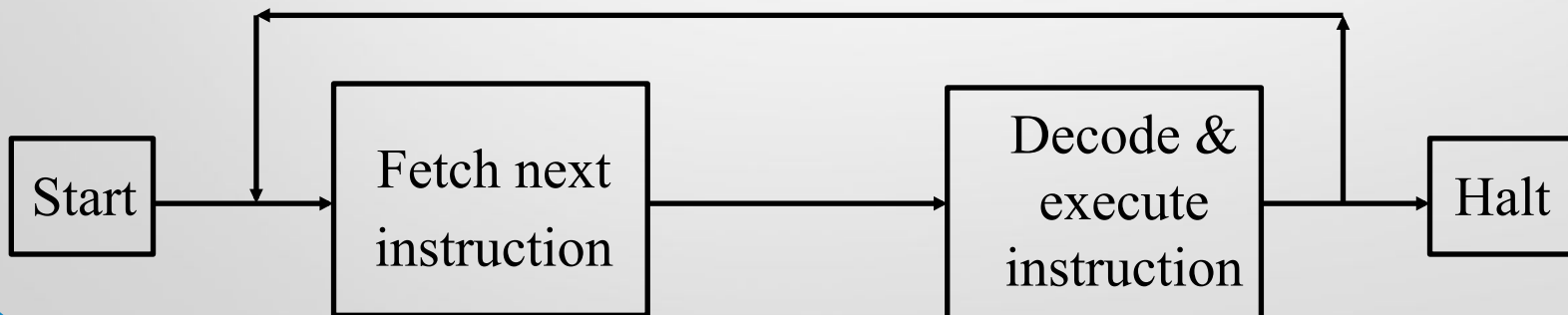
A simple example would be when you plug in your USB key and after a few moments a screen pops up asking you what you want to do with it.



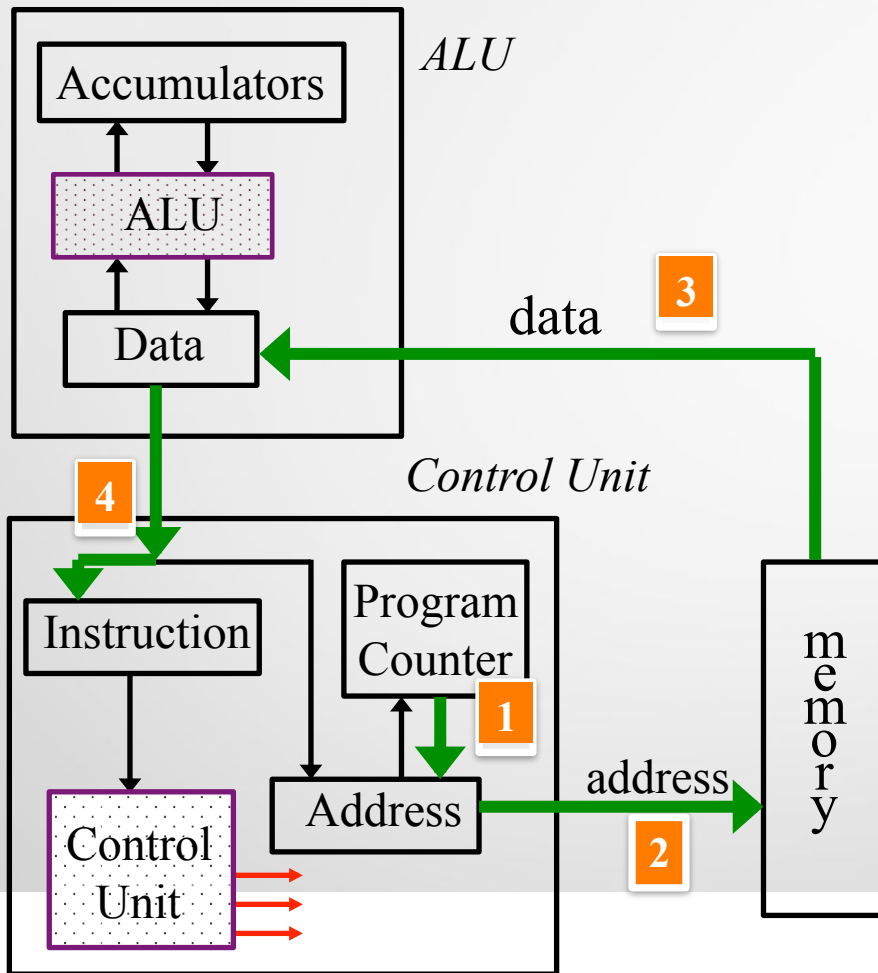
1. Clock
2. Processor
3. Main memory
4. keyboard controller
5. VDU controller
6. Disk controller
7. Data bus (or Control bus)
8. Control bus (or Data bus)
9. Address bus
10. Keyboard
11. Monitor
12. Secondary storage

Fetch-Execute

- Each instruction cycle consists on two subcycles
- Fetch cycle
 - Load the next instruction (Opcode + address)
 - Use Program Counter
- Execute cycle
 - Control unit interprets the opcode
 - ... an operation to be executed on the data by the ALU

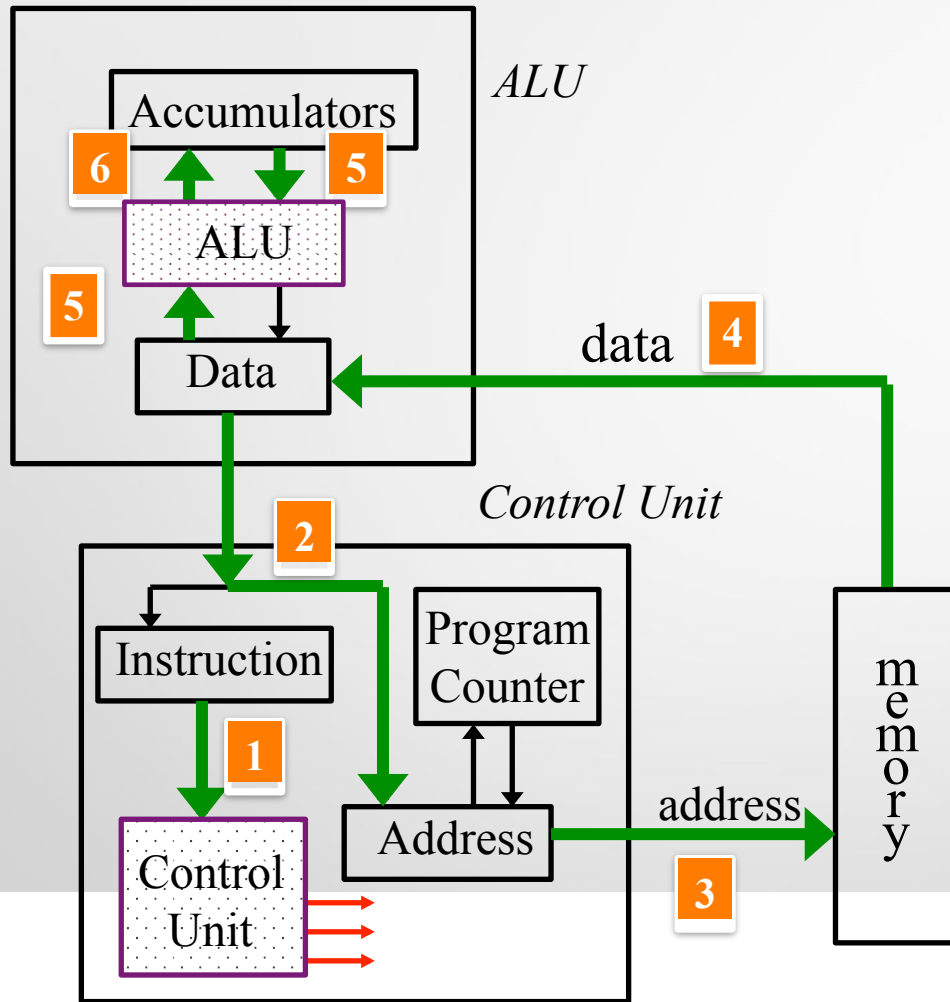


Fetch Instruction



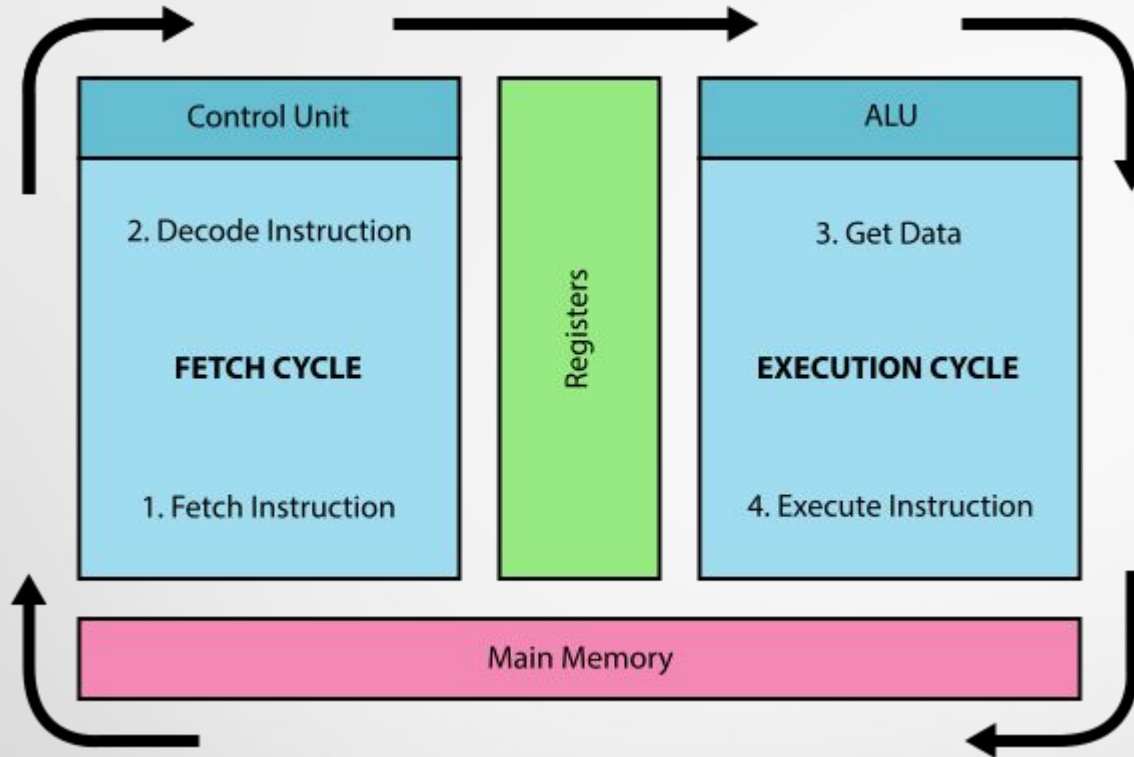
1. Program counter to address register
2. Read memory at address
3. Memory data to 'Data'
4. 'Data' to instruction register
5. Advance program counter

Execute Instruction



1. Decode instruction
2. Address from instruction to 'address register'
3. Access memory
4. Data from memory to 'data register'
5. Add (e.g.) data and accumulator value
6. Update
 - accumulator

The Fetch-Execute Cycle



The process cycle includes four steps:

1. Fetch the next instruction,
2. Decode the instruction
3. Get data if needed,
4. Execute the instruction.

Fetch the Next Instruction

The PC increments one by one to point to the next instruction to be executed, so the control unit goes to the address in the memory address register which holds the address of the next instruction specified in the PC, takes it to the main memory through the address bus and returns it to the memory buffer register via the data bus.

Decode the Instruction

To execute the instruction in the instruction register, the control unit has to determine what instruction it is. It might be an instruction to access data from an input device, to send data to an output device, or to perform some operation on a data value. At this phase, the instruction is decoded into control signals.

Get Data If Needed

The instruction to be executed may potentially require additional memory accesses to complete its task. For example, if the instruction says to add the contents of a memory location to a register, the control unit must get the contents of the memory location.

Execute the Instruction

Once an instruction has been decoded and any operands (data) fetched, the control unit is ready to execute the instruction. Execution involves sending signals to the arithmetic/logic unit to carry out the processing. In the case of adding a number to a register, the operand is sent to the ALU and added to the contents of the register.

Fetch

- The Program Counter (PC) contains the address of the next instruction to be fetched.
- The address contained in the PC is copied to the Memory Address Register (MAR).
- The instruction is copied from the memory location contained in the MAR and placed in the Memory Buffer Register (MBR).
- The entire instruction is copied from the MBR and placed in the Current Instruction Register (CIR).
- The PC is incremented so that it points to the next instruction to be fetched.

Execute

- The address part of the instruction is placed in the MAR.
- The instruction is decoded and executed.
- The processor checks for interrupts (signals from devices or other sources seeking the attention of the processor) and either branches to the relevant interrupt service routine or starts the cycle again.

- Процессор выставляет число, хранящееся в регистре счётчика команд, на шину адреса, и отдаёт памяти команду чтения;
- Выставленное число является для памяти адресом; память, получив адрес и команду чтения, выставляет содержимое, хранящееся по этому адресу, на шину данных, и сообщает о готовности;
- Процессор получает число с шины данных, интерпретирует его как команду (машинную инструкцию) из своей системы команд и исполняет её;
- Если последняя команда не является командой перехода, процессор увеличивает на единицу число, хранящееся в счётчике команд; в результате там образуется адрес следующей команды;
- Снова выполняется п. 1.

Процессор

- https://en.wikibooks.org/wiki/A-level_Computing/AQA/Computer_Components,_The_Stored_Program_Concept_and_the_Internet/Machine_Level_Architecture/Structure_and_role_of_the_processor
- https://en.wikibooks.org/wiki/IB/Group_4/Computer_Science/Computer_Organisation#von_Neumann_Architecture
- https://en.wikibooks.org/wiki/A-level_Computing/AQA/Computer_Components,_The_Stored_Program_Concept_and_the_Internet/Fundamental_Hardware_Elements_of_Computers/Boolean_identities