

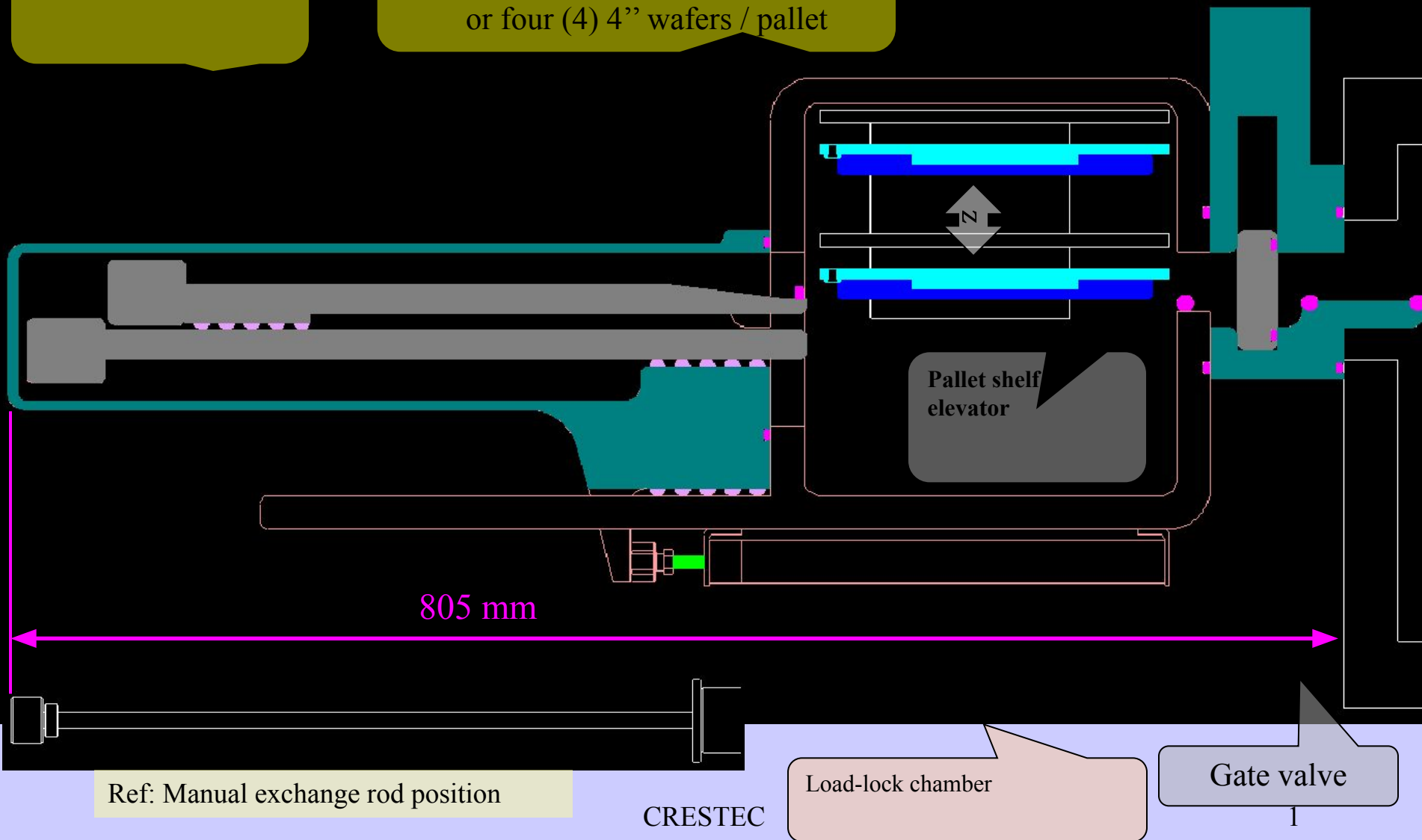
# Auto Loader Concept

Home Position

Transfer arm mechanism (TAM)

Two pallet storage  
Max one (1) 8" wafer / pallet  
or four (4) 4" wafers / pallet

Pallet thermo-control plate



Pallet shelf elevator

805 mm

Ref: Manual exchange rod position

CRESTEC

Load-lock chamber

Gate valve

1

# Auto Loader Concept

Wafer attach / remove position

Pallet chucking pin

Displacement:  
250 mm

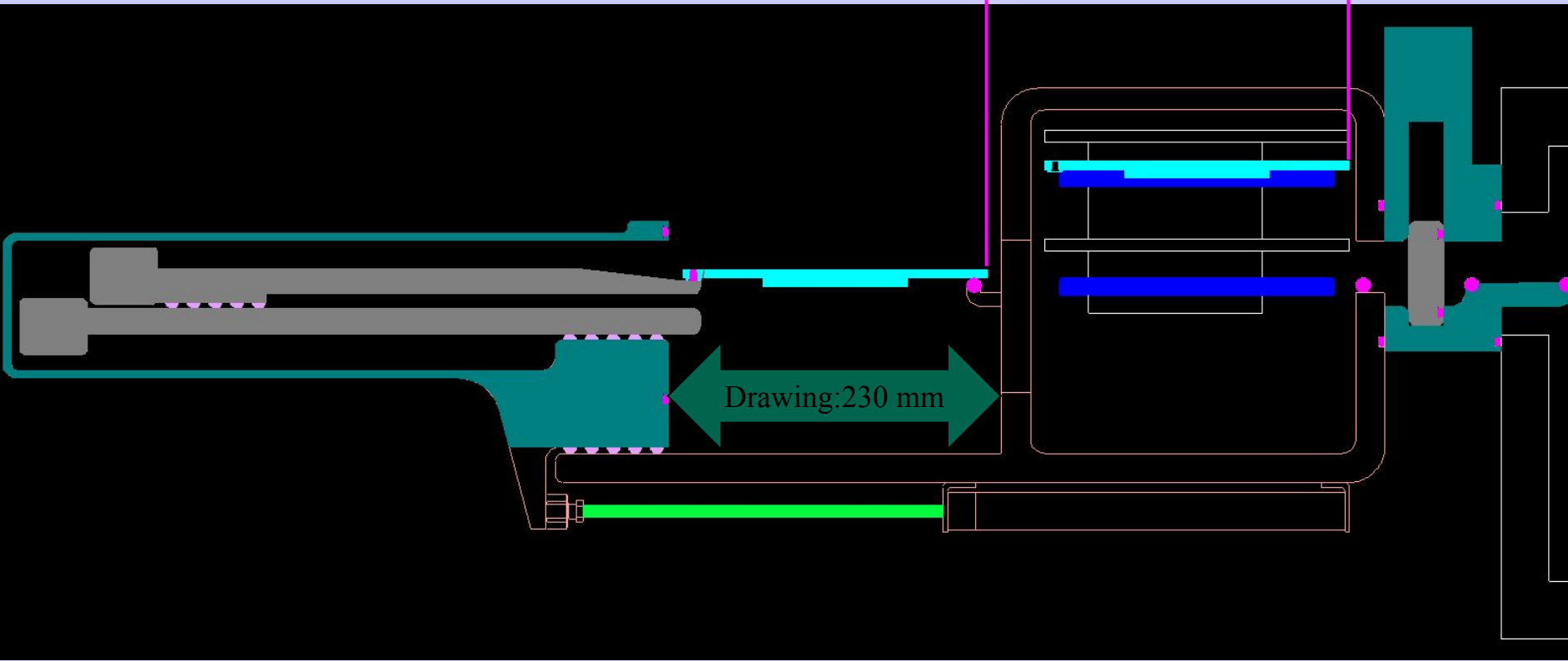
Drawing: 230 mm

Linear guide

TAM drawing  
pneumatic cylinder

CRESTEC

Pallet guide roller



Auto Loader Concept . . . Pallet insertion process . . .

