

Children's furniture, Toys from environmentally friendly wood



Company GreenWay LTD, s.r.o. represents

New series of toys

"Wood Designer" TM ArInWood

For children from 6 years old.

Kits contain many different types

Wood parts are also available in sets.

construction tools and instructions added.

Constructor Build Method

consists in beating constructive

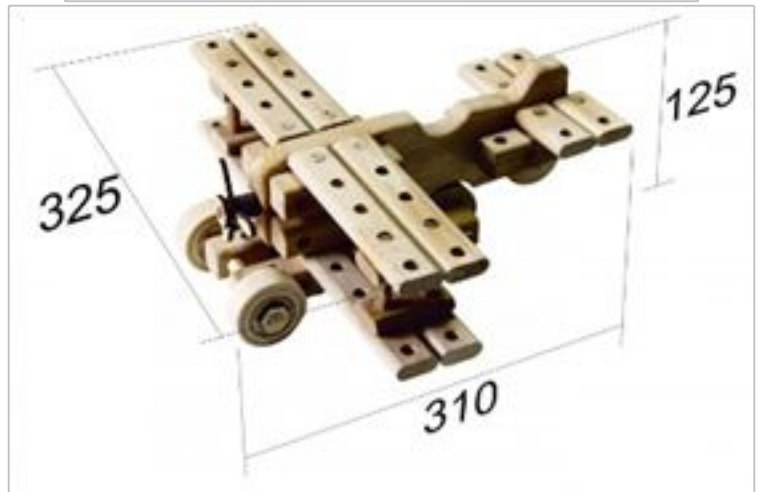
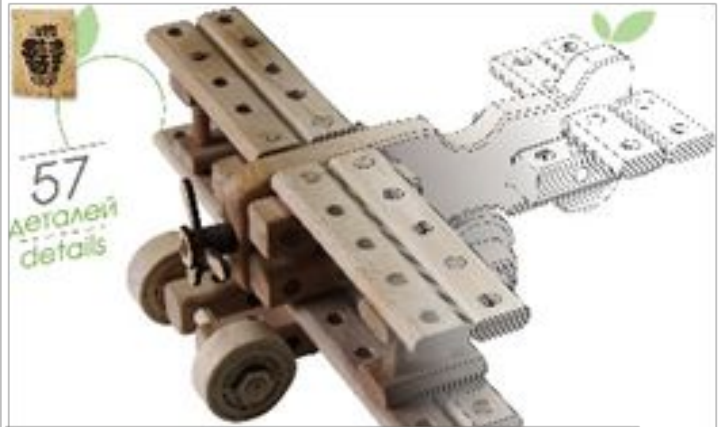
special cylindrical elements

elements with a hammer.

After assembling the toy, you can Use as a model and a complete toy.



Designer of wood PLANE



1. Overall dimensions of the package, mm
 $234 * 290 * 72$

2. The number of elements is 70 pieces.

3. The weight of the product is 2.5 kg.

4. The price of 11.00 eur

Designer of wood GELIKOPTER

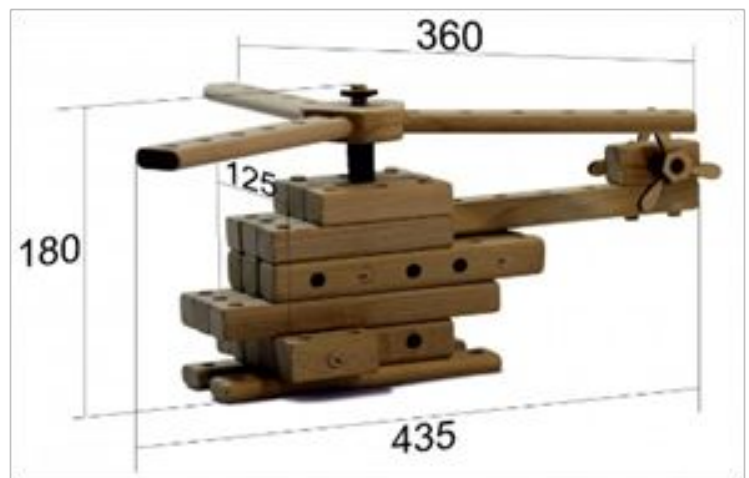


1. Overall dimensions of the package, mm
 $234 * 290 * 72$

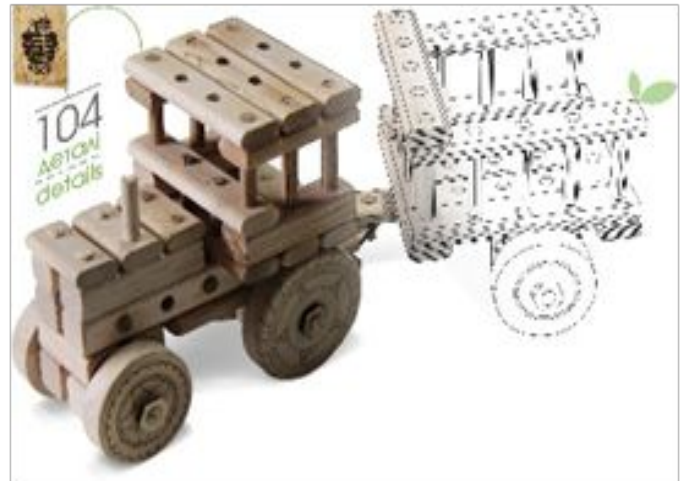
2. The number of elements 57 pcs.

3. Product weight,
2.5 kg.

4. Price, 11.00 eur



Designer of wood TRACTOR

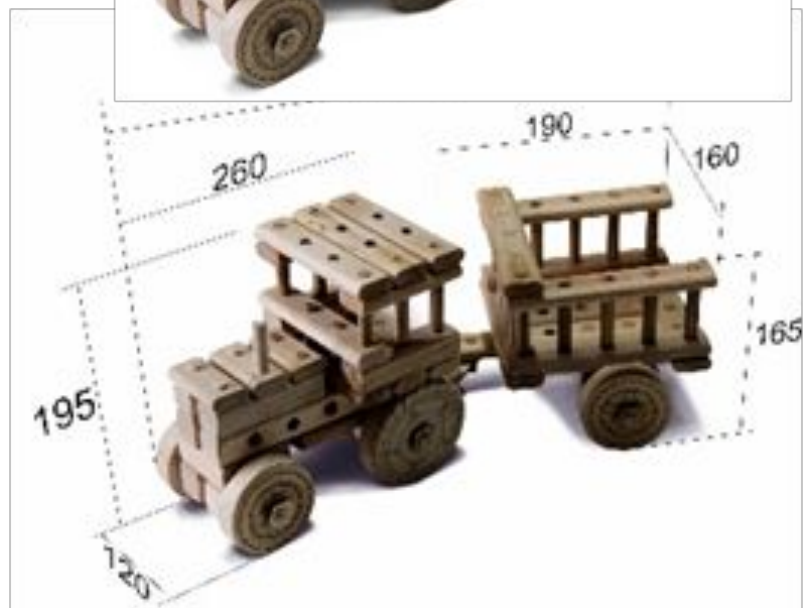


1. Overall dimensions of the package, mm
 $234 * 414 * 72$

2. The number of elements is 104 pieces.

3. Product weight, 3.2 kg.

4. Price, 15.00 eur.



Wooden constructor TRUCK

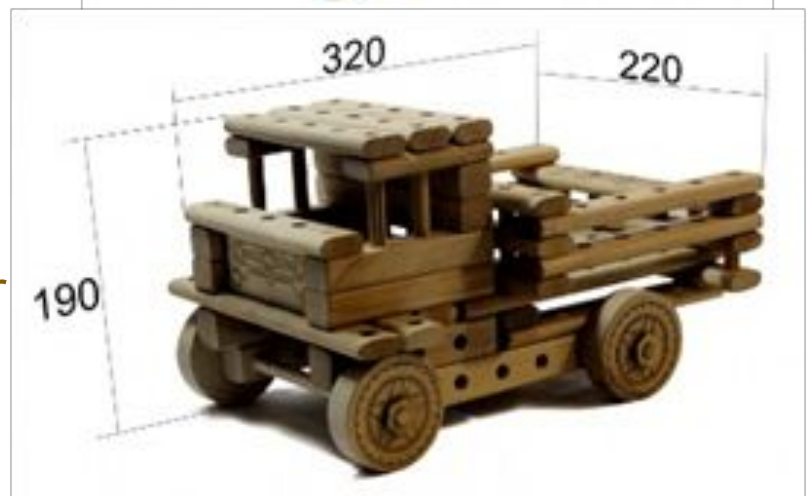


1. Overall dimensions of the package, mm 234 * 414 * 72

2. The number of elements is 70 pieces.

3. The weight of the product is 3.2 kg.

4. The price of 15.00 eur



Eco-cubes "Little Builder"



"The set of cubes contains about 70 parts of different sizes and shapes.

This will allow the child to build many shapes and the size of the buildings every time getting a new toy. «

1. Overall dimensions of the package, mm 720 * 270 * 440
2. The number of elements is 70 pieces.
3. The weight of the product is 1,7 kg.
4. The price of 5.00 eur



Crib for doll No. 1



1. Overall dimensions of the package, mm 720 * 270 * 440

2. Number of items 1 pc.

3. Product weight 3 kg.

4. The price is 20.00 euros



Set of table and two chairs

**Set of table and two chairs
for a doll measuring 25
cm.**

**Durable toy made
solid wood beech.**

**Surface of toys
decorated
art laser engraving.**

1. Overall dimensions of the package, mm 380 * 560 * 470
2. Number of items 12 pcs.
3. The weight of the product is 1.5 kg.
4. The price is 20.00 euros



School desk children's "Owlet"

"Children's desk Owlet -
Designed for children from 3 to
10 years.

Made from durable eco
friendly

pure wood compliance
highest safety standards.

Easy to fold; is regulated
seat and countertop height;
tabletop angle is adjustable
for the convenience of the
child's activities and
development

correct posture;

comfortable and roomy drawer
for notebooks,

albums and pencils;

laser application of German
and

english alphabet



1. Overall dimensions of the package, mm 700 * 180 * 540
2. Number of items 1 pc.
3. The weight of the product is 14 kg.
4. The price is 100 euros

Children's stools

"Seat height - 26 cm.
Seat size - 23x30 cm.
The height of the stool is 52 cm.

Stool for children BEAR
performed in compliance
with existing
ergonomic requirements.

For coating used
acrylic non-toxic paints
and natural oils and waxes

Due to its design
and non-toxicity
recommended

for use

in kindergartens and
nurseries, as well as
at home. Packed
unassembled. "

**1. Number of items 2
pcs.**

**2. The weight of the
product is 2.5 kg.**

3. The price is 20 euros



VUDIK chair

"Seat height - 26 cm.
The size of the seat is
25x34 cm.
The height of the stool is
54 cm.
High chair for children
VUDFK
performed in compliance
with existing
ergonomic requirements.
Natural wax is used for
coating.
Products disassembled
viglyadi.
Packaging - corrugated
cardboard size
575x290x50 mm. "



Wooden products for children with natural environmentally friendly pure wood - Beech, oak, Plum, Apple tree, Pear.

