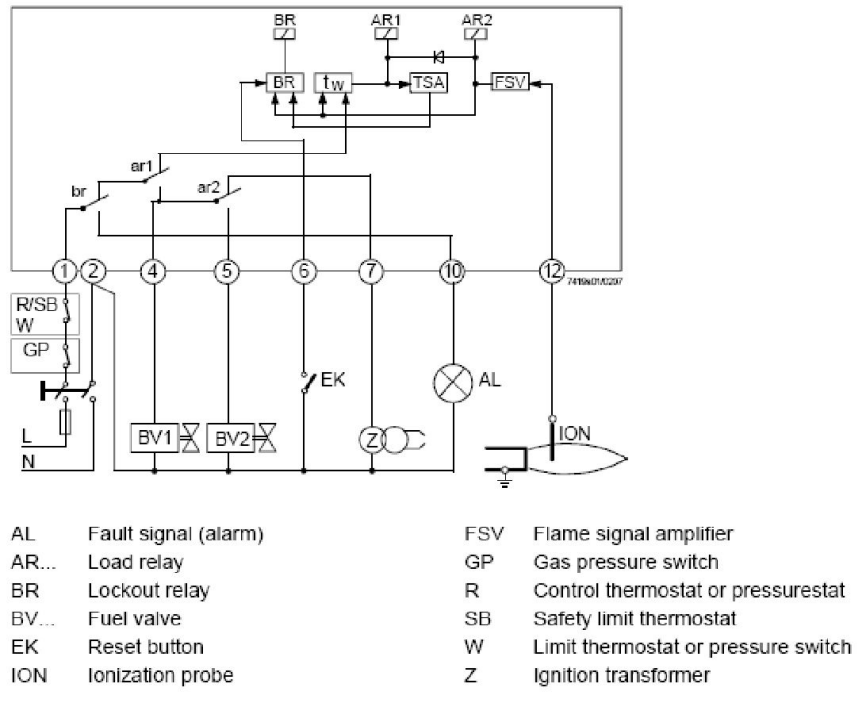


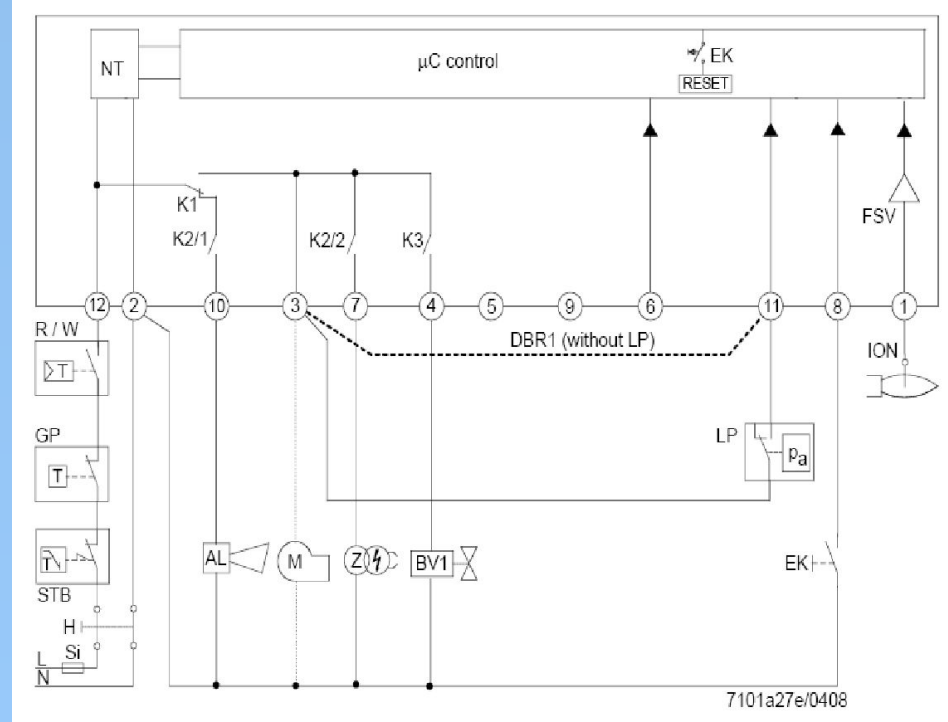
BURNER CONTROLS

Wiring diagram LGD12 and LME41

LG12.05A27 Old V06501102



LME41.054C2 New V06501106



Connection differences

Power supply terminals 1-2
 Ionization probe 12
 Reset 6

Power supply terminals 12-2
 Ionization probe 1
 Reset 8
 Wire jumper 3-11