

4

In the classroom



1

Listen and point. Then say.



teacher



desk



chair



book



door

What can you see?

9 Find and count. Then say.

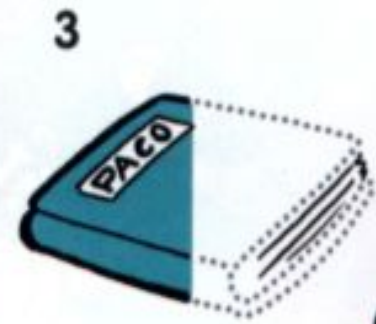
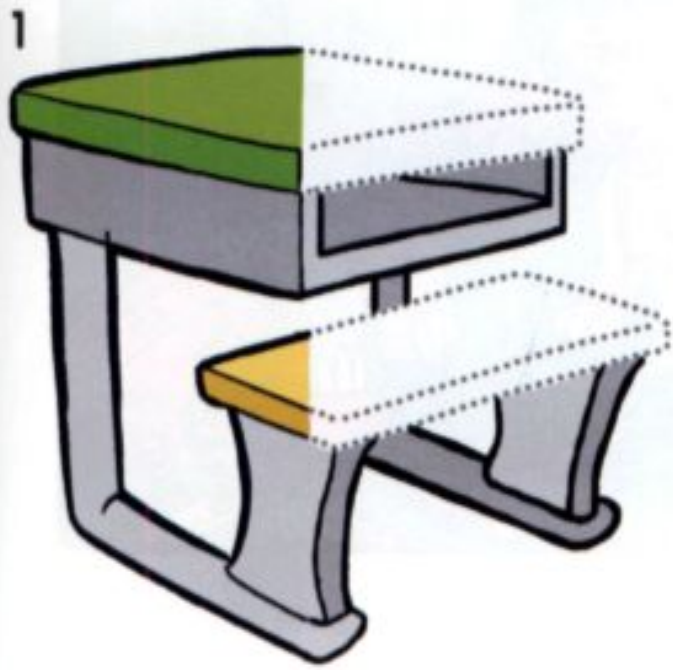
How many....?

5 bananas.



10 Draw and colour. Then say.

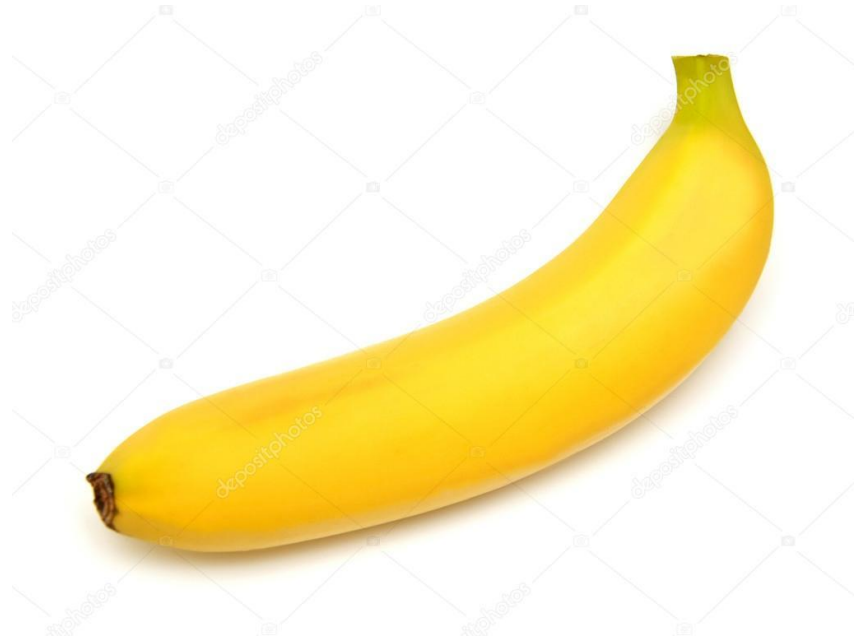
It's a desk. It's green and yellow.



Is it red?



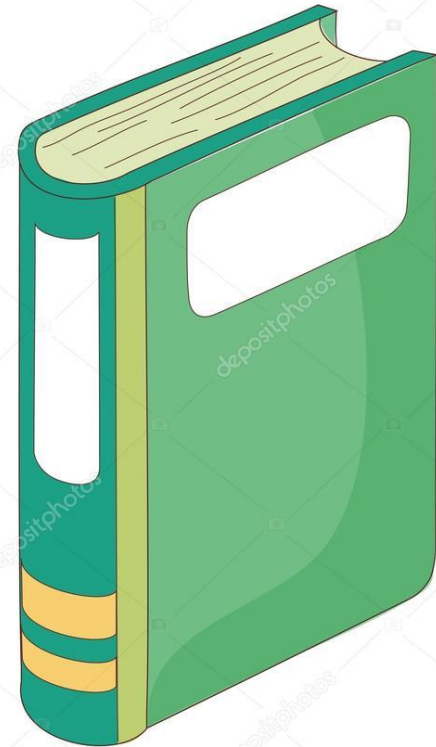
Is it green?



Is it orange?



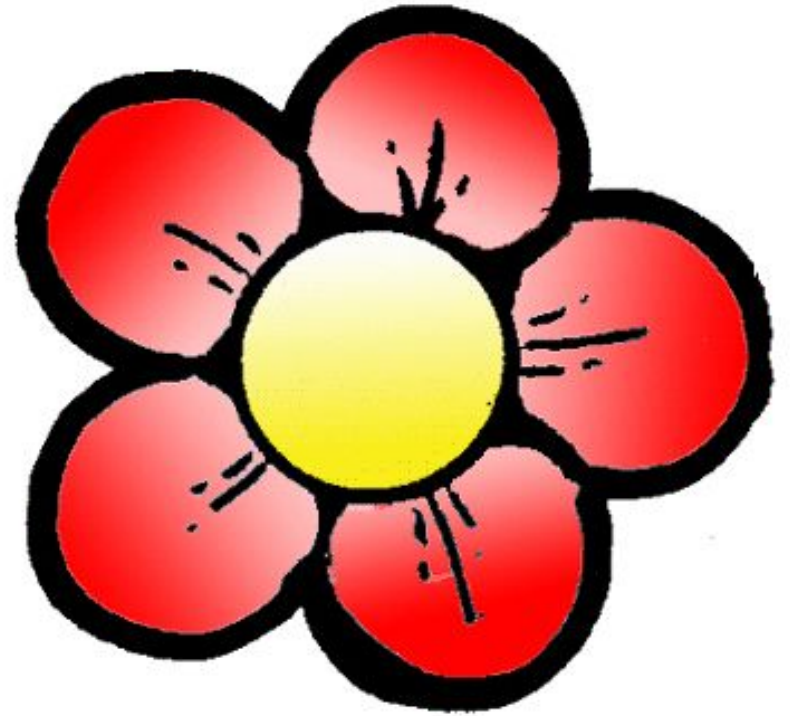
Is it black?



Is it white?



Is it yellow?



2 Find and trace. Then count and circle.

1 door.



1 2

3 4

4 5

3 1

2 3



Самостоятельная работа.