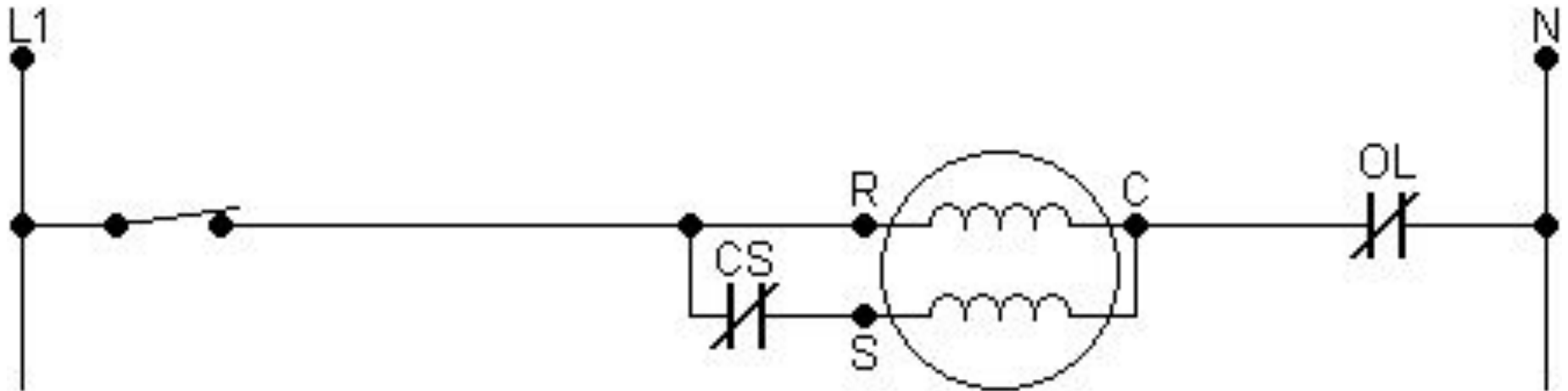


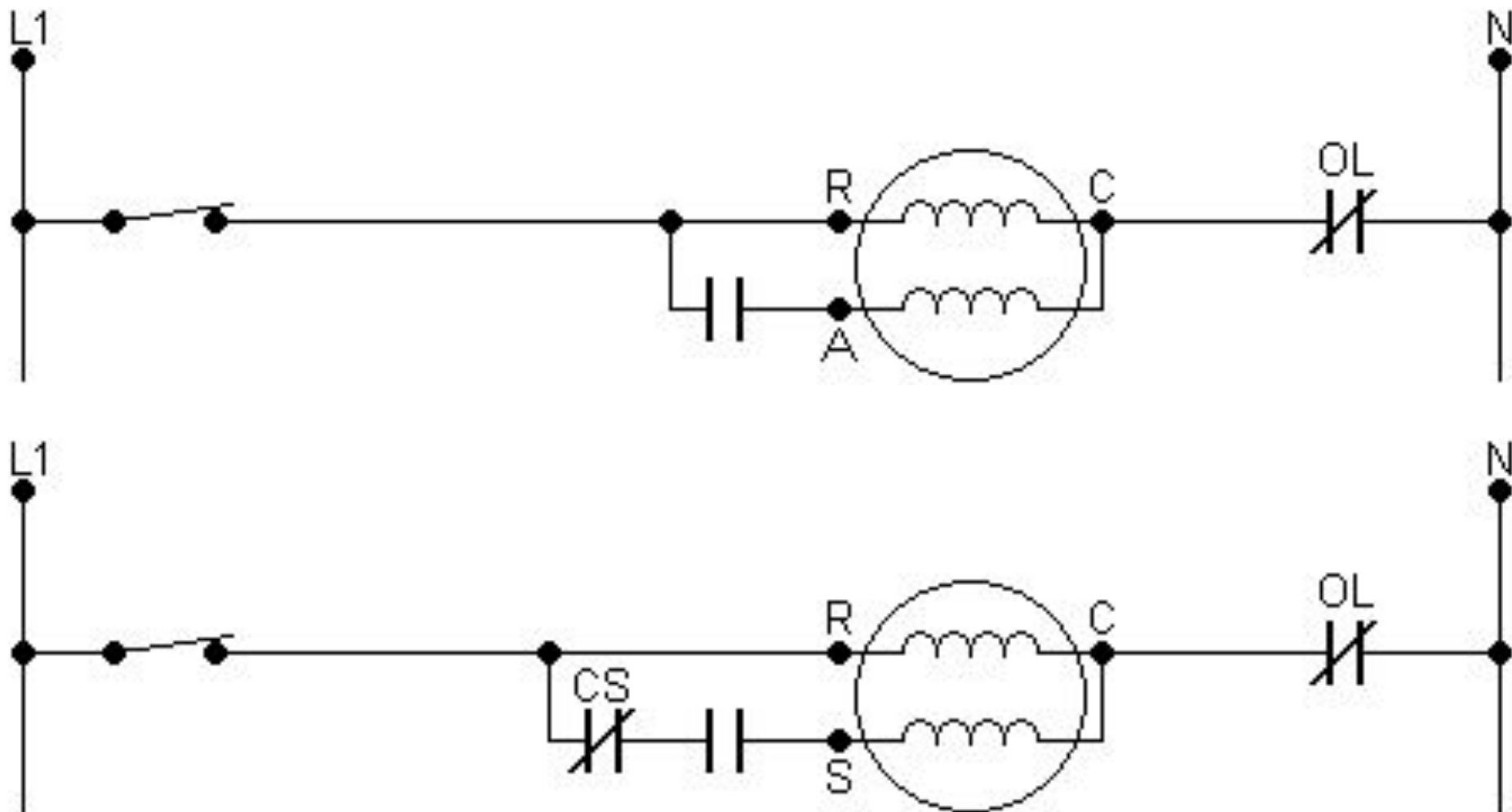
Unit 302: Principles of electrical science

Single-phase AC machines

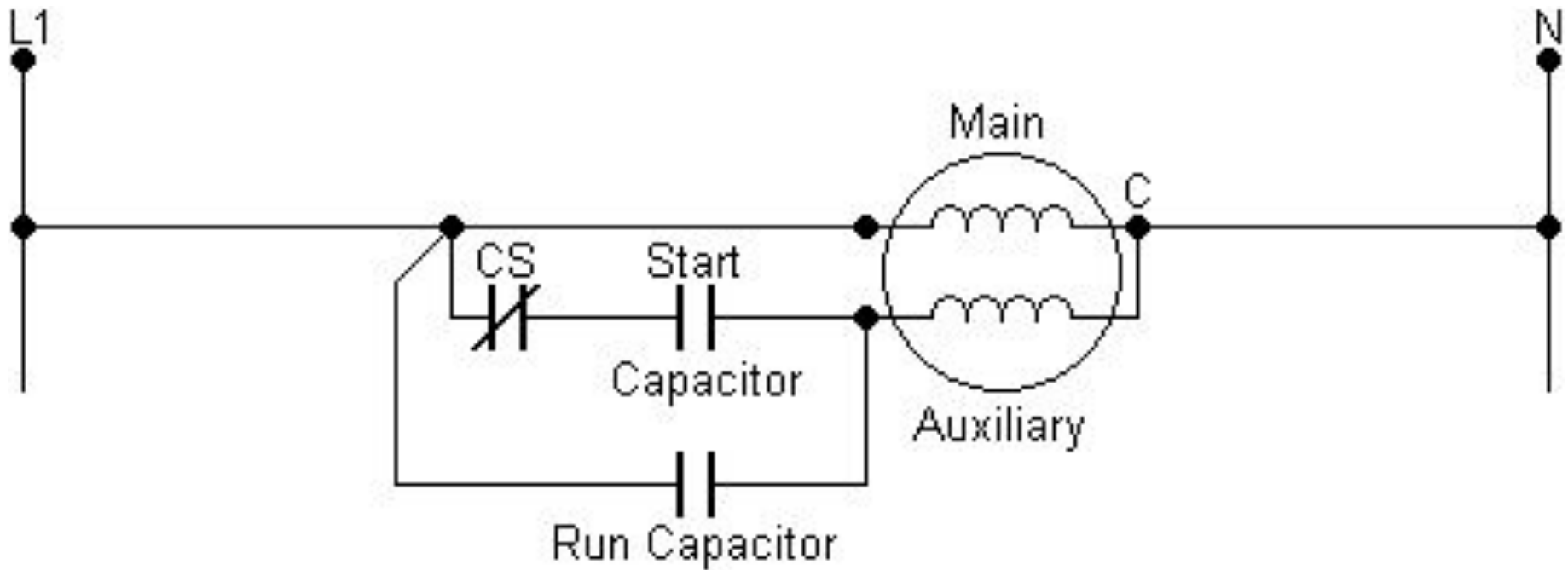
Split-phase (resistance start) motors



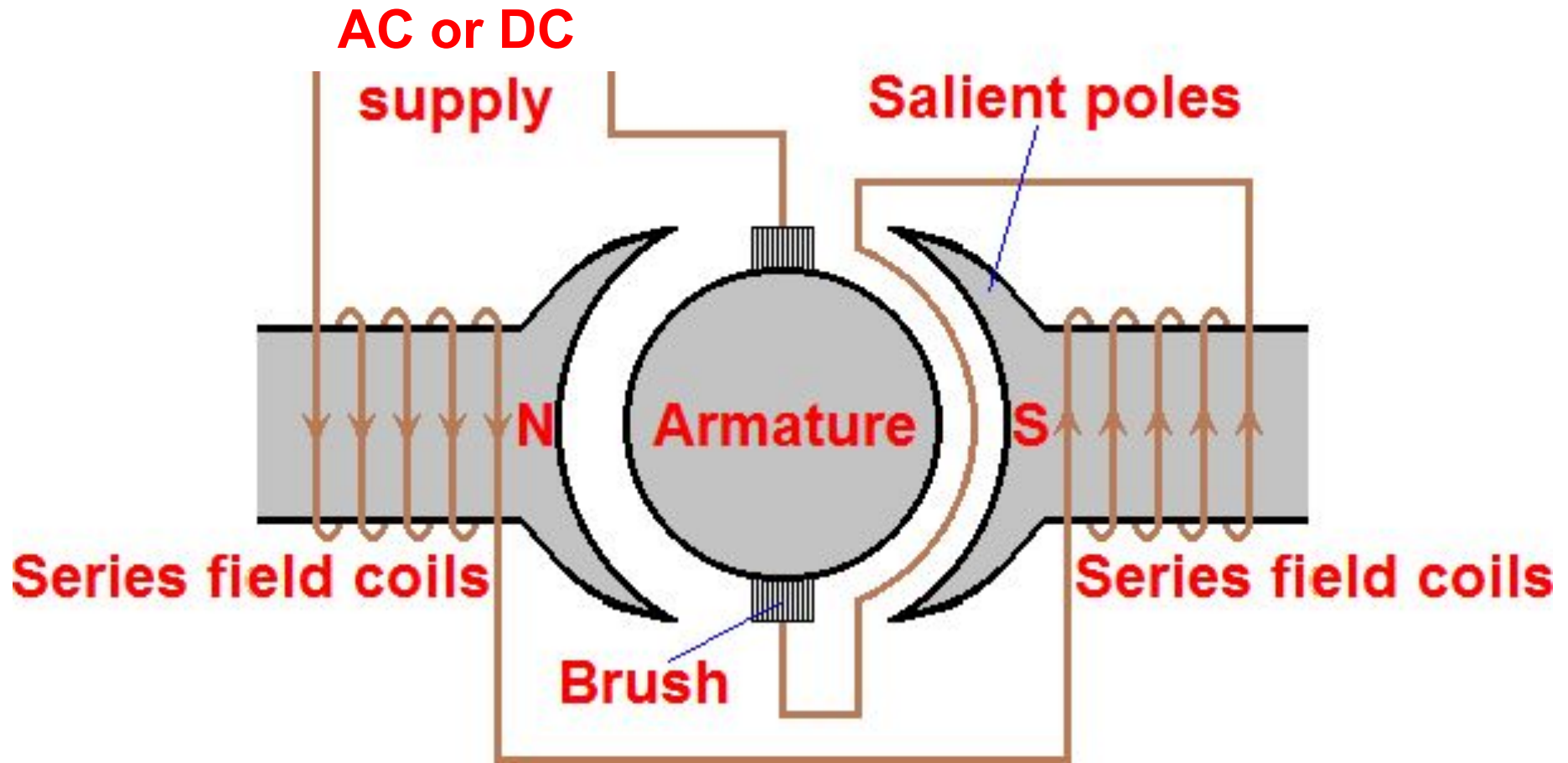
Capacitor start motors



Capacitor-start/capacitor-run motor



Universal motor



Any questions?