

Ground crew call system

Complied: Kaziyev T.K.

Group: АТ(Мх)13-1

Chacked: Senior lecturer Kukushin B.A.

● GROUND CREW CALL SYSTEM

● Purpose

● The ground crew call system tells:

● * Flight compartment personnel that there is a call from the ground personnel

● * Ground personnel that there is a call from the flight compartment.

● Abbreviations and Acronyms

● * ADIRS - air data inertial reference system

● * attend - attendant

● * flt - flight

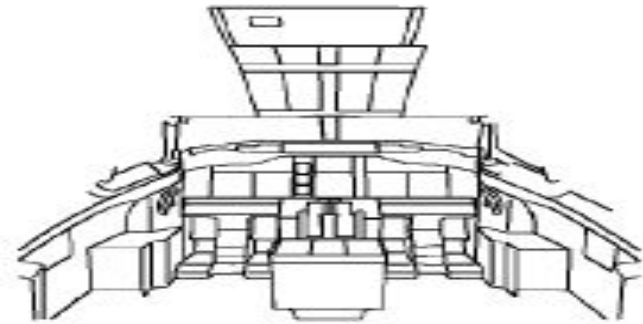
● * grd - ground

● * IHC - integrated handset controller

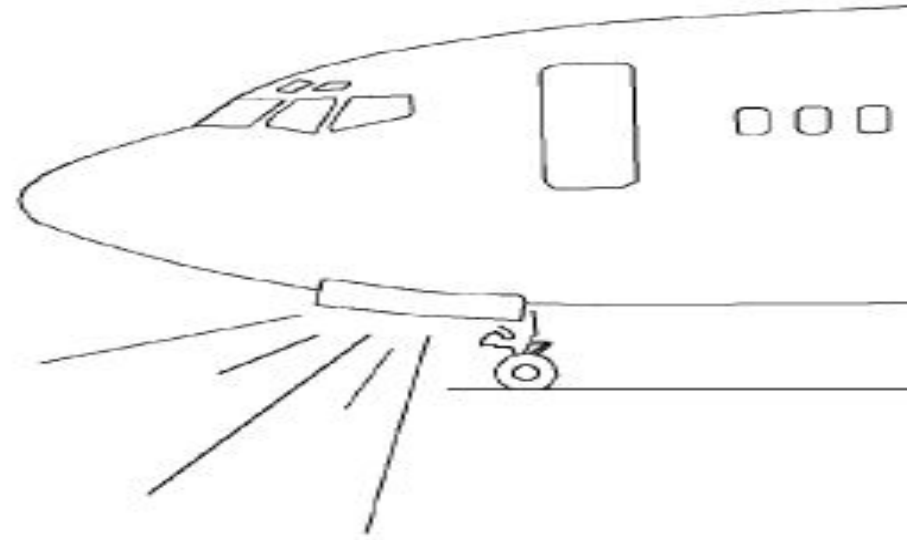
● * PA - passenger address

● * PTT - push-to-talk

● * v dc - volts direct



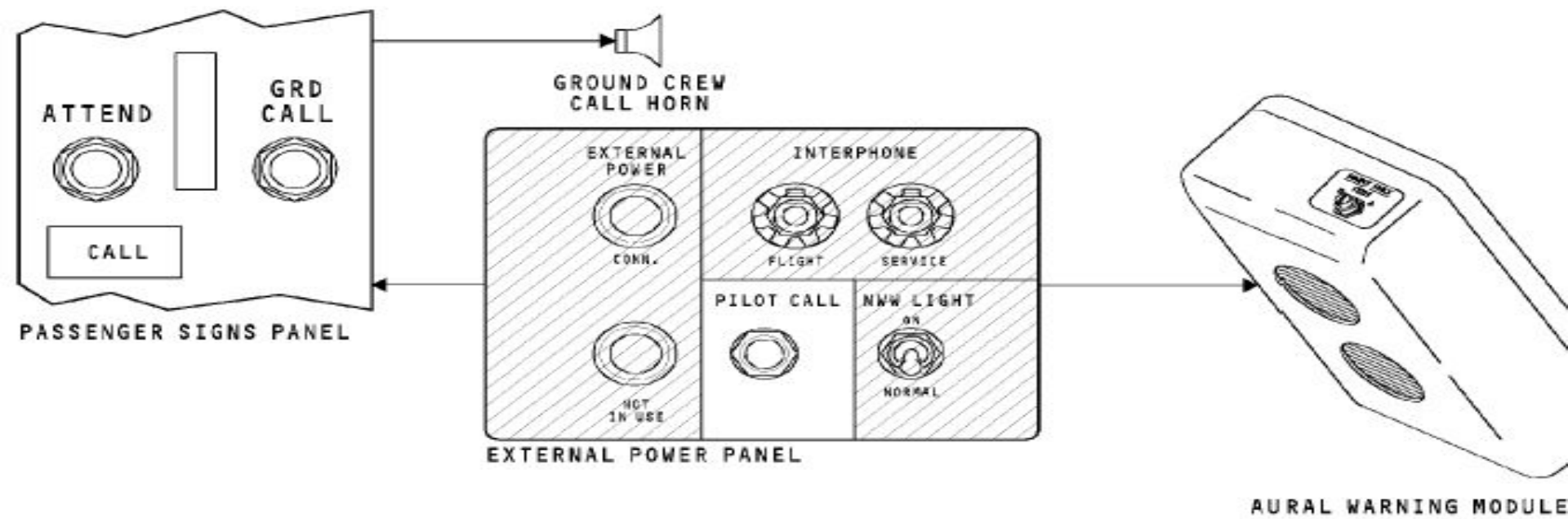
FLIGHT COMPARTMENT



GROUND CREW CALL SYSTEM - INTRODUCTION

General

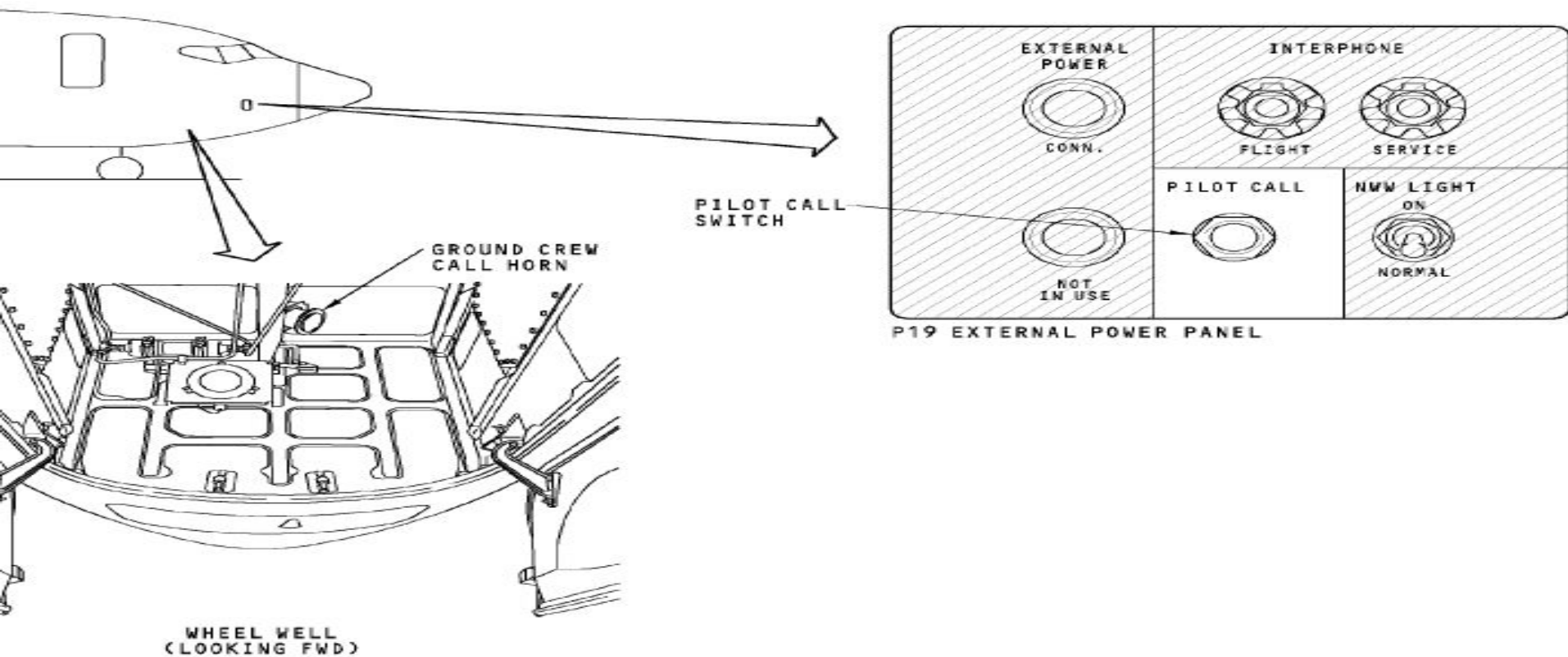
- The ground crew call system lets the flight crew and ground crew call each other. The system tells people in the flight compartment or outside of the airplane to use the flight
- interphone system.
- **Between Flight Compartment and Ground Crew**
- A crew member pushes the GRD CALL switch in the flight compartment to call the ground crew. The switch is on the passenger signs panel on the P5 forward overhead panel. A horn (сирена) in the nose wheel well makes a sound when the crew member pushes the switch.
-
-
- The ground crew pushes the PILOT CALL switch on the external power panel to call the flight crew. The CALL light on the passenger signs panel comes on and there is a high chime from the aural warning module. When the ground crew releases the PILOT CALL switch, the CALL light on the passenger signs panel goes off.



GROUND CREW CALL SYSTEM - GENERAL DESCRIPTION

Ground Crew Call System Component Locations

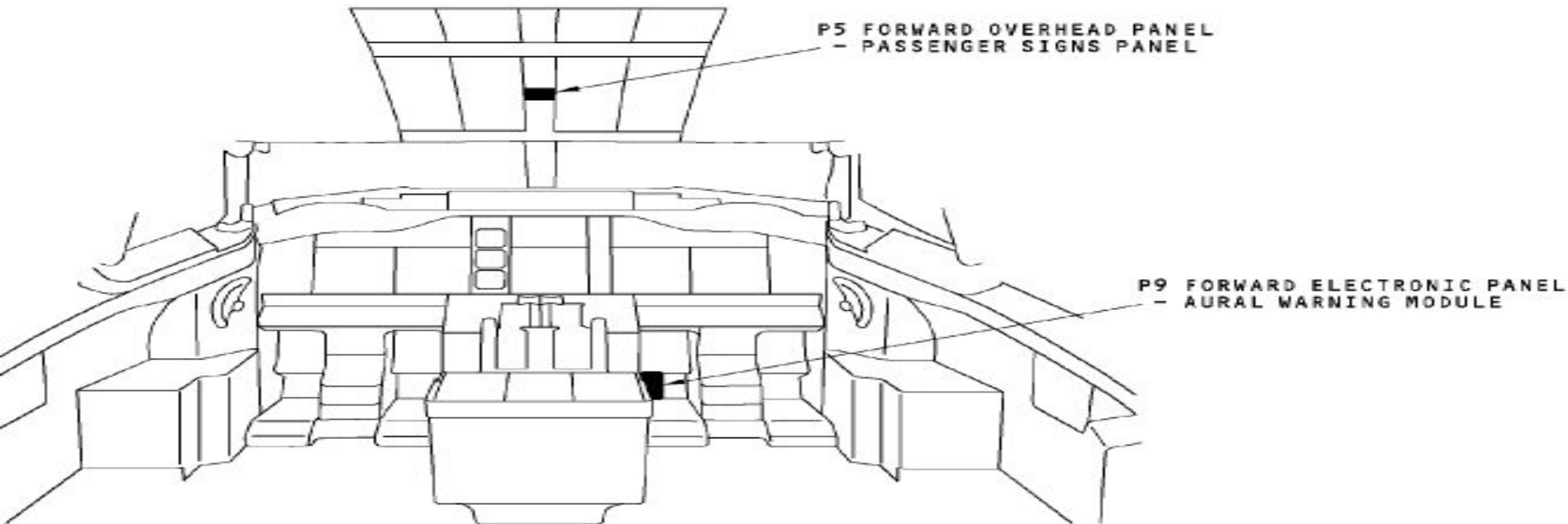
- The ground crew call horn is on the forward wall of the nose wheel well.
- The PILOT CALL switch is on the P19 external power panel. This panel is forward of the nose wheel well on the right side of the airplane.



GROUND CREW CALL SYSTEM - EXTERNAL COMPONENT LOCATION

Flight Compartment Component Locations

- The passenger signs panel is on the P5 forward overhead panel.
- The aural warning module is on the F/O side of the P9 forward electronic panel.



Power

The P18 circuit breaker panel sends 28v dc to these components:

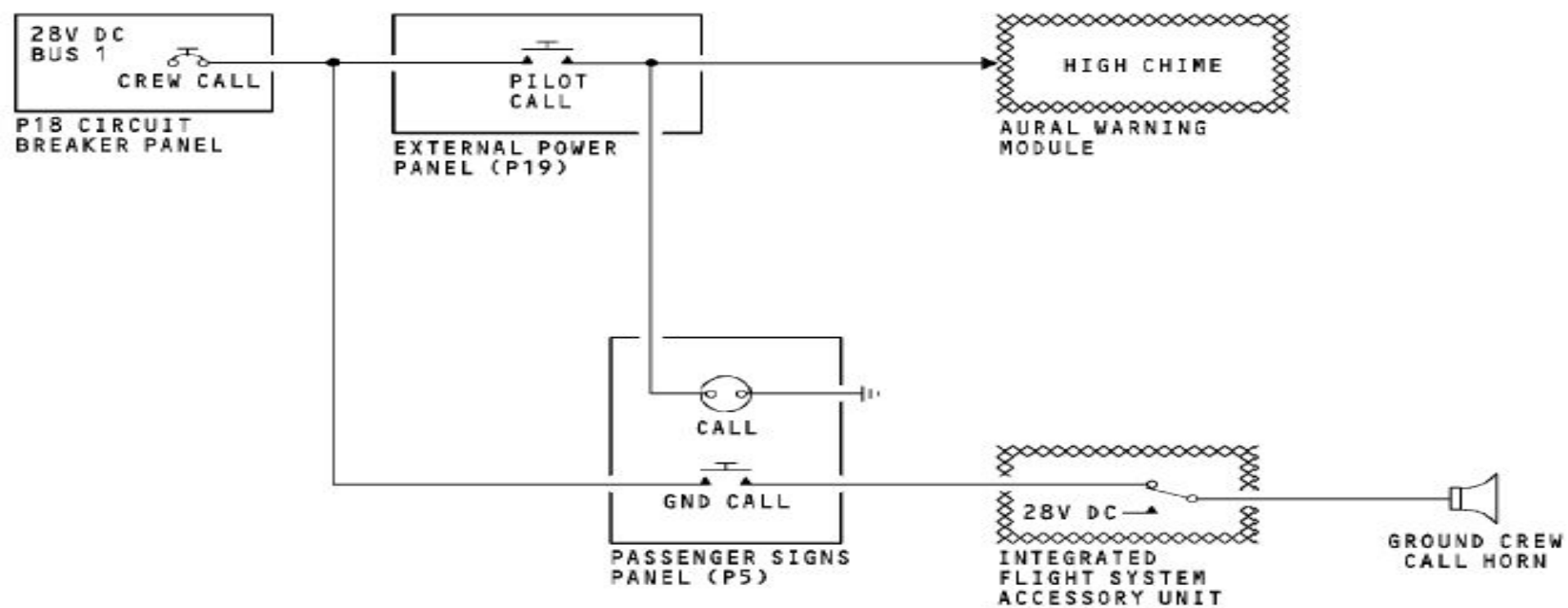
- * PILOT CALL switch
- * GRD CALL switch.

P19 External Power Panel

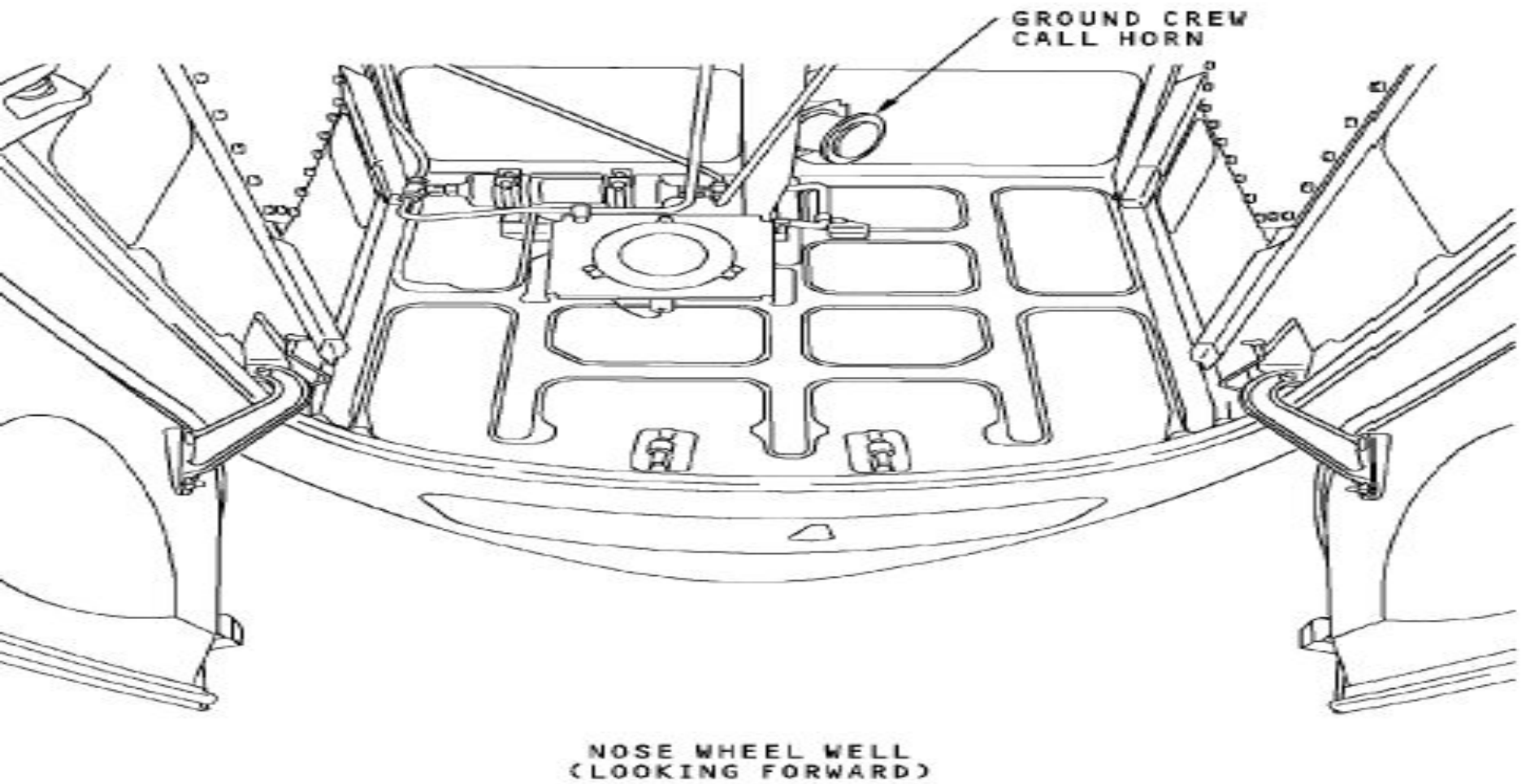
When you push the PILOT CALL switch, the pilot call signal goes to the CALL light on the passenger signs panel and to the aural warning module.

Passenger Signs Panel

When you push the GRD CALL switch, the ground crew call signal goes through a relay in the integrated flight system accessory unit and then to the ground crew call horn.



GROUND CREW CALL SYSTEM - INTERFACES



GROUND CREW CALL SYSTEM - CALL HORN

General

The ground crew calls the flight crew with the PILOT CALL switch. The flight crew uses the GRD CALL switch to call the ground crew.

PILOT CALL Switch

You push the PILOT CALL switch to call the pilot. This switch connects 28v dc to the CALL light to make it come on. When you release the switch, the CALL light goes off. The 28v dc also goes to the aural warning module to make a high tone chime in the flight compartment.

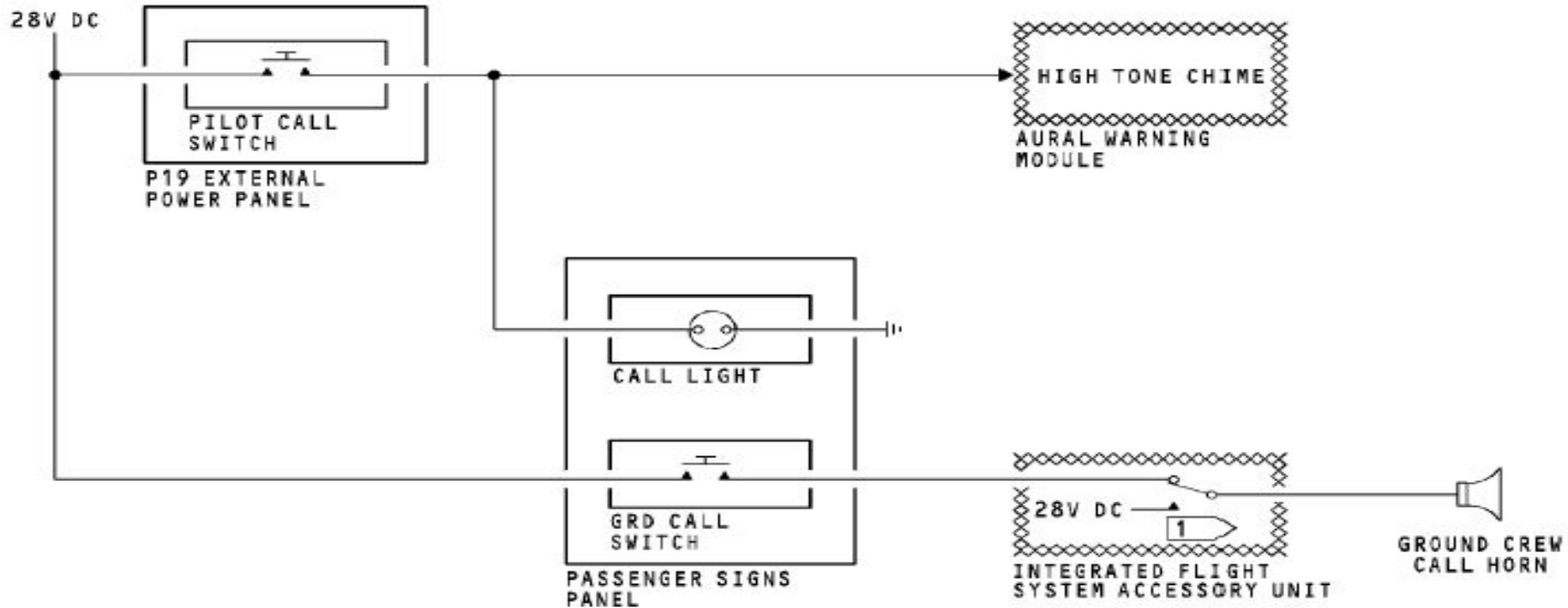
GRD CALL Switch

The pilot pushes the GRD CALL switch to make the ground crew call horn operate. The switch connects 28v dc to the ground crew call horn. The horn stops when you release the switch.

Ground Crew Call Horn

These are the conditions which cause the ground crew call horn to operate:

- Push the GRD CALL switch
- The inertial reference system cooling is not sufficient on the ground
- The inertial reference system (IRS) battery warning circuit is on.



1 ENERGIZED WHEN THE ADIRS OPERATES FROM HOT BATTERY BUS OR WHEN THE ADIRS IS ON AND THE EQUIPMENT COOLING FAN DOES NOT OPERATE.

GROUND CREW CALL SYSTEM - FUNCTIONAL DESCRIPTION



GROUNDCONTROL





Thank you for your
attention and have a
nice flight!!!