

**Riddles about animals.
Загадки о животных (для
учащихся 2 классов)**

**Подготовила учитель английского языка Смирнова М.Е.
ГБОУ СОШ № 572 г.Москва**

Цели и задачи:

- ❖ Совершенствование лексических навыков и навыков чтения.
- ❖ Закрепление речевых образцов «I am.../ It is...; I can.../It can.....; I live.../It lives...; I like.../It likes....»
- ❖ Обобщение изученного материала по теме «Животные».
- ❖ Развитие умения слушать и слышать, развитие воображения.
- ❖ Тренировка внимания и мышления.
- ❖ Развитие интереса к изучению английского языка через загадки, игры.

I am very big and I am grey. I live in the jungle, but you can find me at the zoo or in the circus. I don't like meat, I like vegetables, fruit and grass. I am very strong, I can lift a ton.

The answer.



Smirnova M.V. "Riddles about animals".

-I have got a bushy tail, sometimes I am grey and sometimes I am red. I like nuts. What am I?

The answer



Smirnova M.V. "Riddles about animals".

It is green, big and long. It lives in the water and likes to eat meat.

The answer.



**It is small, it lives in the forest. It
is afraid of everything.**

The answer.



**-I can go without food and water
for a long time.**

The answer.



Smirnova M.V. "Riddles about animals".

It is an animal that has beautiful yellow and black stripes and a long tail. It looks like a big cat. It lives in India and it can run very fast.

The answer.



I live in the river. I am not a fish. I jump in the field. I have got a green coat.

The answer.



Who is the slowest of all?

The answer.



Who is the fastest of all?

The answer.



Who has the longest neck?

The answer.



My friend is a man, my wife is a hen, my child is a chick. Who am I? Say quick.

The answer.





Найдите рифмующие пары:

bag	fast
father	phone
cool	flag
last	grey
stone	snow
play	mother
show	try
cry	pool



Какое слово лишнее? Зачеркни его.

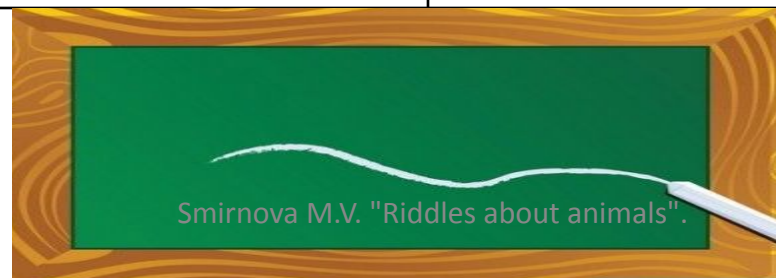
- cat, dog, hamster, ~~horse~~;
- cow, goat, pig, ~~wolf~~;
- fish, frog, ~~fox~~, crocodile;
- tiger, lion, wolf, ~~cow~~;
- fox, wolf, ~~bird~~, hare;
- bear, ~~horse~~, fox, wolf;



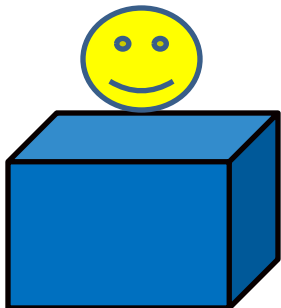
Составьте одно новое слово из двух данных СЛОВ.



foot	shelf
snow	box
book	ball
post	board
letter	card
black	man



Назови лесенку из слов, начинающихся на букву O. Картинки тебе помогут



o	n					
o	l	d				
o	p	e	n			
o	n	i	o	n		
o	r	a	n	g	e	
o	c	t	o	b	e	r



Назови слова, картинки помогут тебе.

m a p

h a t

f a t

c a t

b a g

It is on the wall of your classroom.

A man puts it on his head when it is cold.

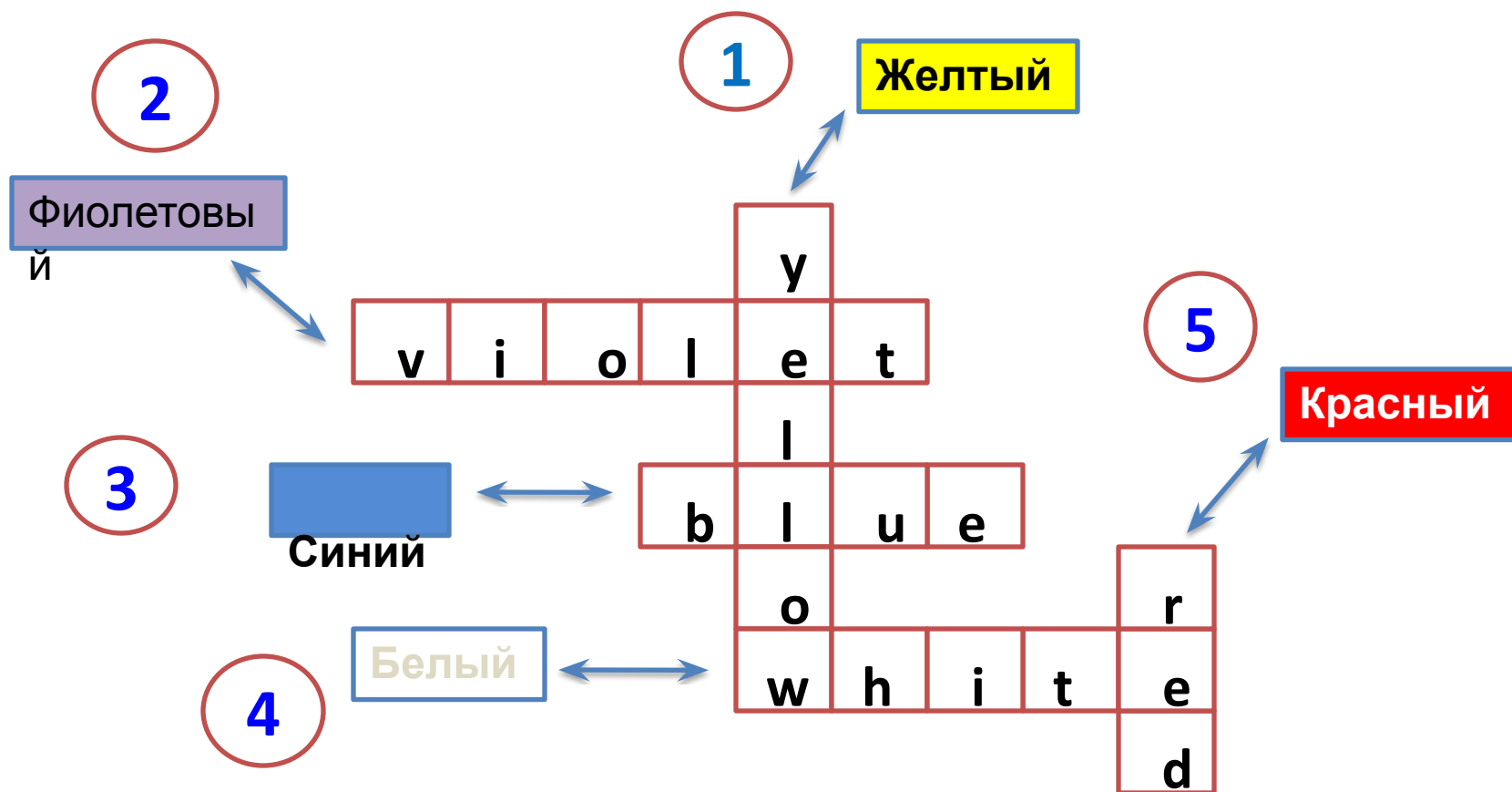
This women is not thin, she is

A pet in the house.

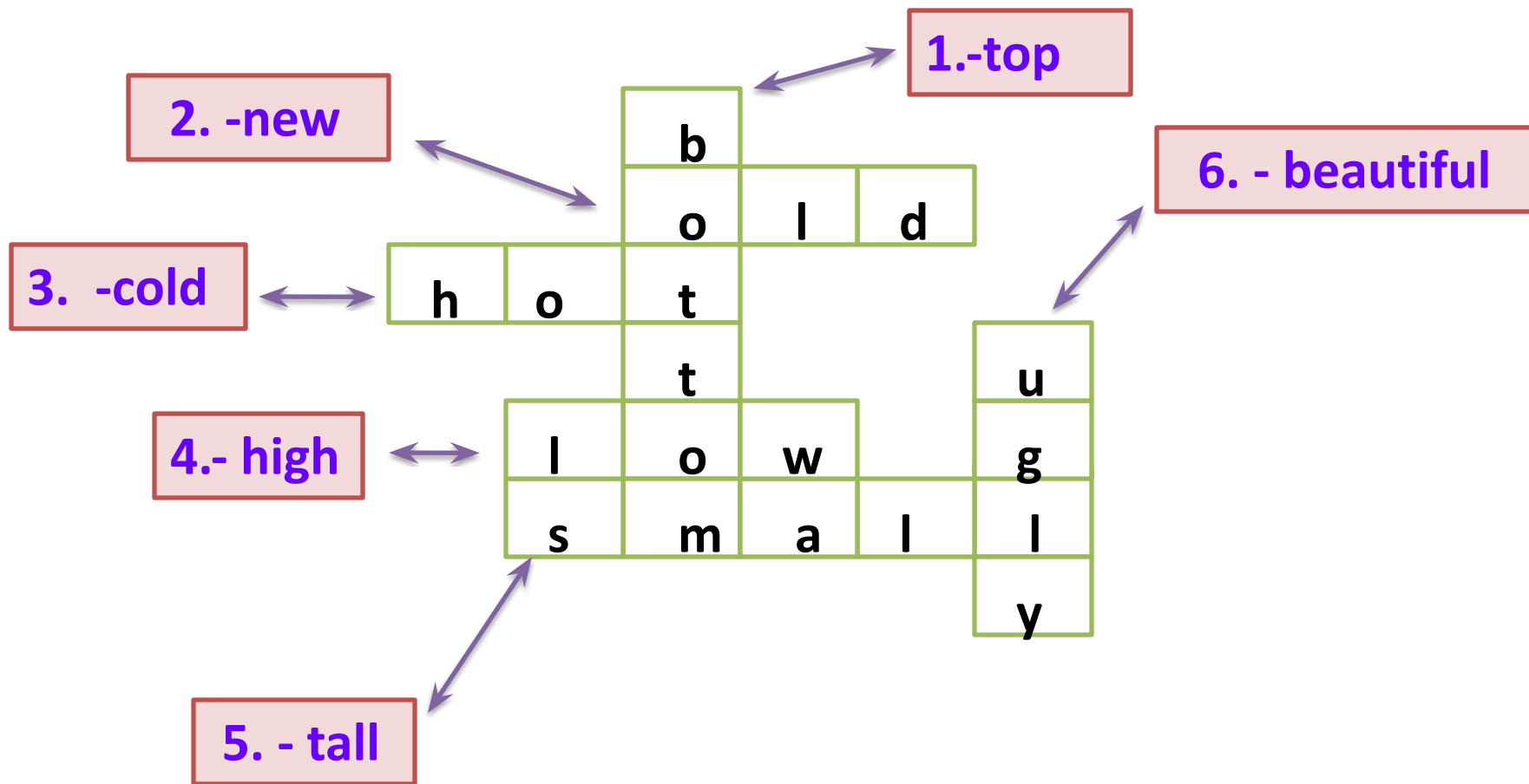
You put your student's books there.

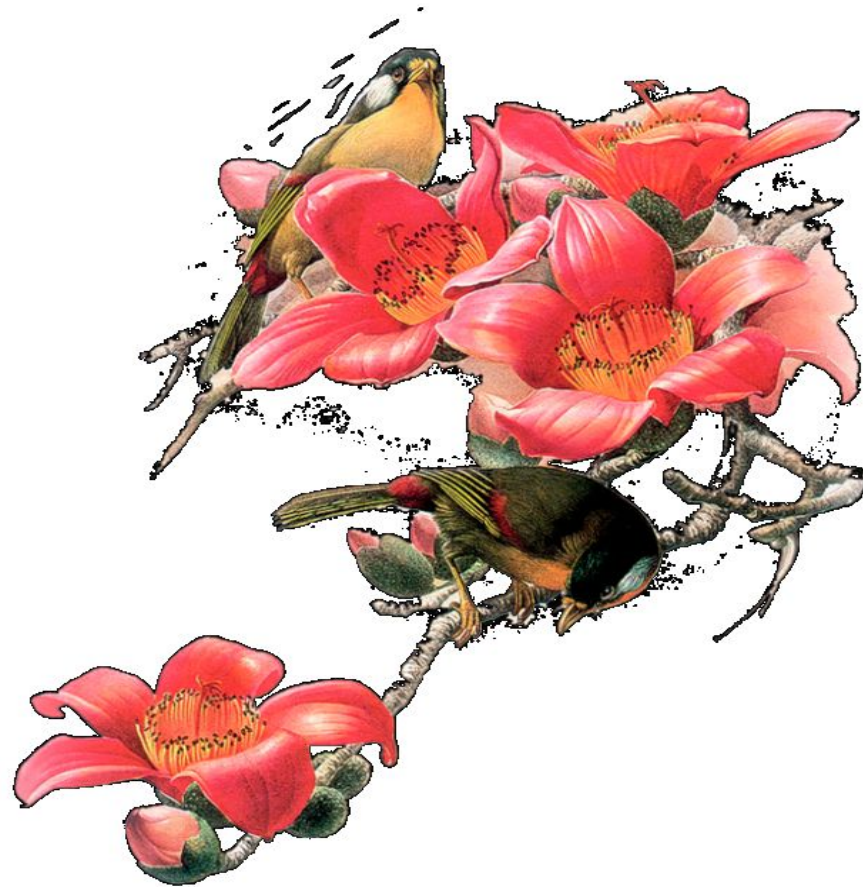


Реши «цветной» кроссворд:



Назови антонимы (слова, имеющие противоположное значение) и проверь себя с помощью кроссворда.





Thank you very much!