



LIRIKA V2 – MAY 2015

From S.N. TW901520255576 Lirika BASIC

From S.N. TW901518239699 Lirika PLUS

PHILIPS

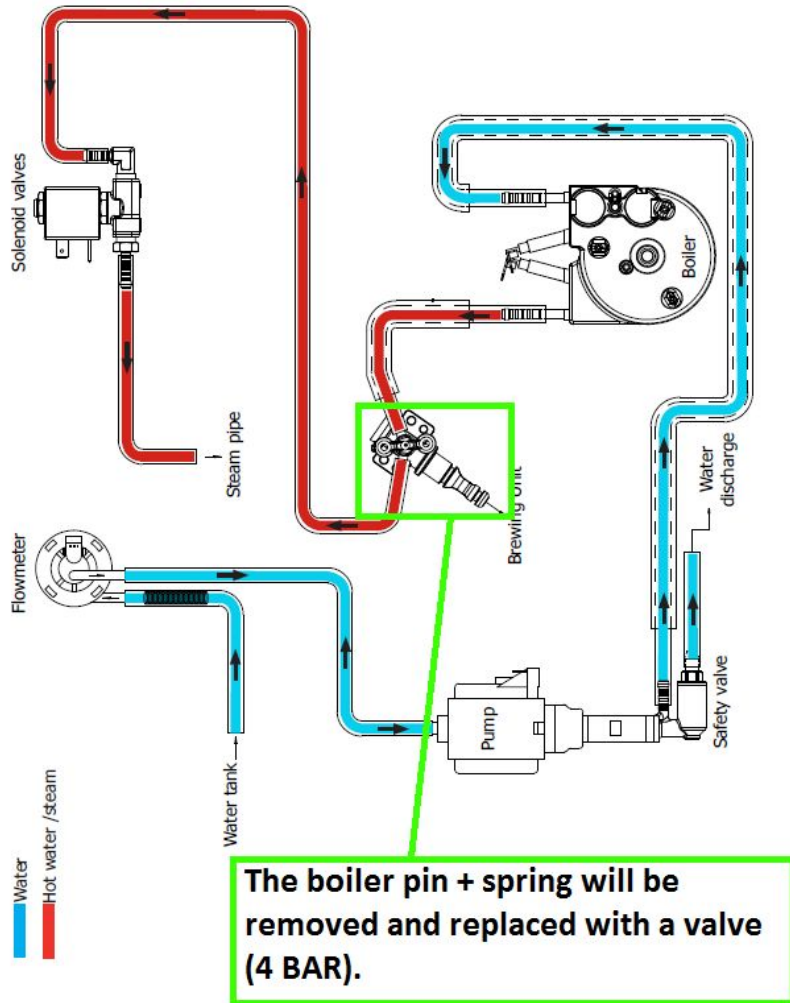
Saeco is a trademark of the Philips Group

NEW SOFTWARE FEATURES □ V2.00.00

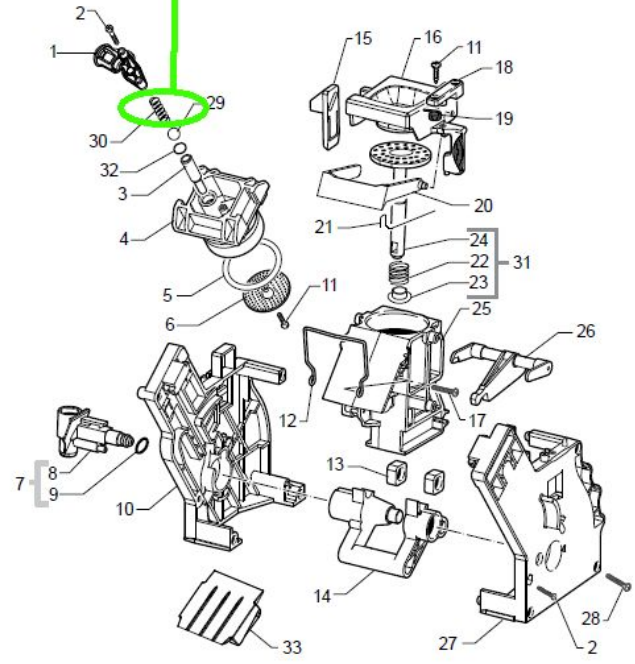
- New management of brewing unit :
 - removed slowdown from work to home position
 - implemented forced reset to home position before grinding
- Control of new hydraulic circuit (mechanical valve 4 BAR and brewing unit valve 5 BAR)
- Possibility to stop the descaling cycle (need to turn off/on the machine)
- Reduced quantity of water for initial and final rinsing
- New default quantities for coffee product (40ml espresso and 120ml long coffee)
- Puk generator
- Possibility to disable the stand-by
- Possibility to disable to descale warning message

THERE IS NO COMPATIBILITY WITH V1 !!! THIS SOFTWARE CAN ONLY BE USED ON MACHINES WITH THE LOW PRESSURE BREWING UNIT AND THE VALVE IN THE BOILER OUTPUT !!!

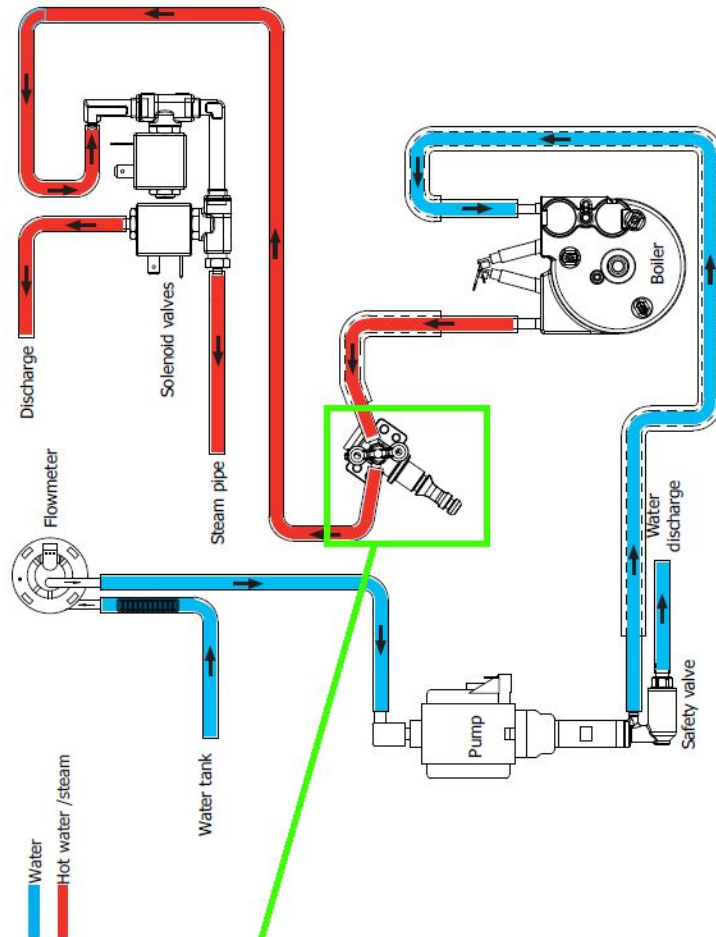
NEW HYDRAULIC CIRCUIT **BASIC VERSION (software MUST BE V2.00.00) or higher**



The spring in the brewing unit output will be replaced from 8 BAR to 5 BAR



NEW HYDRAULIC CIRCUIT **PLUS VERSION (software MUST BE V2.00.00) or higher**



The boiler pin + spring will be removed and replaced with a valve (4 BAR).

The spring in the brewing unit output will be replaced from 8 BAR to 5 BAR

