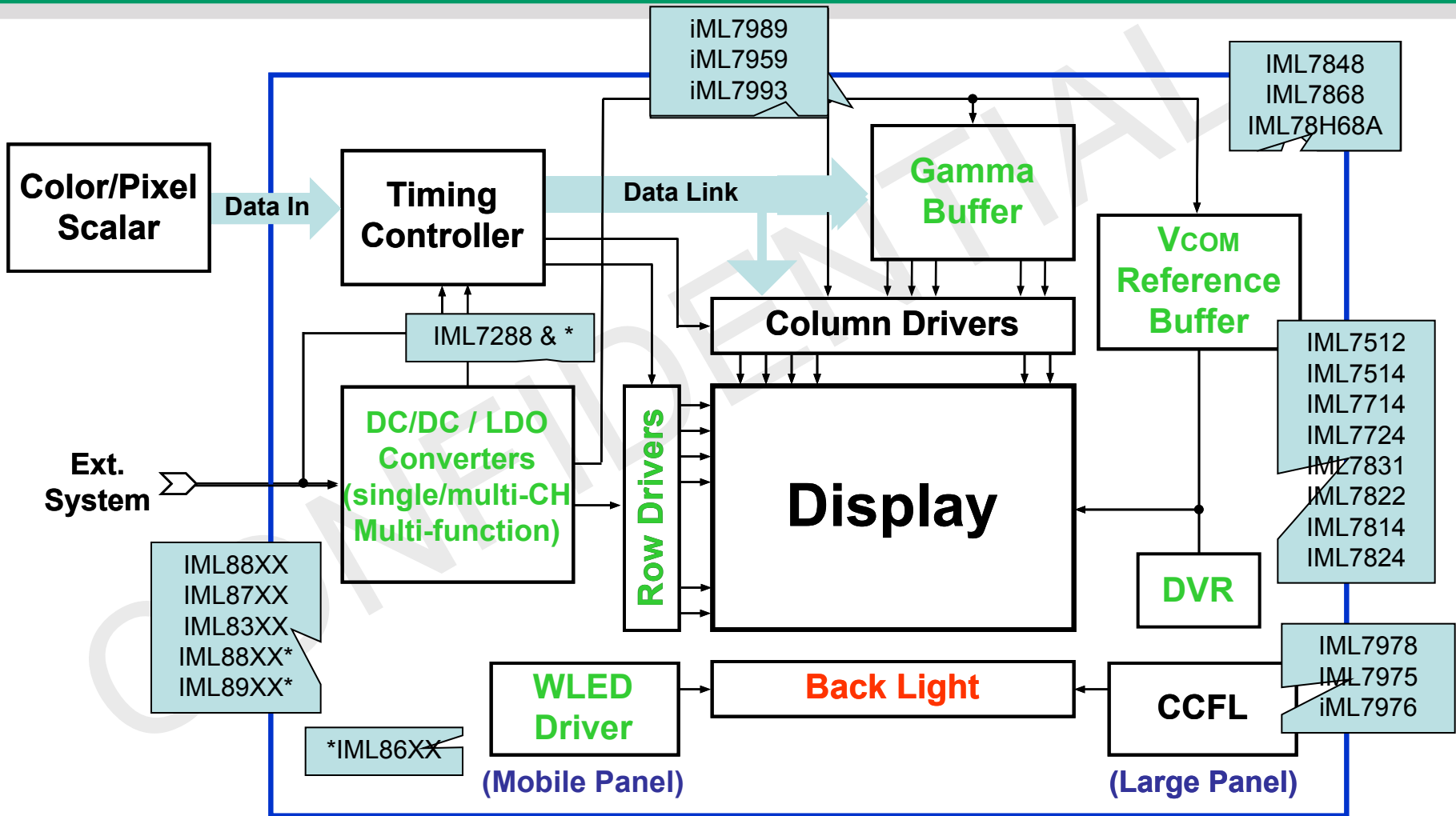




IML Product for TFT-LCD module



IML Product: block with green character (* integration products)



IML Products line-up - Generic

Product		Package Type	Status	Key Features
iML7831	1-Ch. Op-Amp.	5 SOT-23 / 5 TSOT-23 / SC-70-5	MP	High Voltage / Driving
iML7512	2-Ch. Op-Amp.	8 MSOP / SOP	MP	Low Power
iML7822	2-Ch. Op-Amp.	8 MSOP	MP	High Voltage / Driving
iML7514	4-Ch. Op-Amp.	14 TSSOP	MP	Low Power
iML7714	4-Ch. Op-Amp.	14 TSSOP	MP	High Slew Rate
iML7724	4-Ch. Op-Amp.	14 TSSOP	MP	High Driving
iML7814	4-Ch. Op-Amp.	14 TSSOP	MP	High Voltage / Low Power
iML7824	4-Ch. Op-Amp.	14 TSSOP / SOIC	MP	High Voltage / Driving
iML7848	1 Vcom+14-ch Buffer	48 TQFP	MP	High Voltage
iML7868	1 Vcom+18-ch Buffer	48 TQFP	MP	High Voltage
iML78H68A	1 Vcom+18-ch Buffer	48 TQFP	MP	High Voltage
iML8811	Boost DC/DC	8 MSOP	MP	Low Power
iML8711	LDO	8 MSOP	MP	300mA
iML7975	I2C DVR	10 DFN	MP	Digital DVR
iML7976	I2C P-VCOM	10 MSOP	MP	Programmable VCOM
iML7288	Level Shift	16 TSSOP/16 TQFN	MP	HV Level Shifter for GIP
iML7993	14-ch PGM Gamma + 1-ch DVR	32 TQFN	ES	PGM Gamma + DVR
iML8431	36V Shunt Regulator	8 SOP / 3 SOT-23	MP	HV ESD Shunt Regulator
iML8414	Analog Switch	6 SOT-23	MP	Analog Switch

- Can be configured as different CH combination, based on customer's requirement