

Introduction and Operation for CHANGAN Scanner KT660



CHANGAN

After-sales Service Dept. CIC



CHANA

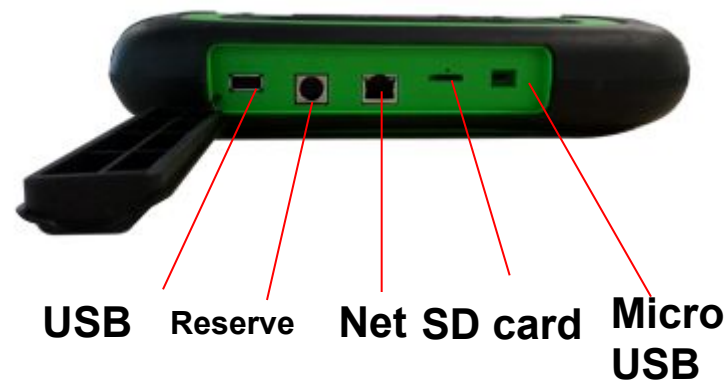
Hardware



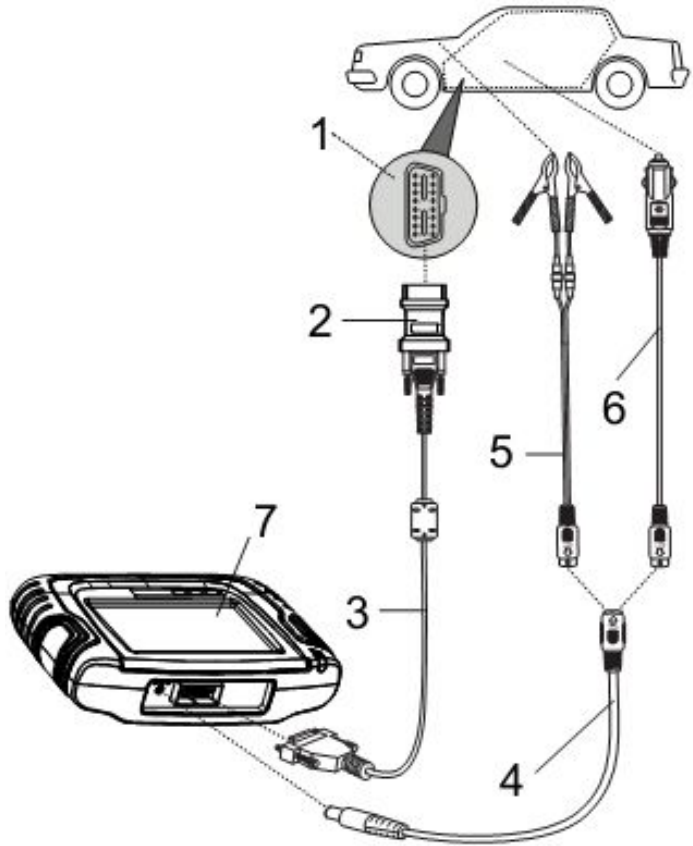
To DLC

To Power

	Failure Indicator: "Red" means failure in scanner
	Communicate Indicator: "Green" means CAN
	Power on/off
	Home
	Print screen



Diagnosis link

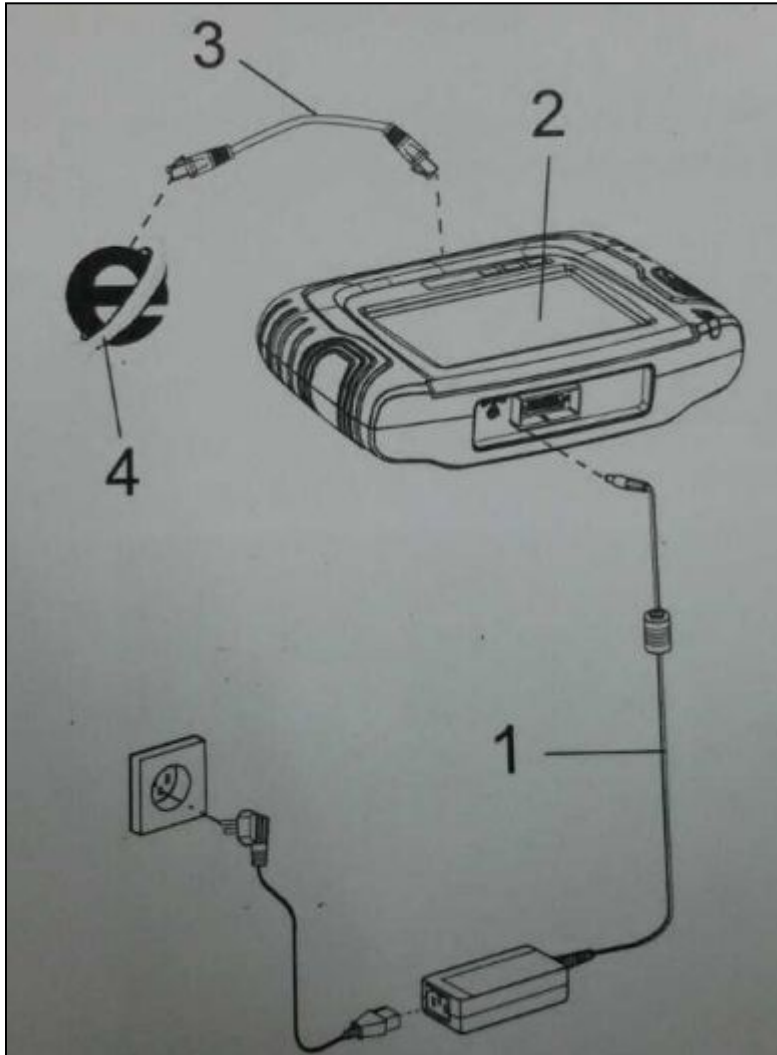


Note:

How many ways to supply power to the scanner ?

Network link

Note:For the activation and update, the scanner shall be linked to the network.

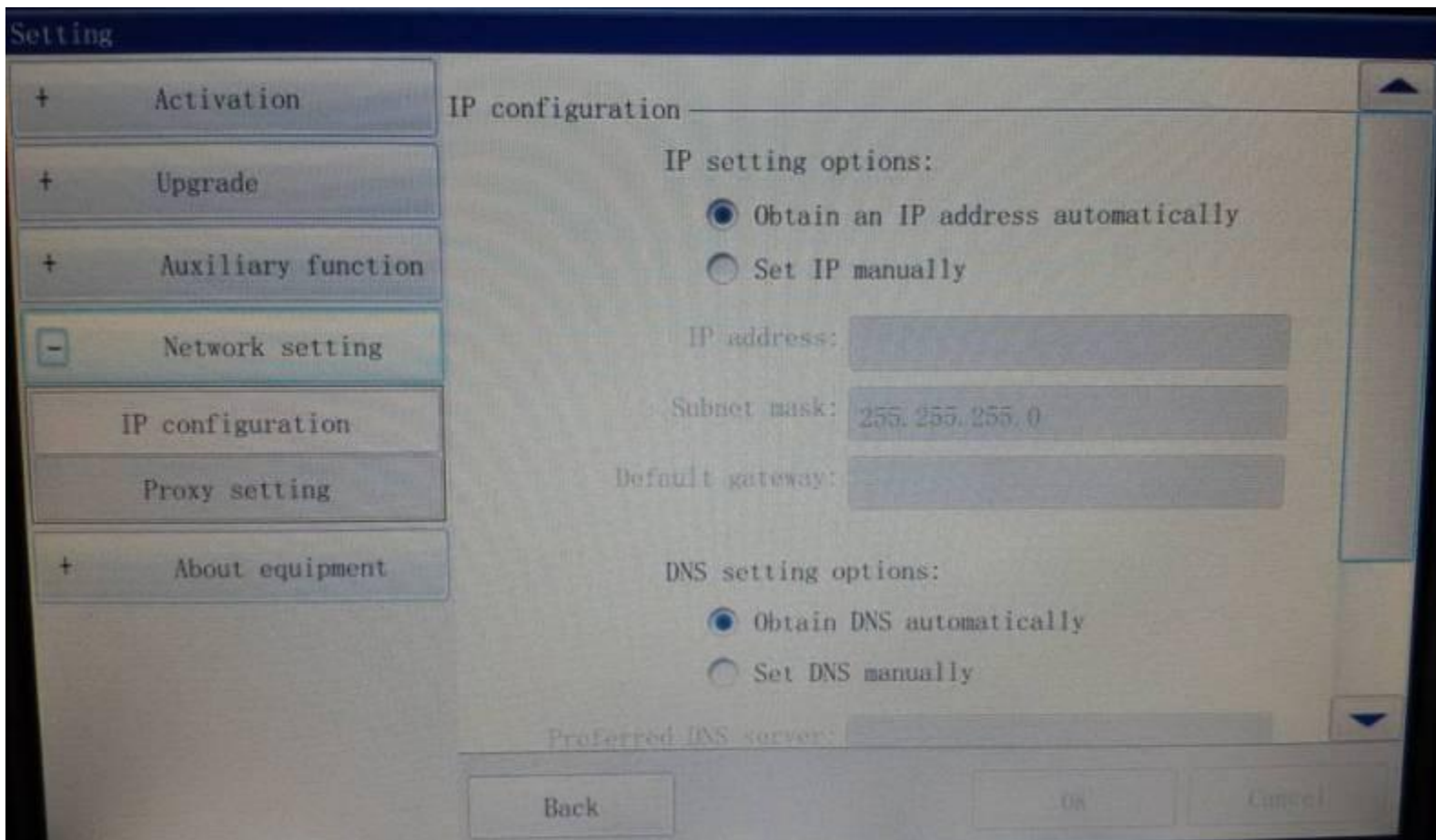


1: Battery adapter

2: KT660

3: Network cable

Network link

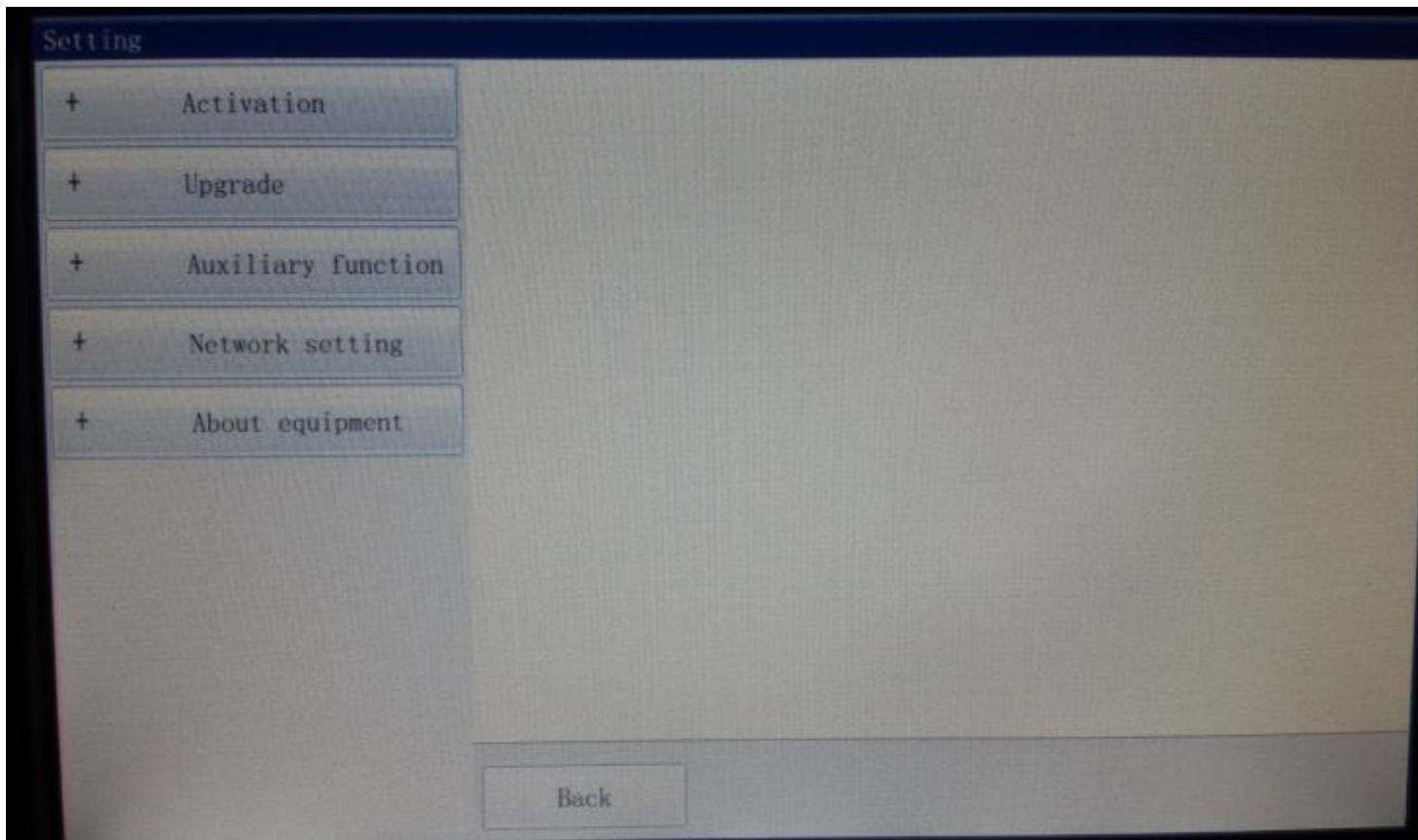


Activation

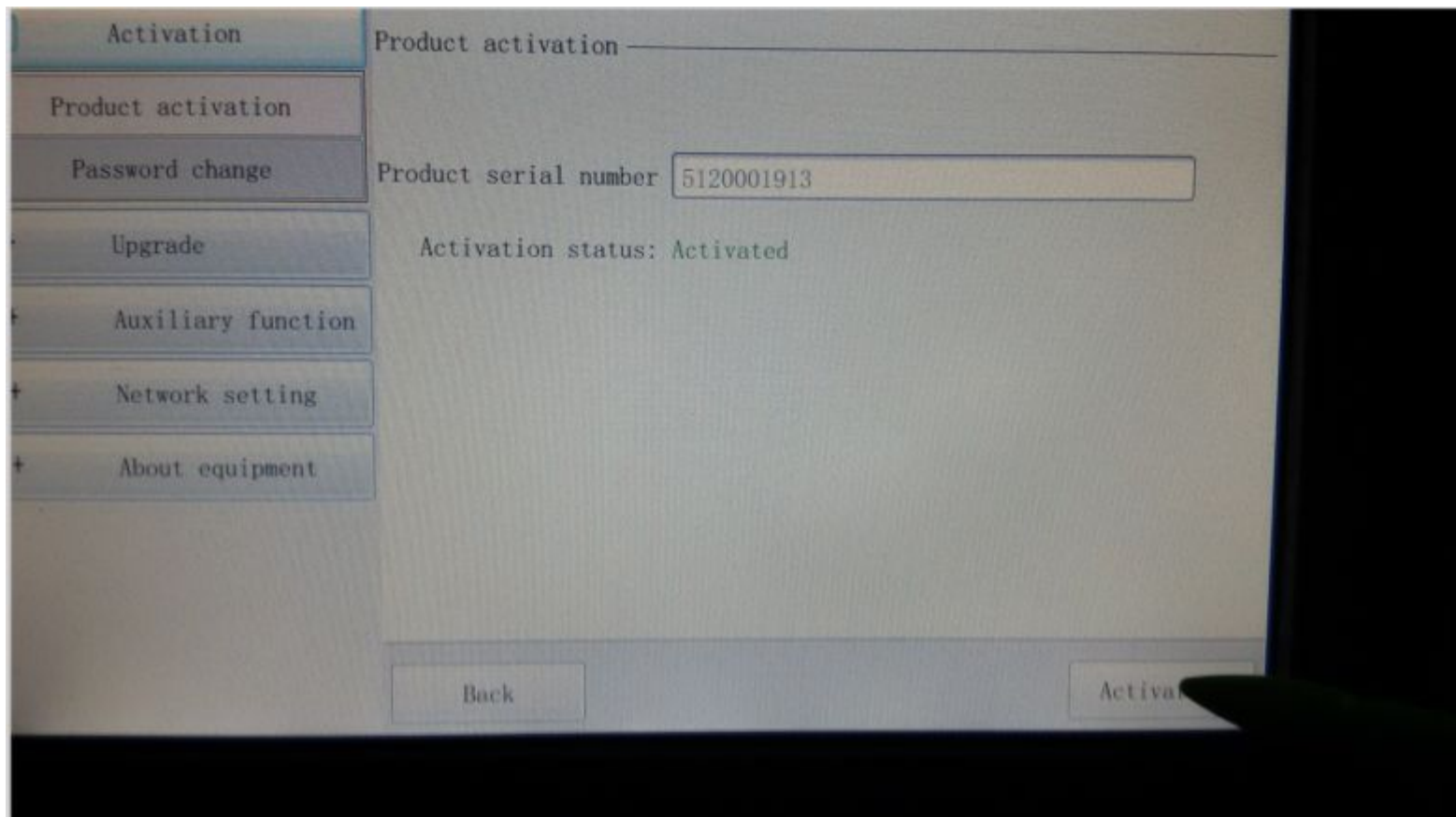
Note: If KT660 is not activated, it can not be used to diagnose.



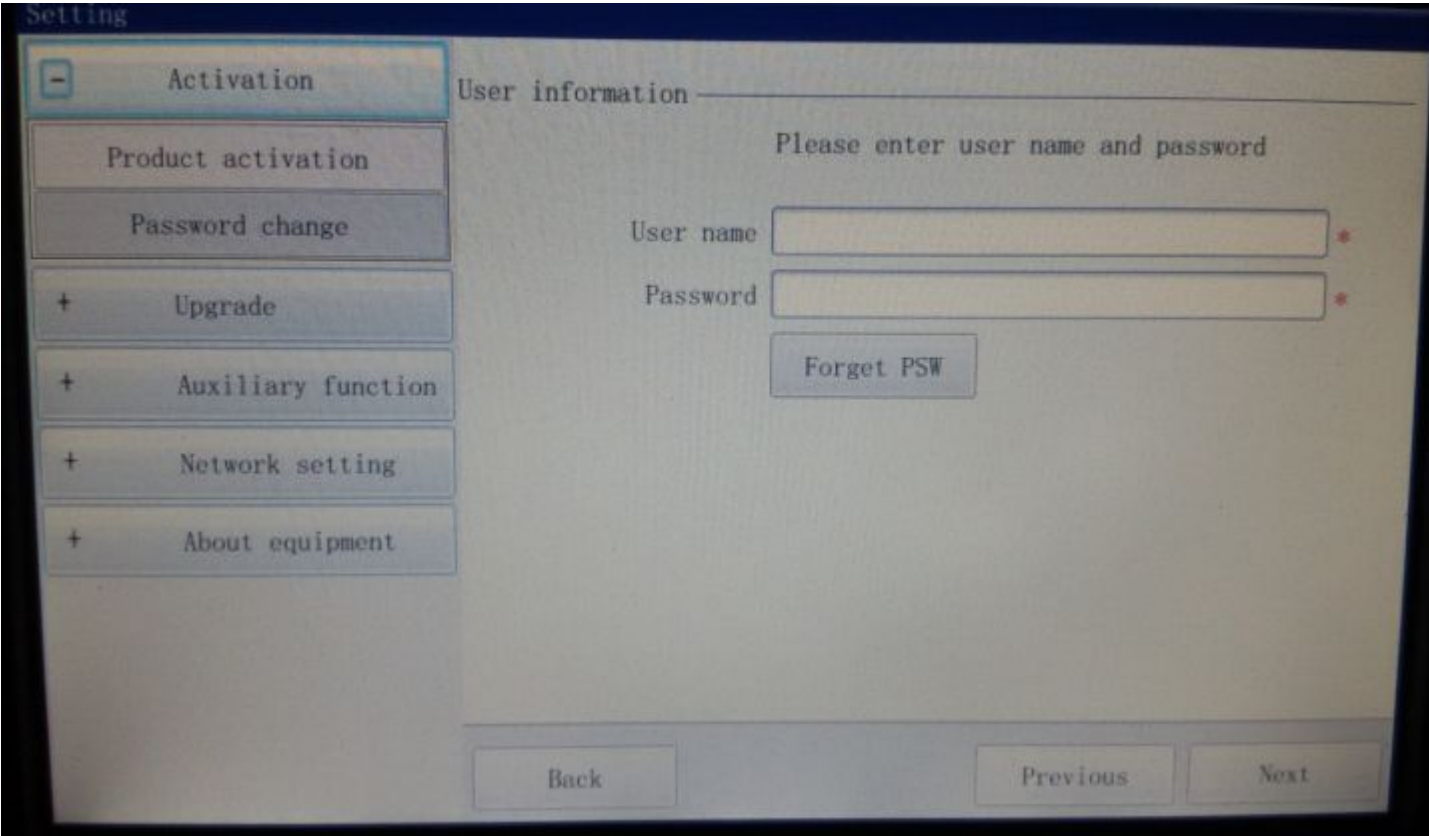
Activation



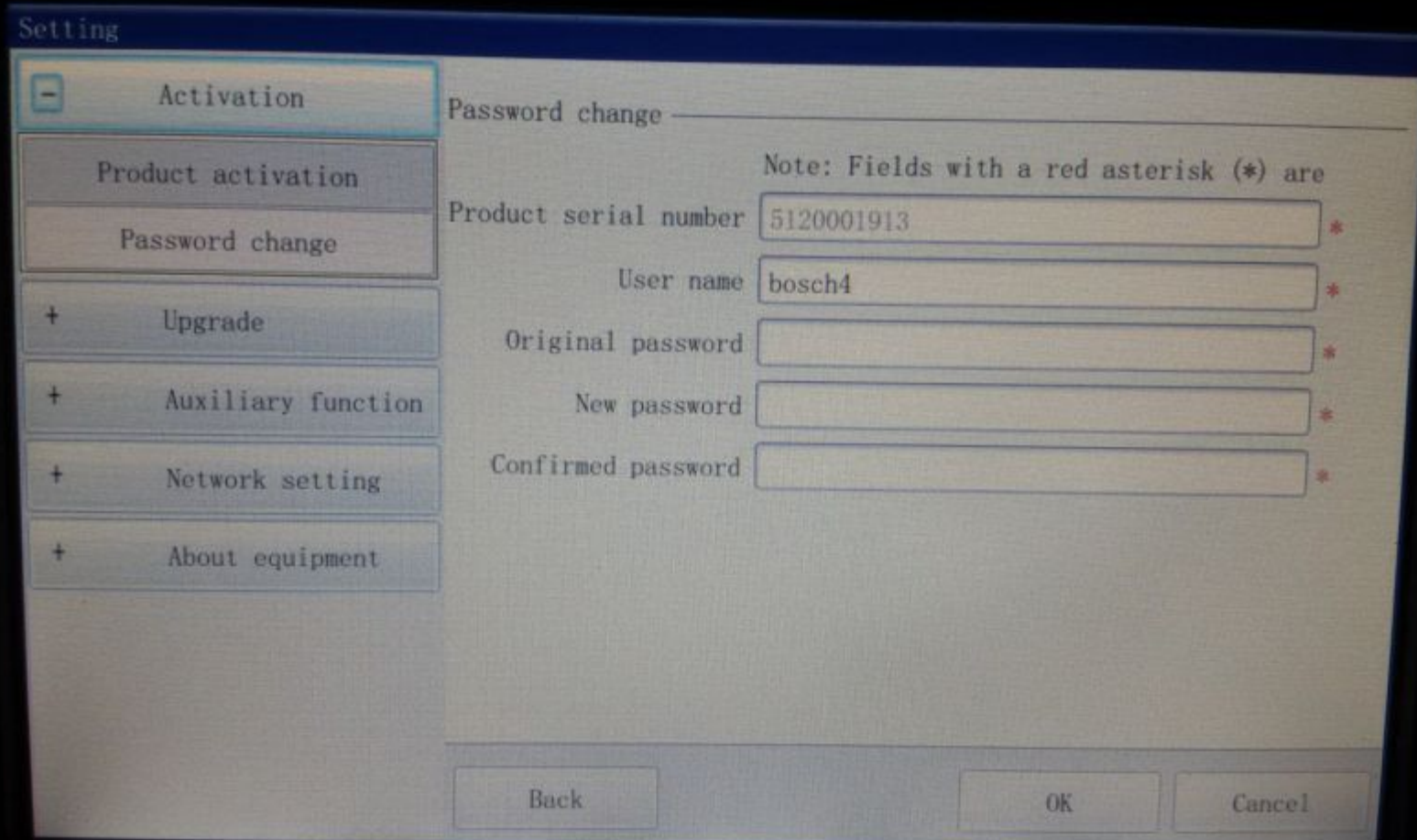
Activation



Activation



Password change



Note: The password change can only be operated after the scanner is activated.

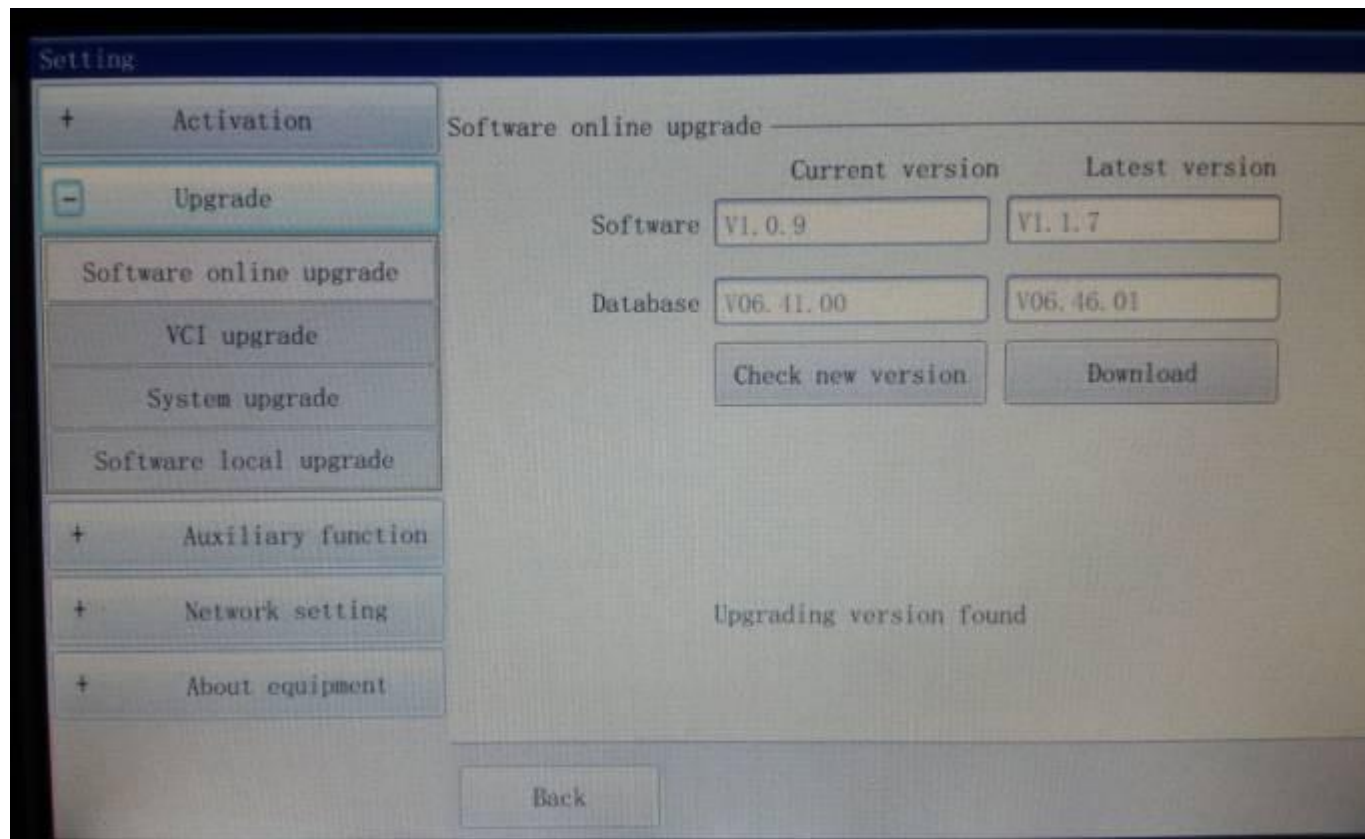
Update

Note: When the KT660 is linked to network, it can automatically find the newest software for update.

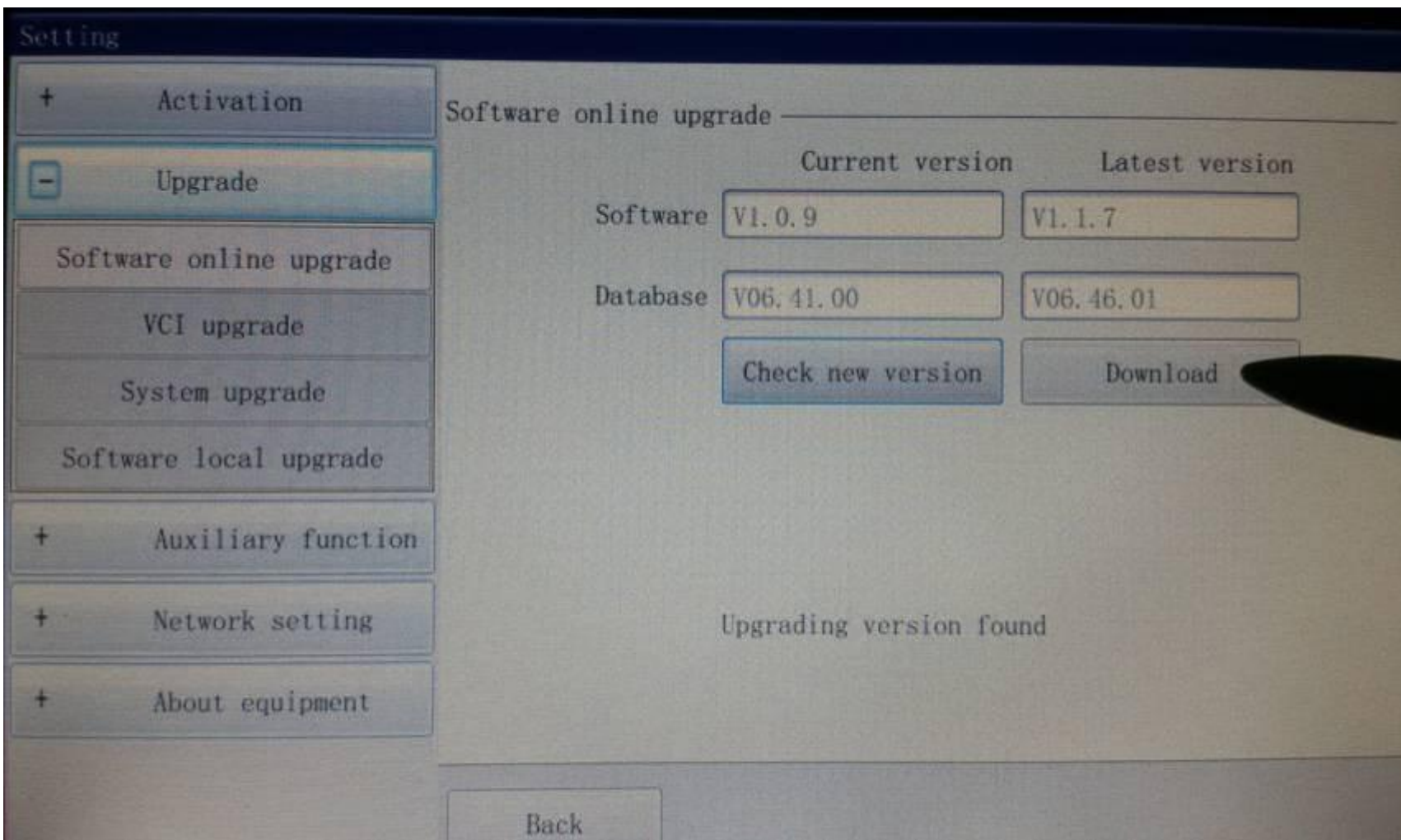


Update

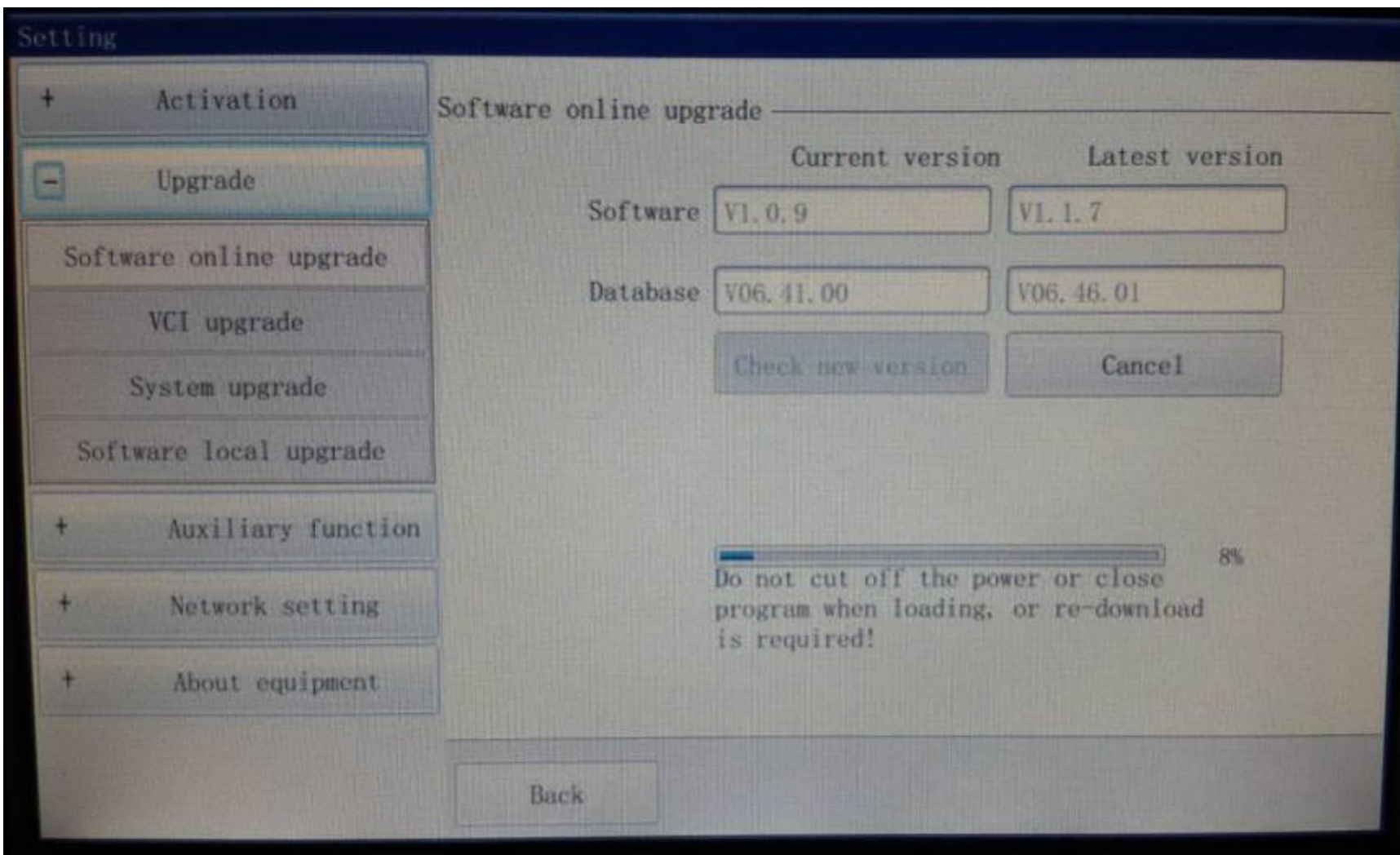
You also can use the following method to update



Update



Update



长安行天下
CHANGAN DRIVES THE WORLD