
CAN CRUSHER PROJECT

BY ANDRE NEUMANN





CHEAP VS. STAINLESS STEEL

I BOUGHT THE CHEAPEST CAN CRUSHER FOR \$5.99 AND I FIGURED IN NO TIME, THAT CHEAPER IS NOT POSSIBLE, NEITHER IN PRICE NOR IN QUALITY.

IF I WANT TO SELL A CAN CRUSHER I NEED TO GET IT IN THE GASTRONOMY BRANCH AND I HAVE TO AVOID RETURNS BECAUSE OF MISERABLE QUALITY.

WHICH MAKES ME TO USE DIFFERENT MATERIALS, HIGHER PRECISION AND A BEAUTIFUL DESIGN WITH LESS USE OF MATERIAL.

THE CHEAPER VERSION

HARBOR FREIGHT
QUALITY TOOLS LOWEST PRICES

What are you looking for today?



All Departments ▾

New Items

Clearance

Gift Cards

Inside Track Club

Monthly Ad

Get Coupons

Home >



16 Oz. Can Crusher

★★★★★ (508) ▾ Write a Review

Crush large 16 oz. cans with this can crusher

\$5⁹⁹

1 ▾

Add to Cart

+ Add to My List



CLEAN INSTEAD OF CHEAP

- PROJECT IMPROVEMENT
- ALL SHEET METAL COMPONENTS MADE OF 1.5 mm THICK STAINLESS STEEL

BENEFITS

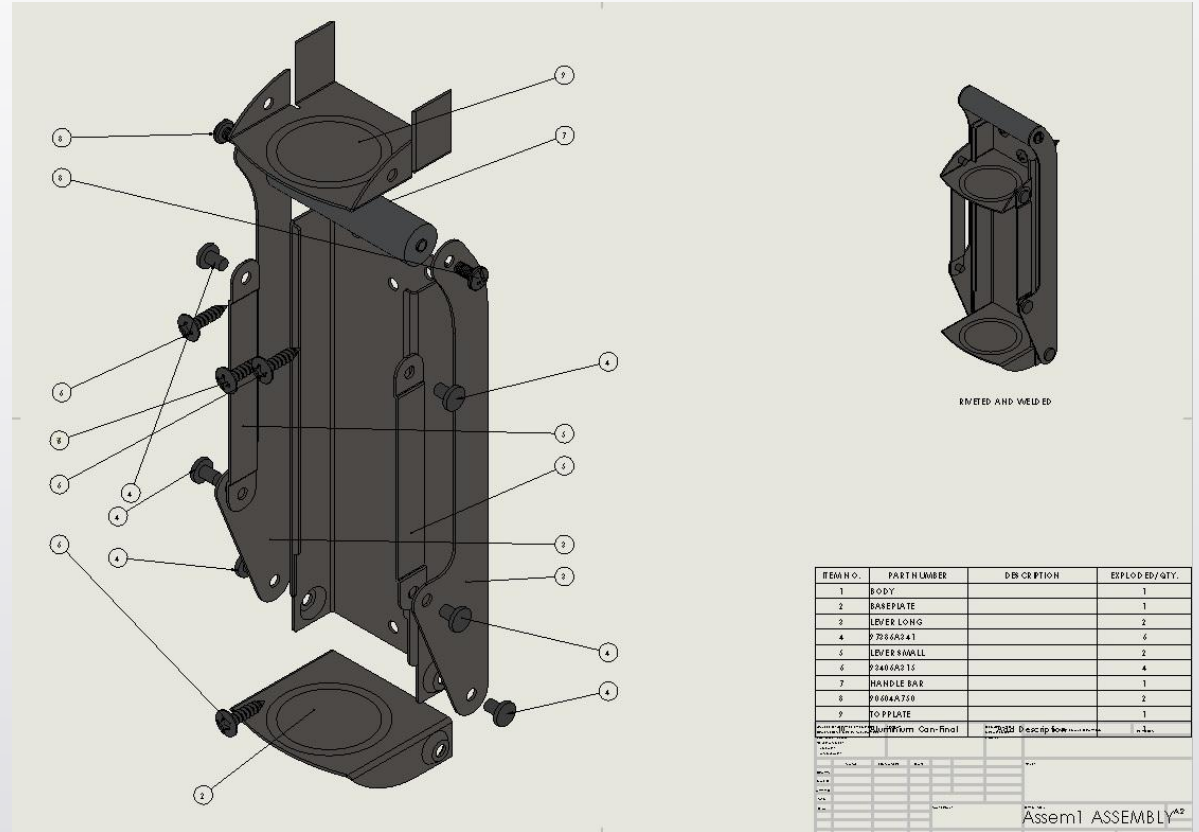
- CLEANER / CATERING SUPPLIES / MORE CUSTOMERS
- NO PAINTING REQUIRED / BETTER OPTIC
- LOWER MATERIAL COST, BECAUSE ALL THE SAME THICKNESS

LOOK GOOD

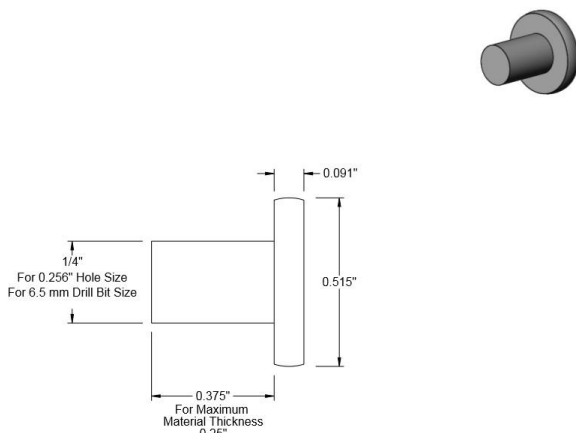


LOOK BETTER

ASSEMBLY



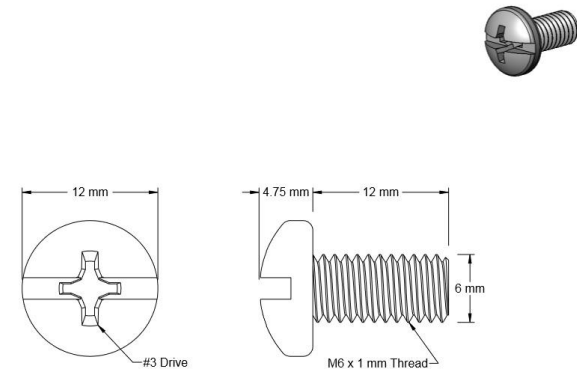
BUYING-IN



1/4"
 For 0.256" Hole Size
 For 6.5 mm Drill Bit Size

0.091"
 0.515"
 0.375"
 For Maximum
 Material Thickness
 0.25"

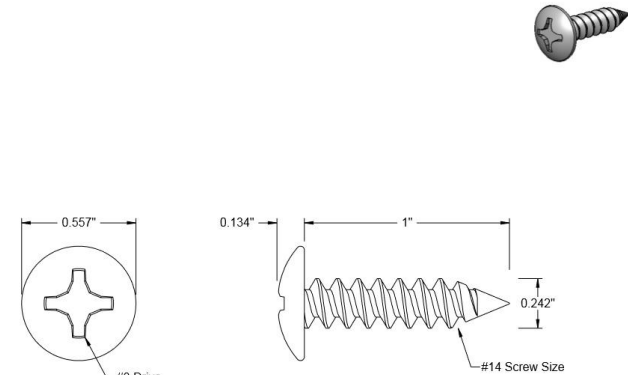
McMASTER-CARR CAD	PART NUMBER	97386A341
http://www.mcmaster.com		Flat Head
© 2019 McMaster-Carr Supply Company		Solid Rivet
<small>Information in this drawing is provided for reference only.</small>		



12 mm
 #3 Drive

4.75 mm
 12 mm
 6 mm
 M6 x 1 mm Thread

McMASTER-CARR CAD	PART NUMBER	90604A750
http://www.mcmaster.com		Stainless Steel Combination Slotted/Phillips
© 2017 McMaster-Carr Supply Company		Rounded Head Screw
<small>Information in this drawing is provided for reference only.</small>		

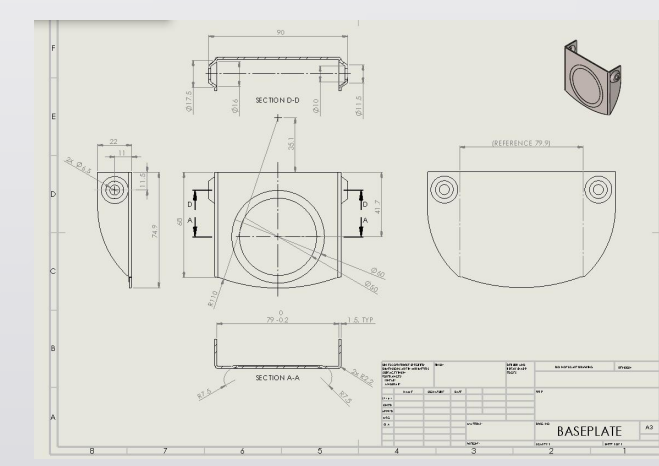
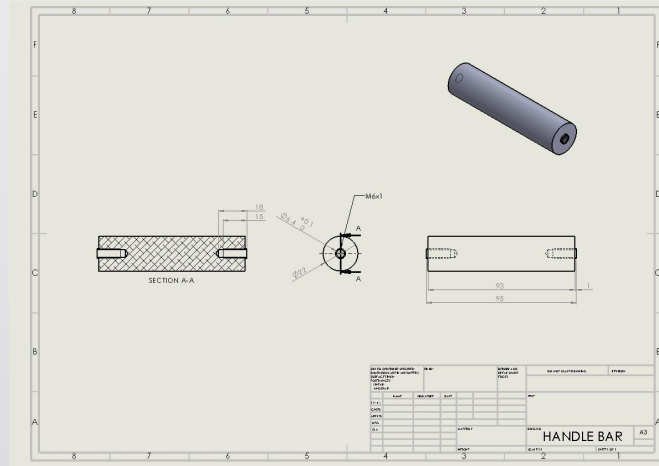
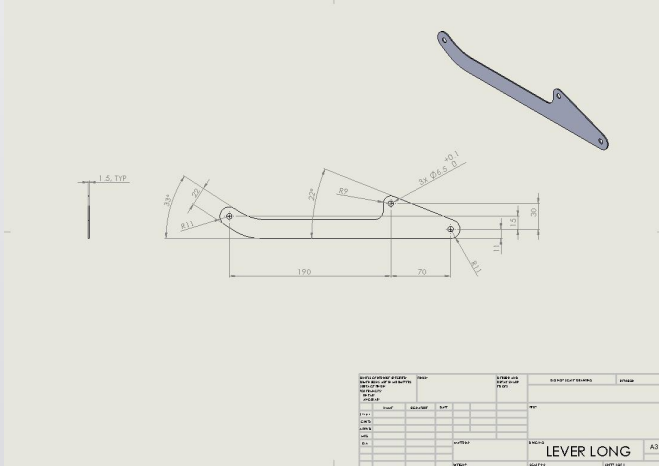
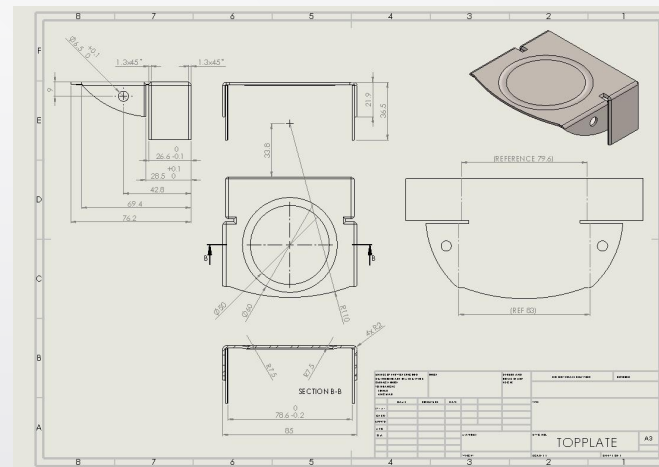
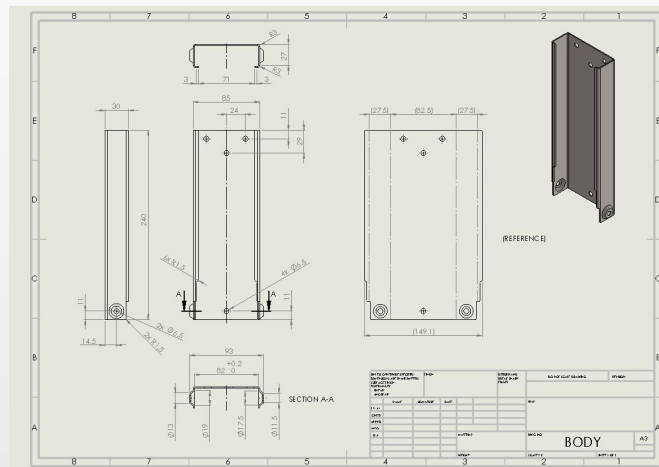
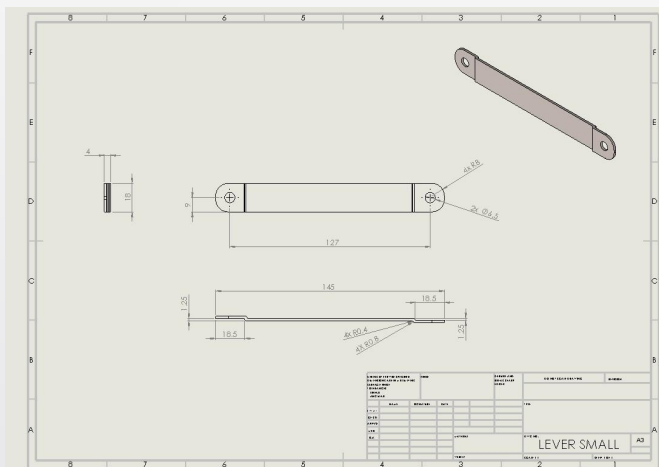


0.557"
 #3 Drive

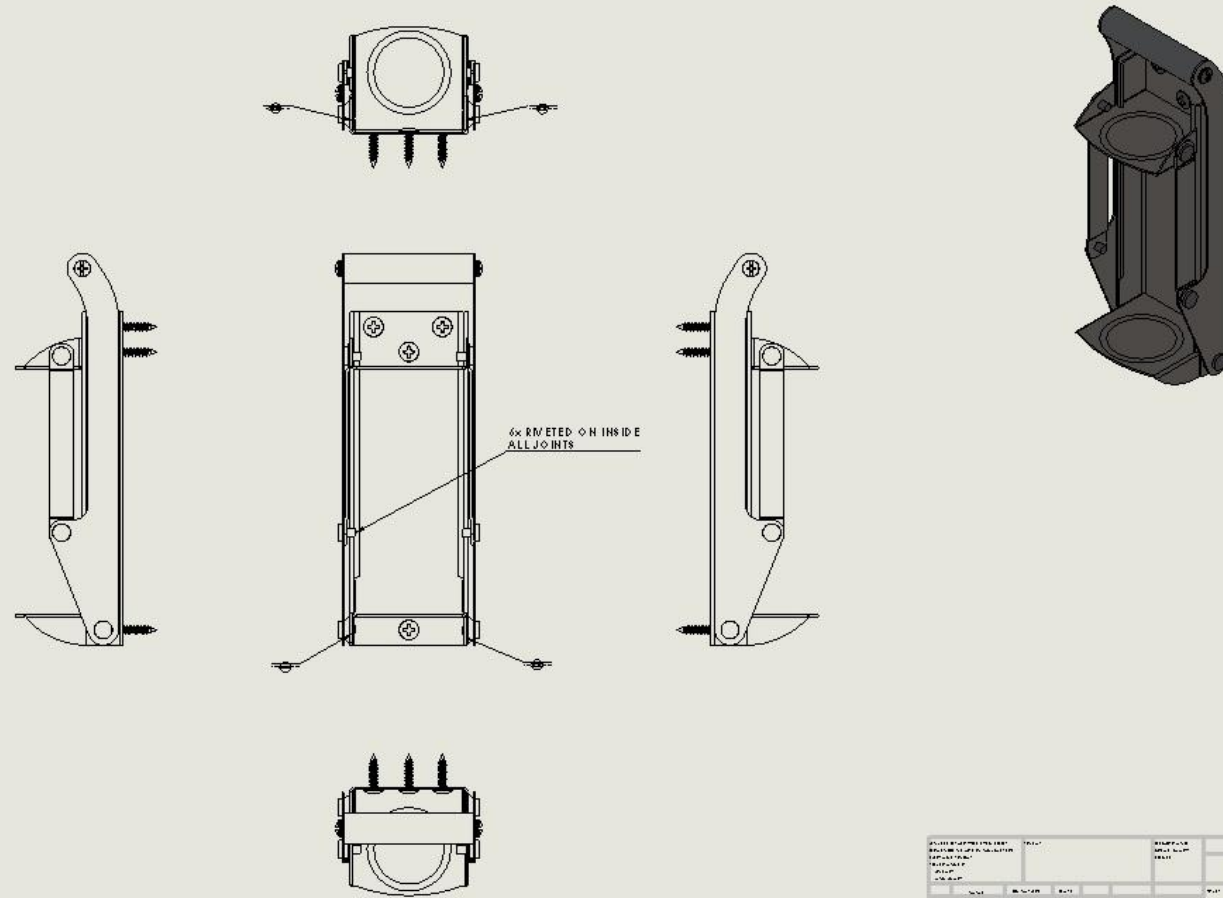
0.134"
 1"
 0.242"
 #14 Screw Size

McMASTER-CARR CAD	PART NUMBER	93406A315
http://www.mcmaster.com		Large Diameter (Truss) Head
© 2014 McMaster-Carr Supply Company		Screw for Sheet Metal
<small>Information in this drawing is provided for reference only.</small>		

MEASUREMENTS



WELDMENTS



NO.	DESCRIPTION	QTY	UNIT	REMARKS
1	WELDED ASSEMBLY	1	PC	
2	WELDED ASSEMBLY	1	PC	
3	WELDED ASSEMBLY	1	PC	
4	WELDED ASSEMBLY	1	PC	
5	WELDED ASSEMBLY	1	PC	
6	WELDED ASSEMBLY	1	PC	
7	WELDED ASSEMBLY	1	PC	
8	WELDED ASSEMBLY	1	PC	
9	WELDED ASSEMBLY	1	PC	
10	WELDED ASSEMBLY	1	PC	

AssemT WELDING AND RM