


The 1<sup>st</sup> of October  
Education in Russia:  
yesterday, today, tomorrow





***Learn to use  
lexical material  
in present, past  
and future tense***

# Educational system of Russia

Post-graduate  
education

Professional  
re-training

MBA programs

Higher education (master  
programs)

Higher education (bachelor)

Higher education  
(specialist)

**UNIFIED STATE EXAMINATIONS**

Secondary school (upper  
secondary education)

Secondary school (specialized  
professional training school)

Secondary school (general education schools)

Pre-school education (kindergardens)

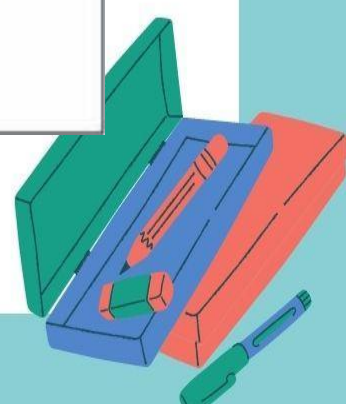


+

-

?

I WE YOU THEY  <b>V</b>  HE SHE IT <b>V + -s/-es</b>	I WE YOU THEY  <b>do not (don't) +V</b>  HE SHE IT <b>does not (doesn't) +V</b>	<b>Do</b> I WE YOU THEY  <b>V</b>  <b>Does</b> HE SHE IT  <b>V</b>
I HE SHE IT WE YOU THEY  <b>V + -ed</b>  <b>V(II)</b>	I HE SHE IT WE YOU THEY  <b>did not (didn't) +V</b>	<b>Did</b> I HE SHE IT WE YOU THEY  <b>V</b>
I HE SHE IT WE YOU THEY  <b>will + V</b>	I HE SHE IT WE YOU THEY  <b>will not (won't) +V</b>	<b>Will</b> I HE SHE IT WE YOU THEY  <b>V</b>





<https://wordwall.net/resource/32218154/make-a-sentence>



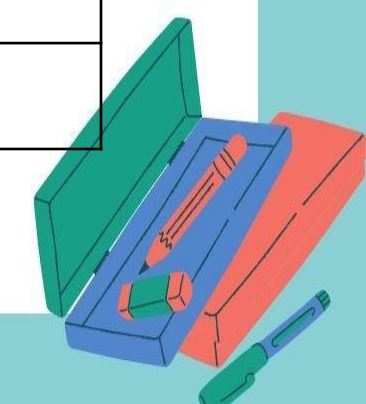
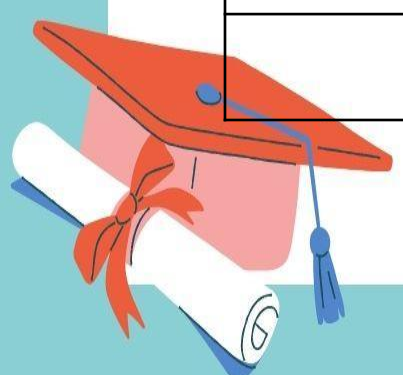
*Speaker A.* She would like to get less homework.

*Speaker B.* She enjoys taking test.

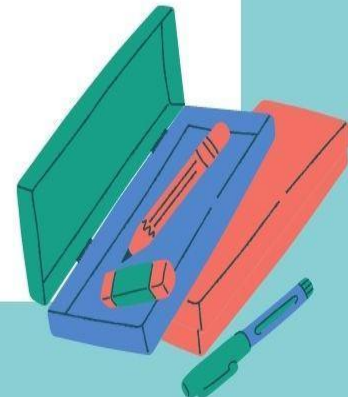
*Speaker C.* She wants to be a teacher.

*Speaker D.* She thinks some lessons are too long.

Speaker 1	Speaker 2	Speaker 3	Speaker 4
<b>D</b>	<b>A</b>	<b>C</b>	<b>B</b>



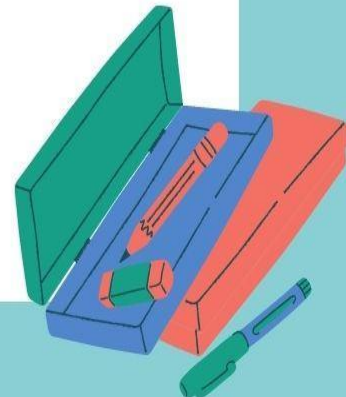
# ***Make up a dialogue***



# *Questionnaire*



<https://app.onlinetestpad.com/surveys/pzer74c3e4efi>







# *Reading*

**depart** [di:'pɑ:t] - отправляться; уходить; уезжать куда-либо

**emphasis** ['emfəsis] - особое внимание

**establishing** [ɪ'stæblɪʃɪŋ] - установление, создание

**secondary education** ['sekəndəri edʒu'keɪʃn] - среднее образование

**general public** ['dʒenərəl 'pʌblɪk] - общественность, общество

**Bachelor's degree** ['bætʃələ's dɪ'grɪ:z] - степень бакалавра

**Master's degree** ['mɑ:stə's dɪ'grɪ:] - степень магистра





# Reading

## Task:

**1. Peter I didn't want to leave Russia and studied only in Russia.**

a) True      b) False      c) Not stated

**2. Secondary education was for all children from all social classes in 18-19 centuries.**

a) True      b) False      c) Not stated

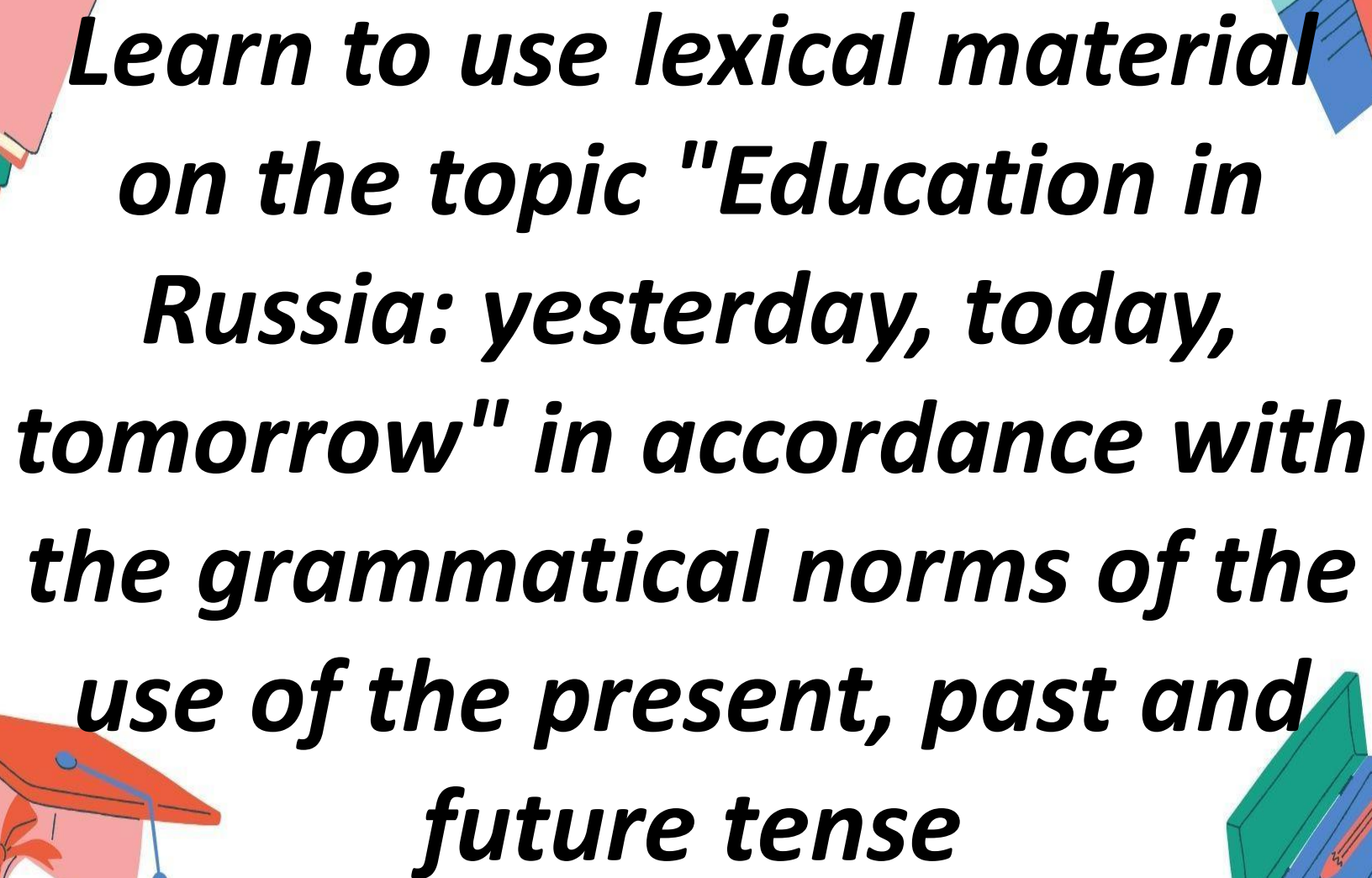
**3. There were a lot of boarding schools, where children could live during the semester.**

a) True      b) False      c) Not stated

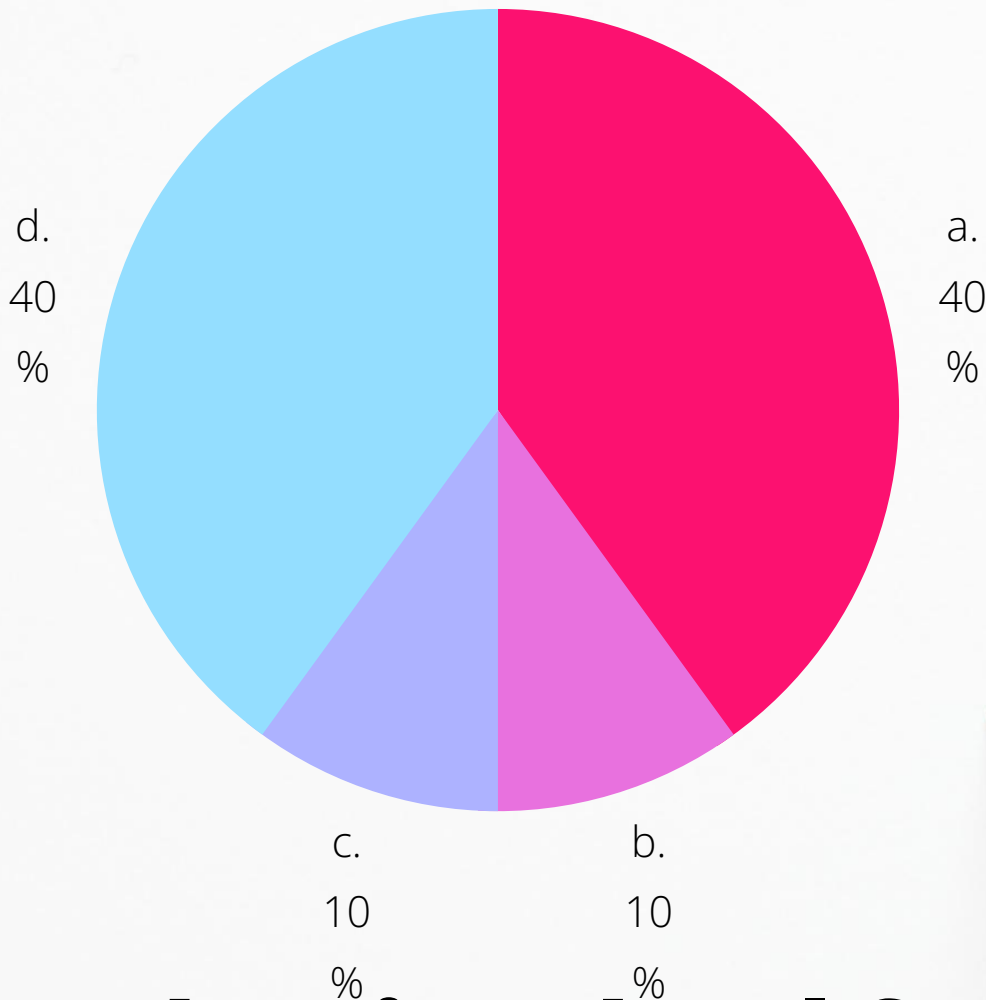
**4. Russian system of education has changed greatly and have a lot of in common with Europe and the USA.**

a) True      b) False      c) Not stated





***Learn to use lexical material  
on the topic "Education in  
Russia: yesterday, today,  
tomorrow" in accordance with  
the grammatical norms of the  
use of the present, past and  
future tense***



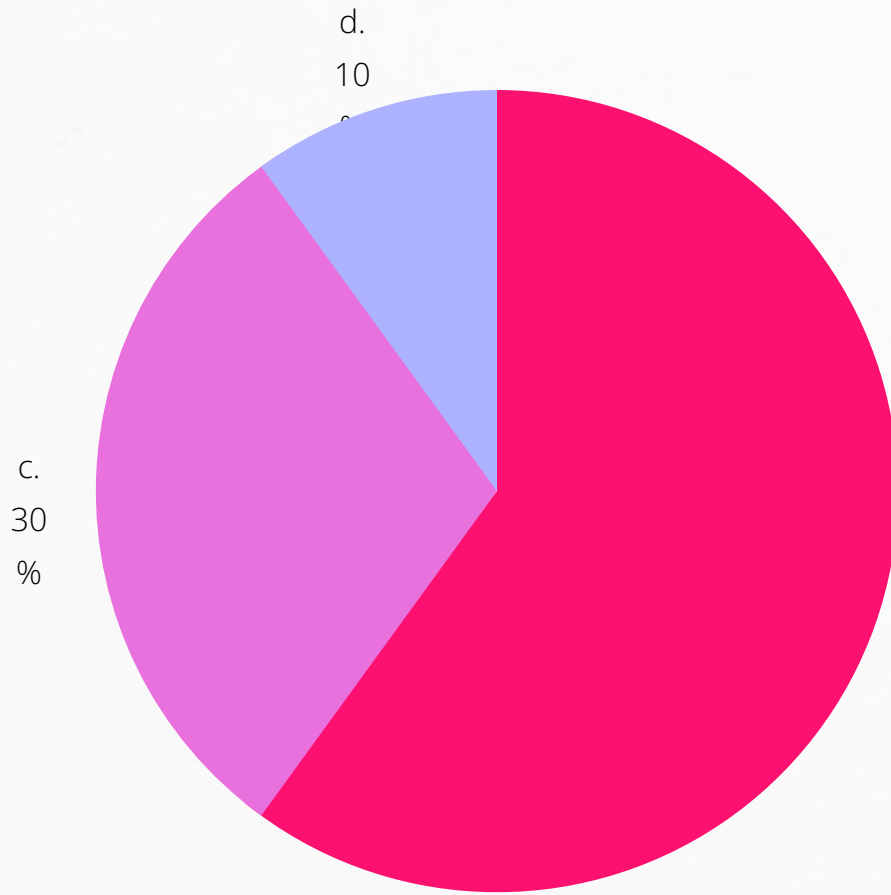
**a. interesting lesson**

**b. boring lesson**

**c. my friends**

**d. my education**

# 1. What is school for you?



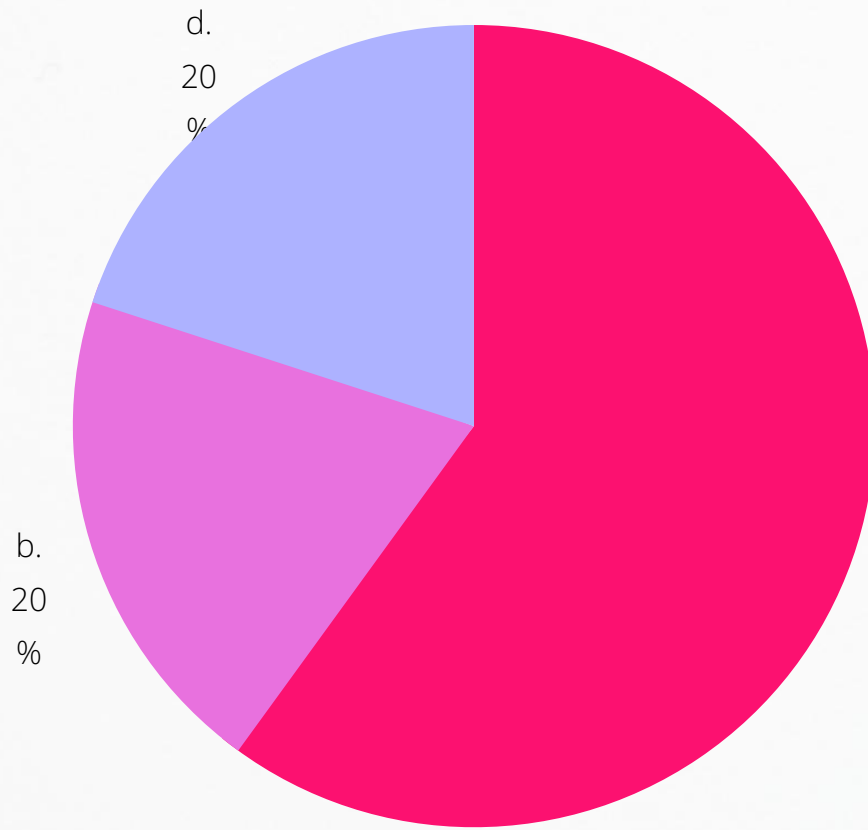
**a. foreign languages**

**b. drama**

**c. psychology**

**d. dancing/music**

**2. What subjects would you like to study in school of future?**



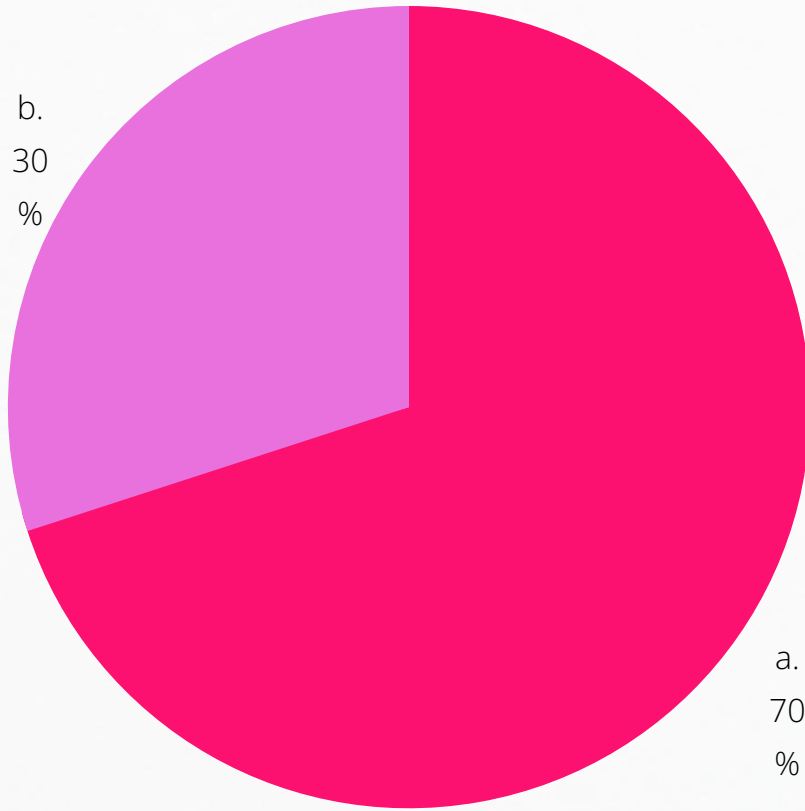
**a. homework**

**b. short holidays**

**c. too many lessons**

**d. teachers**

### **3. What didn't you like at school?**

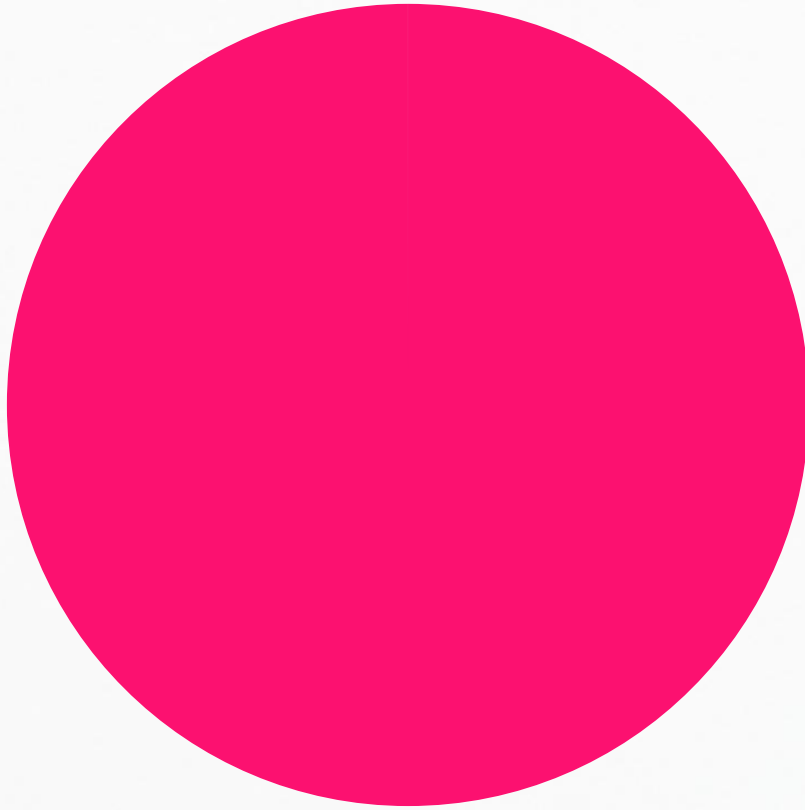


**a. school uniform**

**b. free style of clothing**

a.  
70  
%

**4. What clothes should pupils wear at school?**



a.  
100  
%

a. Yes

b.No

**5. Do you want to change the education at school in future?**





# ***Rating***

**"5" - 7-8 points;**

**"4" - 6 points;**

**"3" - 5 points;**

**"2" - less 4 points.**





# ***Homework***

## ***Essay:***

***“Does the new society require  
a new school?”***



The top-left corner features two spiral-bound notebooks, one pink and one green. The top-center shows two red pencils, one sharpened and one with a blue eraser. The top-right corner displays a stack of papers in red, blue, and yellow.

# Reflection

*Describe today's lesson  
in one word or phrase.*

