

HANGZHOU DONGYA INSTRUMENT CO, . LTD

Main products: Pressure gauge, pressure transmitter, pressure controller, thermometer

Company profile

Company Overview



Hangzhou Dongya Instrument Co., Ltd. is located in Fuyang, a southern suburb of Hangzhou, with convenient transportation, fresh air, and beautiful scenery. It is one of the national instrumentation production bases.

Our company is an early manufacturer of shock-proof pressure gauges and all stainless steel pressure gauges in Zhejiang Province. Now we are a professional manufacturer of various pressure sensors, pressure transmitters and automatic control systems, production scale, technical level and research and development capabilities. There are more than 10 pressure instrument production lines, which can produce series products of various specifications in batches. Various pressure transmitters and pressure meters are widely used in petroleum, chemical, metallurgy, machinery, food, printing and dyeing industries, the products are sold to domestic , Southeast Asian and European markets.

Since the establishment of the company, it has always adhered to the principle of "customer-centric product quality" and always believes that the customer is the judge of quality. Therefore, our company starts from personnel, equipment, management systems, etc., and pays close attention to all aspects, so that the quality of the company's products stands out among many brands and has won the trust of our customers.

Company profile

1. Factory photo



2. Factory photo

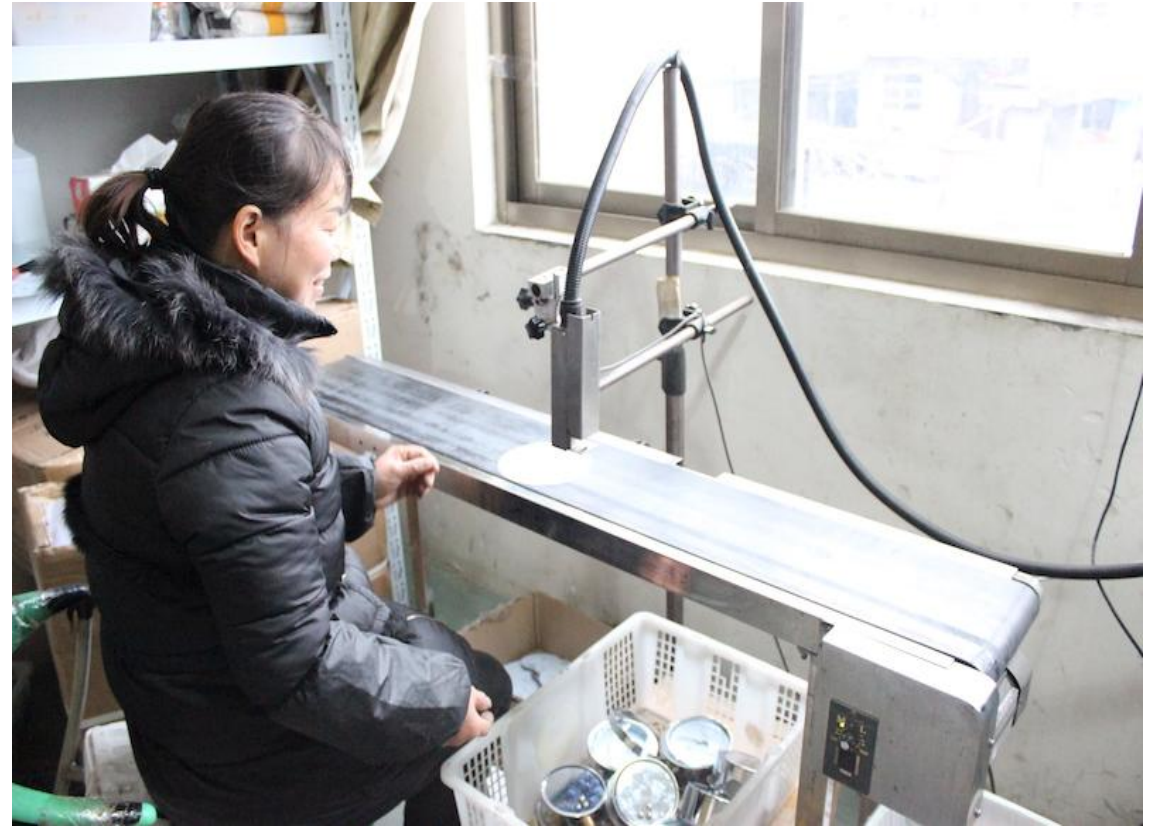


Company profile

1.Factory equipment



2.Factory equipment



Enterprise certificate



Trademark Registration Certificate
Registration period: June 7, 2010 to June 6, 2020



Quality Management System Certification



Certificate for Examination of Measurement Standard
Name of Measurement Standard: Pressure transmitter verification device



Certificate for Examination of Measurement Standard
Name of Measurement Standard: Precision pressure gauge standard device



Enterprise certificate

Anhui Changjiang Institute of Metrology & Measurement
Metrology Institute 910
Metrology station 3411 of the National Defense Science & Technology Industry

CNAS
校准
CNAS L1411

国营九一〇所
(国防科技工业 3411 二级计量站)

校准证书

CALIBRATION CERTIFICATE

证书编号: ZJ49-1503-1329
Certificate No.

委托方: 杭州东亚仪表有限公司
Customer: 杭州东亚仪表有限公司
地址: 浙江省杭州市
Add. of Customer: 浙江省杭州市
样品名称: 温湿度计
Description of Sample: 温湿度计
型号/规格: -30℃~50℃ 20%~100%
Model/Type: -30℃~50℃ 20%~100%
出厂编号: 002
NO.: 002
制造厂商: 明高
Manufacturer: 明高

授权签字人: 陈志
Authorized Signatory: 陈志
发证单位: (盖章)
Issued by (stamp): 潘光杰
Inspector: 潘光杰
校准人: 周维贞
Calibration Operator: 周维贞

校准日期: 2015 年 03 月 06 日
Cal. Date: 2015 Year 03 Month 06 Day

通讯地址 (Add): 杭州市文三路 555 (检测大楼) 邮政编码 (Post Code): 310013
Service address (Add): 杭州市文三路 555 (检测大楼) Post code (Post Code): 310013
服务电话 (Ser Tel): 0571-56830513 传真 (Fax): 0571-56832657
Service phone (Ser Tel): 0571-56830513 Fax (Fax): 0571-56832657
电子信箱 (E-mail): 监督电话 (Sup Tel): 0551-65339567
Supervision phone (Sup Tel): 0551-65339567

第 1 页 共 2 页
Page 1 of 2

Calibration certificate

第 4441916 号

204441916_ZC

商标注册证

IMT

核定使用商品(第 9 类)
空气分析仪器; 气压表; 测量装置; 测量仪器; 压力计; 非医用温度计; 温度指示计; 仪表元件和仪表专用材料; 化学仪器和器具; 电测量仪器 (截止)

注册人 杭州东亚仪表有限公司

注册地址 浙江省富阳市高桥镇长山村

注册有效期限 自公元 2011 年 01 月 14 日 至 2021 年 01 月 13 日止

局长签发 李建昌

中华人民共和国国家工商行政管理总局 商标局

Trademark Registration Certificate
Registration period: Jan 14, 2011 to Jan 13, 2021

中华人民共和国

计量器具型式批准证书

杭州东亚仪表有限公司 (单位)

根据中华人民共和国计量法第十三条和中华人民共和国计量法实施细则有关规定, 对你单位申请型式批准的计量器具新产品经审查合格, 现予批准, 并可使用以下标志和编号:

批准日期: 二〇一一年八月十五日
Approval date: August 15, 2011

批准人签名: 潘光杰

经批准的计量器具新产品(名称、类别、型号):
其技术指标为:

名称	型号	规格	准确度等级
压力变送器	DY20L型	(0-30) kPa至(0-200) kPa	0.5级
压力变送器	DY20X型	(-100-0) kPa至(0-60) MPa	0.5级
压力变送器	DY2088型	(-100-0) kPa至(0-60) MPa	0.5级

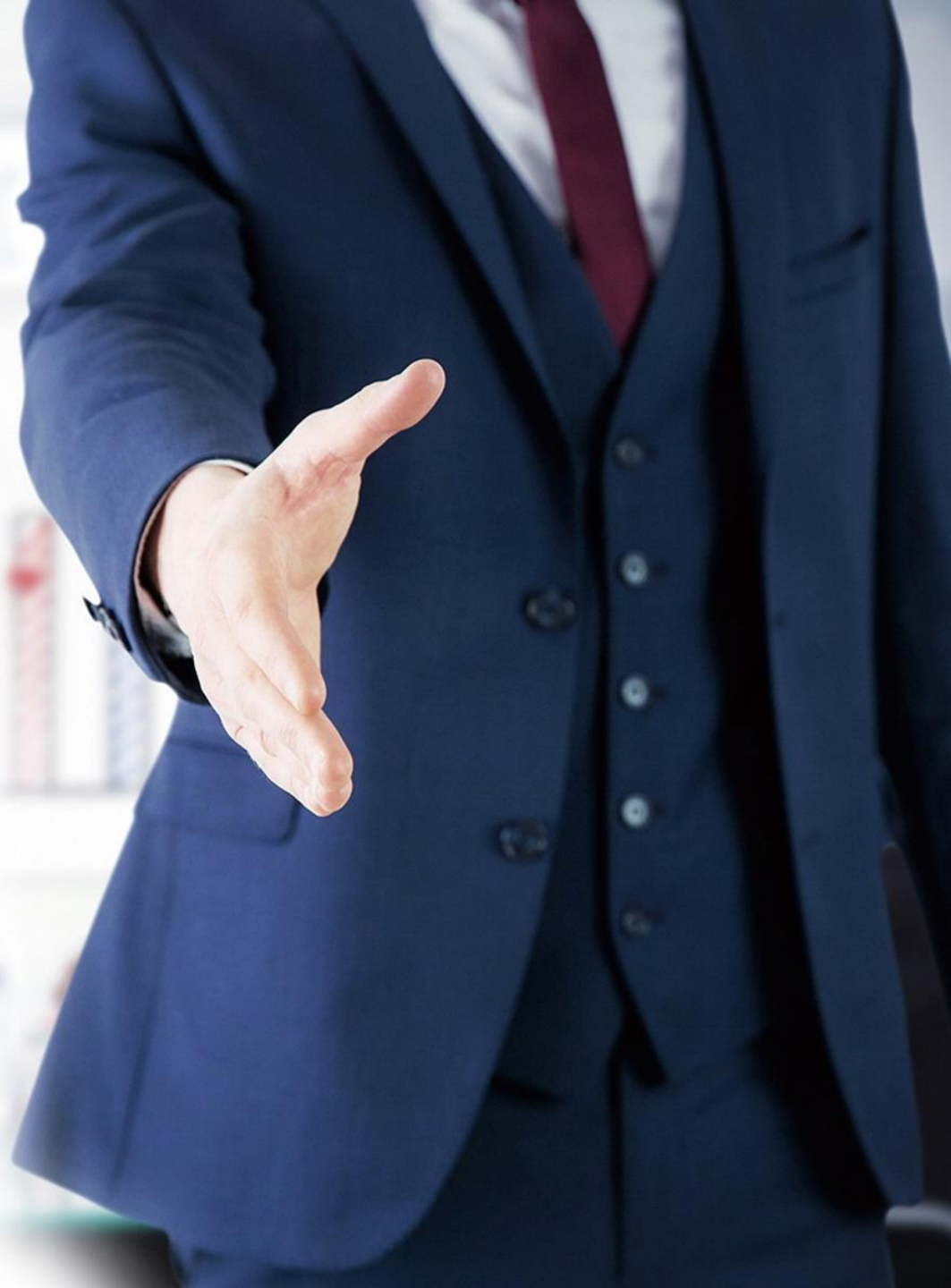
以下空白

PA
2011F349-33

批准部门 (盖章)

Type Approval Certificate for Measuring Instruments
Approval date: August 15, 2011

Pressure gauge



Product Introduction

YNCX series shock-proof electric contact pressure gauge

Product features

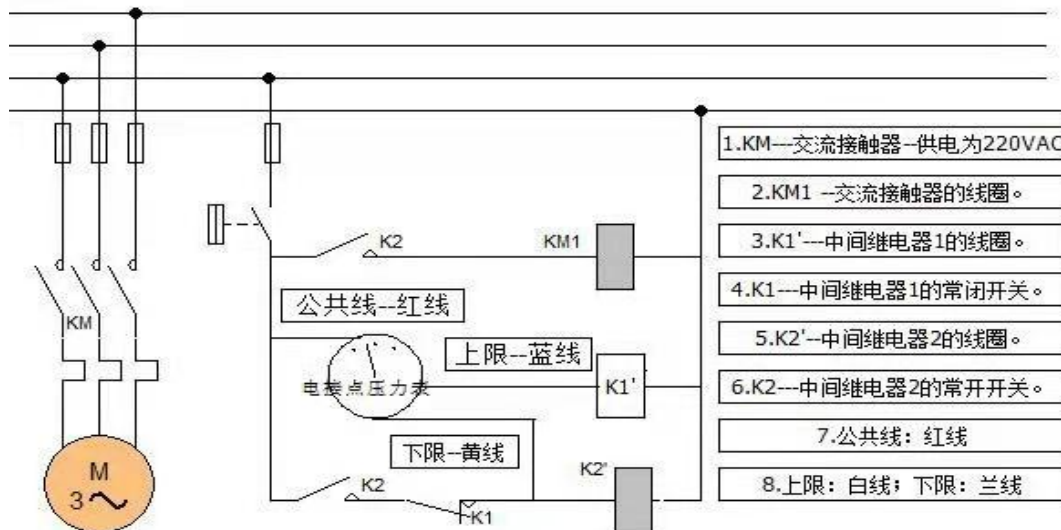
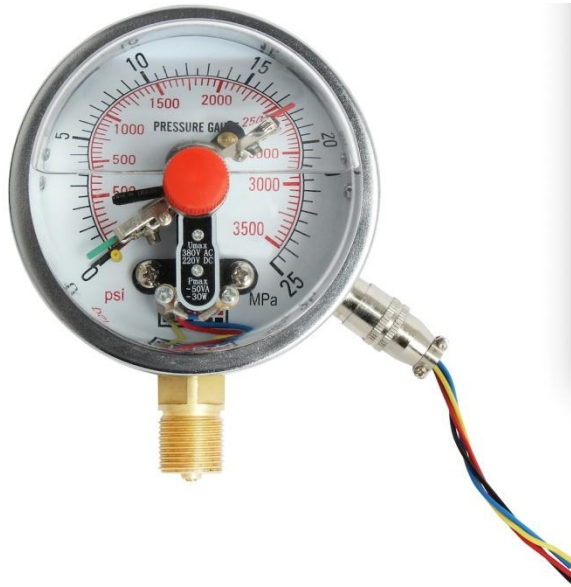
shock-proof electric contact pressure gauge has the incomparable advantages of general magnetic assisted electric contact pressure gauge, it not only has a novel design, reliable structure, good action stability, durable characteristics, but also has the advantages of simple installation, small maintenance, and so on. Therefore, it is widely used in various kinds of pressure occasions with frequent vibration and pulse, completely replacing the imported instrument。

Structure principle

The instrument is composed of the gear transmission mechanism of the pressure guiding system (including joints, bourdon tubes, throttles, etc.), the pointer and dial of the indicator device, and the case (including the watch case, watch cover, watch glass, etc.).The shell is of airtight structure, which can effectively protect the internal leakage of the working fluid.

Measuring range

model	measuring range (MPa)
YNXC-100	0~0.1 0.16 0.25 0.4 0.6
YNXC-100ZT	1.6 2.5 4 6
YNXC-150	10 16 25 40 60 100
YNXC-150ZT	0.5 0.9 1.5 2.4



Product Introduction

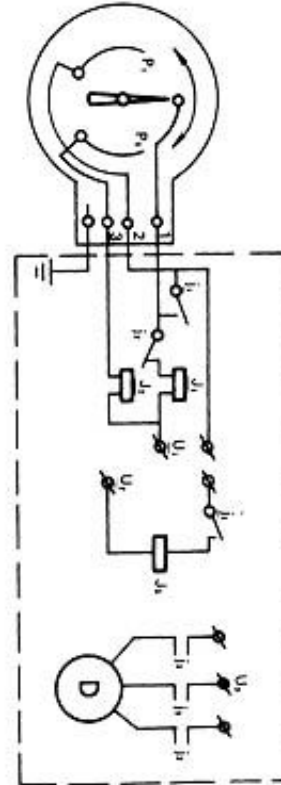
YX series electric contact pressure gauge

Product features

YX series electric contact pressure gauges are suitable for measuring the pressure of fluid media without explosive hazard. Usually, the instrument can be used with corresponding electrical devices (such as relay and contactor) to realize automatic control and alarm of the pressure system under test (control). YX series can be divided into direct type and magnetic assist type.

Structure principle

The instrument is composed of measuring system, indicating device, electric connection device or magnetic assistant electric contact device, case, adjusting device, junction box, etc. The principle is that under the conditions of medium pressure, bourdon tube will show the measured value in the dial by gear wheel equipment. In the meanwhile, the pointer of instrument will make dynamic contact touch or cut with static one (upper limits or lower limits), leading to the cut and turn-on of control system for the purpose of automatic control and alarm.



Measuring range

model	scale range (MPa)	precision grade
YX-100	0~0.1 0.16 0.25 0.4 0.6 11 1.6 2.5 4 6	1.6 2.5
YXC-100	10 16 25 40 60 100 160 250 -0.1~0 -0.1	
YX-150	~0.06 -0.1~0.15 -0.1~0.3 -0.1~0.5 -0.1	
YXC-150	~0.9 -0.1~1.5 -0.1~2.4	
YXCA-150		

Product Introduction

Y-B Stainless steel pressure gauge

Product features

Stainless steel pressure gauges are widely used in petroleum, chemical, chemical fiber, metallurgy, power stations and other industrial sectors that corrosion resistance, vibration resistance requirements are higher, to measure the pressure of various fluid media. The overall structure design is reasonable, the craft is exquisite, has the high measurement accuracy and the lasting stability, therefore can not only provide the export, but also can provide the domestic user in the introduction of foreign advanced technology and equipment of the same kind.

Structure principle

The instrument is composed of gear transmission mechanism, indicator device (pointer and dial) and shell (including case, cover, glass, etc.) of pressure guiding system (including joint, bourdon tube, restrictor, etc.). The shell is air tight structure, which can effectively protect the internal parts from environmental impact and pollution.



Measuring range

D	d0	d1	H1	H2	L	L1	L2	connection thread d
60	76	4.5	≤60	/	14	36	66	M14×1.5; Z 1/4" (NPT)
100	116	4.8	≤100	≤35	20	50	98	M20×1.5; Z 1/2"; Z 1/4" (NPT);
150	165	5.8	≤125	≤60				

model	scale rangeMPa (Hg~Psi)	precision grade
Y-60B-FY-60B-FZY-63B-FY-63B-FZ	0~0.6、1、1.6、2.5、4.6、10、16、25、40、60-0.1~0.5、0.9、1.5、2.4	2.5
Y-100B-FY-100B-FZY-150B-FY-150B-FZY-103B-FY-103B-FZY-153B-FY-153B-FZ	0~0.1、0.16、0.25、0.4、0.6、1、1.6、2.5、4、6、10、16、25、40、60、-0.1~0、0.06、0.15、0.3、0.5、0.9、1.5、2.4 (-30"~0.15、30、60、100、150;0~15、30、60、100、200、300、400、600、800、1000、1500、2000、3000、4000、6000、10000)	1.6

Product Introduction



**Stainless steel pressure gauge made
in imitation of weica Germany**

**The parameters are consistent with the
general stainless steel pressure gauge**

Product Introduction



Measuring range



sealing liquid	Temperature range °C	rate	volume swelling
Glycerin aqueous solution	-5~100	1.27	0.61×10 ⁻³
Propylene glycol	-30~160	1.04	0.70×10 ⁻³
vegetable oil	-5~100	1.93	1.03×10 ⁻³

Y-M Sanitary diaphragm pressure gauge

Product features

Y-M series sanitary diaphragm pressure gauge has the advantages of quick and convenient installation and removal, easy cleaning, not easy pollution, clean and beautiful, safe and reliable. It also meets the requirements of the pharmaceutical production quality specification (GM) and can be widely used in pharmaceutical, food, beverage, dairy, water treatment and other industries.

main technical parameters

Corrosion resistance of diaphragm surface

The corrosion resistance of the diaphragm surface can be ensured by selecting and measuring the material of the diaphragm, flange and sealing ring of the contact part of the medium. Diaphragm material :316, 316L flange material :316, 316L sealing ring material: silicone rubber, Polytetrafluoroethylene.

sealing liquid selection

in order to ensure the reliability and safety of the sanitary diaphragm table according to different USES, select the appropriate sealing liquid.

model		form		Range upper limit (MPa)
Matching shock-proof pressure gauge	Matching stainless steel pressure gauge			
Y-60A-Z/Z/MC	Y-60B/Z/MC	MC	Clamp type	0.6~2.5 (flange1 1/2)
Y-100A-Z/Z/MC	Y-100B/Z/MC			0.4~2.5 (flange2)
Y-100A-Z/Z/MN	Y-100B/Z/MN	MN	Nut type	0.4~2.5
Y-100A-Z/Z/MH	Y-100B/Z/MH	MH	Rectangular flange type (for homogenizing machine)	10~60

Product Introduction

diaphragm pressure gauge

Product features

In order to enlarge the using range of universal pressure gauge, make its can be suitable for measuring the corrosive, high temperature, high viscosity, easy to crystallization, easy to solidification and have solid suspended matter medium pressure, and for some measurement medium can not directly into the universal instrument and easy cleaning to prevent the pressure testing of the occasions where the precipitation, must adopt the diaphragm isolator with universal pressure gauge table to form a system of diaphragm. Diaphragm table is mainly used in petroleum, chemical, pharmaceutical, food, textile and other industrial sectors in the production process of pressure testing.

Structure principle

The diaphragm pressure gauge is a closed system composed of various universal pressure instruments and diaphragm isolators of different structures, filled with sealing fluid. When the pressure of the measured medium acts on the diaphragm, the diaphragm deforms and compresses the sealing fluid of the closed system. Due to the inherent property of the sealing fluid, the elastic element in the pressure meter produces the corresponding elastic deformation-displacement, and the pressure value is displayed by the indicating device. When the stiffness of the diaphragm is small enough, the pressure indicated by the pressure meter is close to the pressure value of the measured medium.



Measuring range

code	Range upper limit (MPa)	Recommended flange standard code	raised face flange dimensions (Mm)						
			D	K	f	f	L	C	B
MF1	4	JIS-10/20K 50A	155	120	100	3	19	18	50
	4	50-1.0/4.0HGJ46	160	125	100	3	19	18	50
	4	ANSI-2B 150LB	152	121	92.1	3	19	18	2"
	4	ANSI-2B 300/100LB	165	127	92.1	3	19	18	2"
	6~10	25-10.0 HGJ47	125	89	50.8	7	20	20	25
	6~10	25-10.0 HGJ47	165	127	92.1	3.5	20	26	50
	16~25	20~25.0 HGJ53	130	89	43	7	22	20	25
MF	4	25-4.0 DIN	115	85	65	3	M12	26	25

尺寸图
图
图
图
图
图
图

Product Introduction

PP Diaphragm pressure gauge



Measuring range



The diaphragm pressure gauge is widely used in printed circuit board equipment and liquid filter special equipment, can also be used in the chemical industry, its special one-in-one forming coated PP shell, its characteristics are not easy to break when rotating and excellent acid and alkali resistance. Pressure range :0-1kg/cm² to 0-10kg/cm²;Range accuracy; Interface standard: standard internal tooth 1/2 p; Diaphragm material :PP resistant to heavy blows; Mirror material: glass mirror; Shell material : P heavy-duty shock-resistant integrated molding; diaphragm material: VTON;

Product features

installation torque bearing capacity: 25N, M (N stands for Newton. M stands for meter); features include liquid filling, pointer is not easy to vibrate, suitable for outlet, filter pressure display and related pipeline waterproof, vibration resistant, closed structure, using internal mechanism of special material and bourdon tube, the service life is durable,PP integrated surface mount, VITON diaphragm and fully enclosed non metal exposed special structure can be fully applied to chemical fluid.

dial diameter	60MM
Measuring range	0~1KG、2KG、3KG、4KG、5KG、7KG、10KG、15KG
mirror	PC mirror or tempered glass
display	double-sided , Single-sided
Shell material	PP engineering plastics, acid and alkali resistance, corrosion resistance, good stability, deformation temperature is 130°C
cover material	PP bezel spinning
bourdon tube material	Phosphor bronze
environment temperature	The maximum temperature during operation is 60 °C (due to the consideration of conduction characteristics), and the ambient temperature is about -20 °C~60 °C
connection thread	1/2 NPT internal teeth
Diaphragm material	Teflon, fluorinated rubber, acid and alkali resistant, corrosion resistant
Precision grade	±2.5%
Scope of application	Used in PCB industry, metal etcher and PCB/LCD cleaning liquid filter pump, corrosion resistant, can measure high viscosity liquid, gas., widely used in chemical industry , chemical machinery. Such as developing machine, cleaning machine, etching machine, medicine liquid filter, etc. Due to the integrated structure, the pressure gauge is not easy to crack and oil leakage phenomenon, and has excellent anti-corrosion characteristics.

Product Introduction

YTZ-150 resistance remote pressure gauge

Product features

The resistance remote pressure gauge is suitable for measuring the pressure of liquids, vapors and gases which do not corrode copper and copper alloys. Because a sliding-line resistance transmitter is set inside the instrument, the measured value can be transmitted to the secondary instrument at the remote point by the electric value, so as to realize centralized detection and remote control. In addition, the instrument can also indicate the pressure on the spot, so as to facilitate on-site process inspection.

Structure principle

The meter consists of a bourdon tube pressure gauge and a sliding-line resistance transmitter. The mechanical part acts on the same principle as the general bourdon tube pressure gauge. Because the resistance transmitter is installed on the gear transmission mechanism, when the sector gear shaft in the gear transmission is deflected, the arm (brush) of the resistance transmitter is also deflected accordingly. The change of the measured pressure value is changed into the change of the resistance value, and then transmitted to the secondary instrument, indicating a corresponding reading value. At the same time, the instrument also indicates the corresponding pressure value.

Main technical parameters

Precision grade : 1.6

Transmitter initial resistance : 3~20Ω

Transmitter full-scale resistance value : 340~400Ω



model	Measuring range
YTZ-150	0~0.1; 0~0.16; 0~0.25; 0~0.4; 0~0.6; 0~1; 0~1.6; 0~2.5; 0~4; 0~6; 0~10; 0~16; 0~25; 0~40
YTZ-100	-0.1~0; -0.1~0.15; -0.1~0.3; -0.1~0.5; -0.1~0.9; -0.1~1.5; -0.1~2.4

Product Introduction

YA-100 150 Ammonia pressure gauge



Product features

The ammonia pressure gauge is mainly used to measure the pressure of liquid, gas or mixture of ammonia in the process of chemical fertilizer production or refrigeration equipment. It can also be used to measure the pressure of non-corrosive, non-crystalline and solidified media such as ordinary carbon steel, austenitic stainless steel, alloy structural steel and tin brazing solder.

Structure principle

The instrument is composed of pressure guiding system (including joint, bourdon tube, etc.), driving mechanism, indicating device and shell. When the measured medium acts on the bourdon tube, the end of the tube will produce corresponding elastic deformation displacement. After the transmission structure is enlarged, the indicating device will indicate the measured pressure on the dial.

Main technical indicators

Precision grade: 2.5; 1.5

Environmental conditions: $-40 \sim 70^{\circ}\text{C}$, relative humidity $\leq 90\%$

Temperature influence: $\leq 0.4\%/10^{\circ}\text{C}$ (high operating temperature $20 \pm 5^{\circ}\text{C}$)

Weight: 0.6kg(YA--100)

0.9kg(YA--150)

Model	Scale range MPa
YA-100 YA-100	0~0.16 0~0.25 0~0.4 0~0.6 0~1 0~1.6 0~2.5 0~4 0~6 -0.1~0.06 -0.1~0.15 -0.1~0.3 -0.1~0.5 -0.1 ~0.9 -0.1~1.5 -0.1~2.4
YA-150	0~100~160~250~400~60

Product Introduction

Y series general pressure gauges

Product features

General pressure gauges are suitable for measuring the pressure of liquids, vapors, gases and other media without explosion risk, crystallization, solidification and corrosion of steel alloys.

Main technical indicators

Model	Y-40Y-40Z	Y-60Y-60ZY-60ZT	Y-100Y-100ZT	Y-150Y-150ZT	Y-200Y-250
Nominal diameter (mm)	φ 40	φ 60	φ 100	φ 150	φ 200 、 φ 250
connection thread	M10 × 1	M14 × 1.5	M20 × 1.5		
	0~10;16;25		0~10;16;25;40;60		0~0.6;1;1.6;2.5;4;6
	-0.1~0	-0.1~0;-0.1-0.06;0.15;0.3;0.5;0.9;1.5;2.4			

Structure principle

Model	D (φ)	d	d1 (φ)	L	d0 (φ)	B	H	d2 (φ)	H1	H2
Y-40	40	M10 × 1	4	10		58	23			8.5
Y-40Z	40	M10 × 1	4	10		44	23			0
Y-60	60	M14 × 1.5	5	14		56	28			10.5
Y-60Z	60	M14 × 1.5	5	14		56	28			0
Y-60ZT	60	M14 × 1.5	5	14	72	56	28	5	24	0
Y-100	100	M20 × 1.5	6	20		90	42			16
Y-100ZT	100	M20 × 1.5	6	20	118	83	43	5.5	25	24
Y-150	150	M20 × 1.5	6	20		116	44			16
Y-150ZT	150	M20 × 1.5	6	20	165	85	45	5.5	27	35
Y-200	200	M20 × 1.5	6	20		140	46			16
Y-250	250	M20 × 1.5	6	20		170	60			



Product Introduction

YE-75 100 150 Capsule pressure gauge

Product features

The capsule pressure gauge is suitable for measuring micro pressure and negative pressure without explosion hazard and corrosion to copper alloy. Gas is widely used in boiler ventilation, gas pipeline and other equipment. The instrument can be installed locally and indicated on site. Ye-75 capsule pressure gauge has the characteristics of small volume and has been exported to Japan and other countries in batch.

Main technical indicators

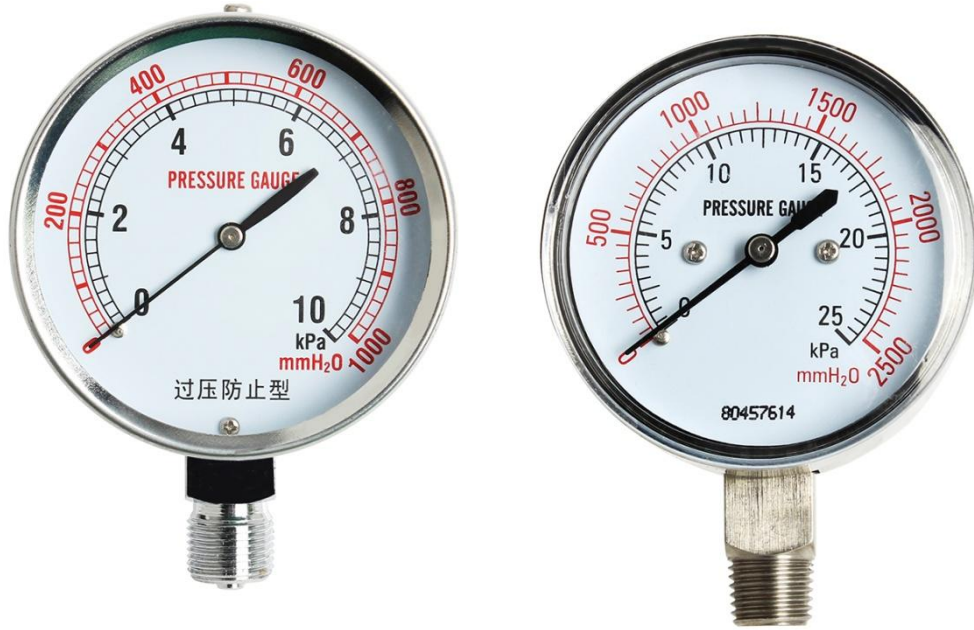


Model	Scale range kPa			Basic error limit of precision grade $\pm\%$	Weight (kg)
	positive pressure	negative pressure	Positive and negative pressure		
YE-60/YE-60Z/YE-60ZTYE-75	0~1.60~2.50	-1.6~0-2.5	-0.8~+0.8-1.2	2.5	0.5
YE-100/YE-100Z/YE-100ZTYE-150/YE-150Z/YE-150ZT	~40~6*0~10*0~16*0~25*0~40*	~0-4~0-6~0-10~0-16~0-25~0-40~0	~+1.2-2~+2-3~+3-5~+5-8~+8-12~+12-20~+20		

Part name	Material brand
Connector	brass HPb59-1
Capsule	tin-bronze QSn6.5-0.1
Gear transmission mechanism	copper HPb59-1
Case, cover	cold-rolled steel plate 20

Product Introduction

Export type capsule pressure gauge



Product features

Various types of micro pressure gauges are exported to all around the world, which are well received by our customers. We can also customize various pressure ranges and appearance micro pressure gauges according to the requirements of our customers

Main technical indicators

Surface diameter	Scale range			Basic error limit of precision grade $\pm\%$
	Positive pressure kpa	Negative pressure kpa	Positive and negative pressure kpa	
YE-63	0~1	-1~0	-0.5~+0.5	2.5
	0~1.6	-1.6~0	-0.8~+0.8	
	0~2.5	-2.5~0	-1.25~+1.25	
YE-75	0~3	-3~0	-2~+2	1.6
	0~4	-4~0	-3~+3	
	0~5	-5~0	-5~+5	
YE-100	0~6	-6~0	-8~+8	1.0
	0~10	-10~0	-12.5~+12.5	
	0~15	-16~0	-20~+20	
YE-150	0~16	-25~0	-30~+30	
	0~20	-30~0	-5~+20	
	0~25	-40~0	-10~+20	
	0~30	-60~0	-10~+30	
	0~40		-10~+50	
	0~50		-20~+40	
	0~60			

Product Introduction

Export type electric contact pressure gauge

Product features

The electric contact pressure gauge is the first one in China. In the international patent application, it has the characteristics of over-voltage protection, non oil filling and anti pulse. The contact can be divided into low voltage and PLC connection control and general voltage control. The contact mode includes: single contact, upper and lower limit double upper limit. Three upper limits, four upper limits.

Manufacturing specifications

Type: vertical type, embedded type

Shell: stainless steel 304 or electroplated steel shell

Mirror: ACRYLIC

bourdon tube: copper or stainless steel 316

Interface material: copper or stainless steel 304.316.14.3/8
1/2PT NPT BSP

Terminal blocks: fixed terminals

Contact type: upper limit (A), lower limit (B)

Accuracy: $\pm 1.0\%$ FS, $\pm 1.6\%$ FS



Product Introduction

YSS series bimetal thermometer series

Product features

It is a field detection instrument suitable for measuring low and medium temperature, and can be used to directly measure the temperature of gas, liquid, and steam. In terms of design principle and structure, the thermometer is waterproof, corrosion-resistant, explosion-proof, vibration resistant, intuitive, easy to read, mercury free and durable. It can replace other shape measuring instruments, and is widely used in petroleum, chemical industry, machinery, ship, power generation, textile, printing and dyeing and other industrial and scientific research departments.



型号命名方法 Model naming method

WSS



安装方式 Installation method

视向 Sighting direction

表面直径 Surface diameter

附加功能 Additional function

Product Introduction

WT series gas-expanded thermometer

Product features

WT series thermometers are divided into three specifications: WTZ, WTQ and WTY, which are used to measure the temperature of liquid, steam or gas in long distance of the production process, for example, for example, to measure corrosive medium, we can choose all stainless steel thermometer.

Main technical indicators



Model	WTZ-280 (WTY)	WTZ-280 (WTY)	WTZ-280 (WTY)	WTZ-280 (WTY)
Nominal diameter(mm)	Φ75, Φ100, Φ150			
Precision grade	1.5 2.5			
Tail length(m)	1-30(Stainless steel anticorrosive type3-10)			
Installed thread	M27×2或M33×2			
Temperature measurement range (°C)	WTZ: -20~60, 0~50, 0~100, 0~120, 20~120, 60~160 WTQ: -80~40, -60~40, 0~160, 0~200, 0~300, 0~500, 0~600			

Product Introduction

Precision pressure gauge



Product features

YB-150 series precision pressure gauges are suitable for verifying common pressure gauges used in industry, and can also be used in industry and laboratories to accurately measure the pressure of gases and liquids without corrosion, crystallization, and precipitation.

Main technical indicators

Measuring range : 0~100,0~160,0~250MPa

Precision grade : $\pm 0.4\%FS$

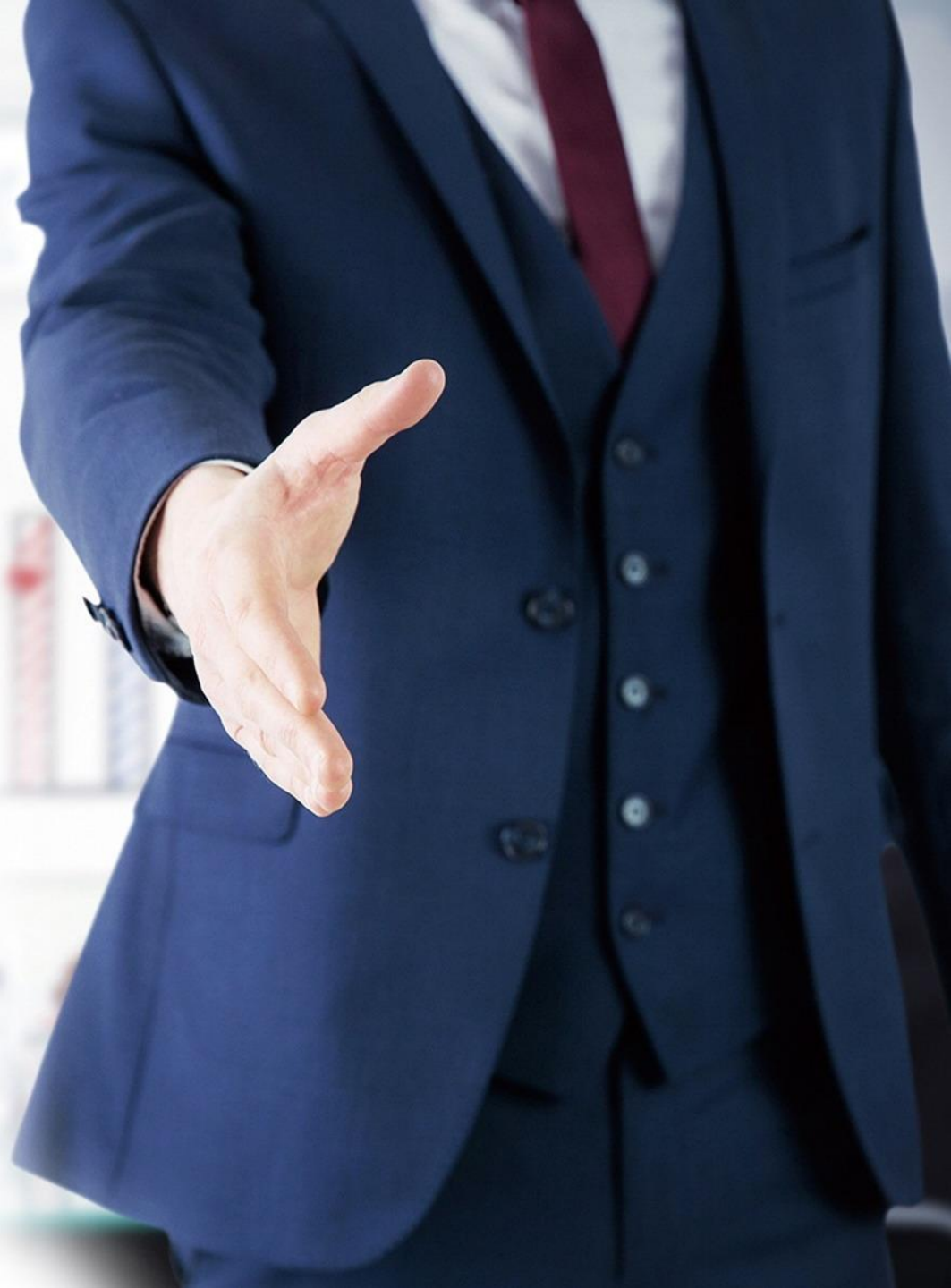
Nominal diameter : $\Phi 150MM$

Connection thread : M20*1.5

Environmental conditions : $10\sim 30^{\circ}C$, relative humidity $\leq 80\%$

Temperature effect: when the temperature of the instrument deviates by $20\pm 3^{\circ}C$, its additional temperature error $\leq 0.4\%/10^{\circ}C$

Pressure transmitters



Product Introduction

DY20X compact pressure transmitter

Product features

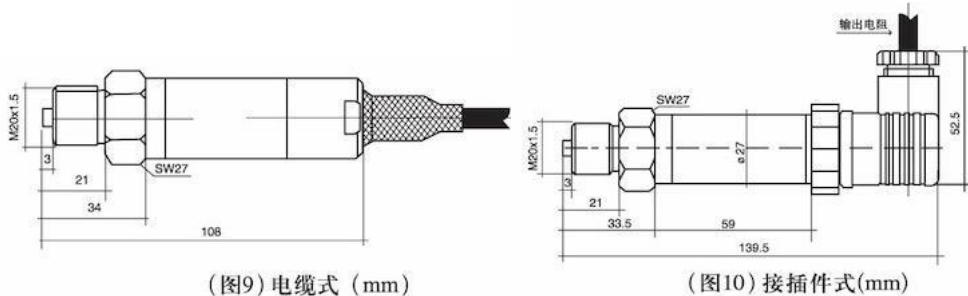
- ◆316L stainless steel diaphragm structure
- ◆with reverse polarity and current limiting protection
- ◆laser resistance temperature compensation
- ◆zero adjustable
- ◆anti - vibration, anti - impact, anti - radio frequency electromagnetic interference
- ◆strong overload and anti-interference ability, economical, practical and stable
- ◆warranty period: 12 months

performance parameter

Measured medium	Gas, liquid, oil and other medium compatible with 316
Pressure type	Gauge pressure, absolute pressure, seal pressure, negative pressure
Measured range	- 0.1---100MPa
Precision grade	0.1、0.25、0.5
Overload ability	Twice the range
Long-term stability	<0.20%FS/year
Power supply	24VDC
Output signal	(4~20)mA(two/three wire system),(0~10/20)mA,(0~5V),(1~5V),(0~10)V
Display mode	Optional digital display
Working temperature	- 40~80°C
Compensation temperature	- 20~70°C
Process connection	M20×1.5 external thread or user specified
Protection grade	IP65



Overall dimensions



(图9) 电缆式 (mm)

(图10) 接插件式(mm)

The cable type(mm)

The connector type(mm)

Product Introduction

DY2088/DY2088-M3/M4/M5
Economical pressure transmitter



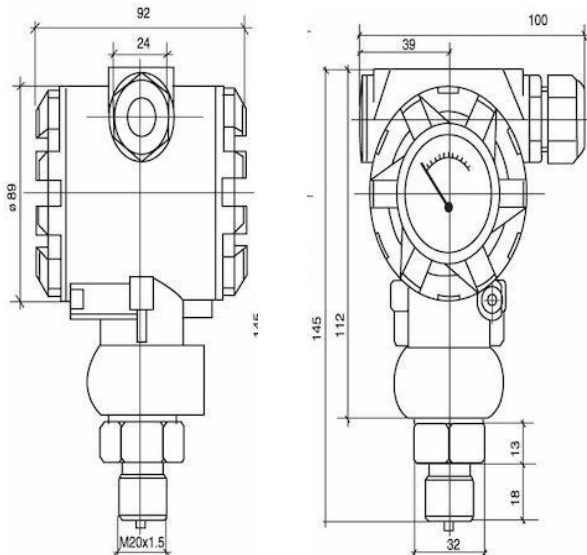
Product features

- ◆ 316L stainless steel diaphragm structure
- ◆ with reverse polarity and current limiting protection
- ◆ laser resistance temperature compensation
- ◆ zero adjustable
- ◆ anti - vibration, anti - impact, anti - radio frequency electromagnetic interference
- ◆ strong overload and anti-interference ability, economical, practical and stable
- ◆ warranty period: 12 months

performance parameter

Measured medium	Gas, liquid, oil and other medium compatible with 316
Pressure type	Gauge pressure, absolute pressure, seal pressure, negative pressure
Measured range	- 0.1---100MPa
Precision grade	0.1、0.25、0.5
Overload ability	Twice the range
Long-term stability	<0.20%FS/year
Power supply	24VDC
Output signal	(4~20)mA(two/three wire system),(0~10/20)mA,(0~5)V,(1~5)V,(0~10)V
Display mode	Linear pointer meter or optional digital display
Calibration	Calibrate the instrument by adjusting the zero and range potentiometer
Working temperature	- 40~80°C
Compensation temperature	- 20~70°C
Process connection	M20×1.5 external thread or user specified
Protection grade	IP65
The shell material	Aluminum alloy

Overall dimensions

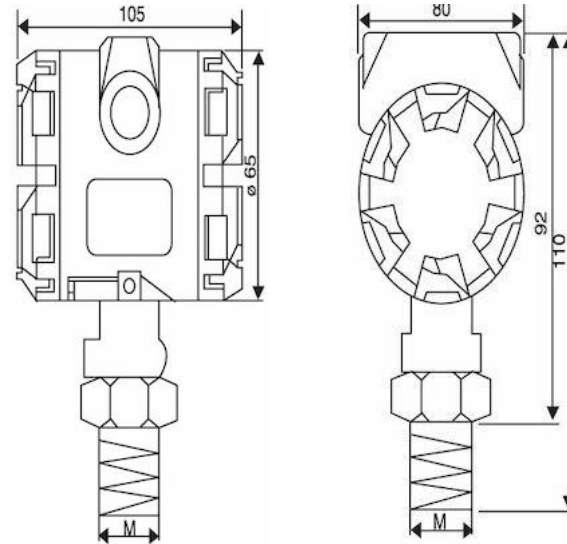


Product Introduction

DY20F Sanitary pressure transmitter



Overall dimensions



Product features

Food, beverage, medicine, health, paper and other health industry

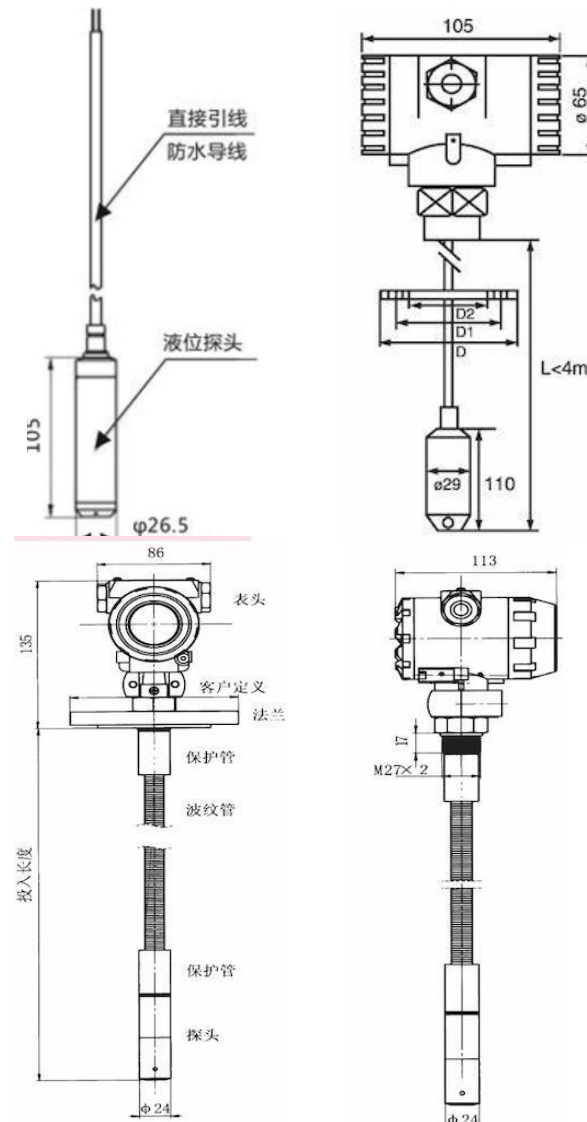
performance parameter

- clean planar diaphragm, in line with the international health standard 3A.
- range: 0-5kpa 35MPa
- power supply: 15-36vdc
- temperature drift :0.02%FS/°C
- accuracy: 0.25%
- Shell protection: IP65
- Electrical connection: cable type \ Streetman connector 2088 shell \ waterproof box type optional
- Temperature: the electronic circuit board works at -40 ~ 85°C; sensitive components work at -40 ~ 104°C; storage temperature -40 ~ 85°C; with digital display -25 ~ 65°C (normal operation); -40 ~ 85 °C(no damage)
- relative humidity: 0 ~ 95%
- stability: + 0.25% / 6 months of maximum range
- vibration effect: in any axial direction, the frequency is 200Hz, and the error is + 0.05% /g of the maximum range
- Load influence: As long as the voltage of the input transmitter is higher than 12V, there is no load influence in the load working area.
- Influence of installation position: The maximum zero error can be no more than 0.25kPa. This error can be eliminated by correction and has no effect on the measuring range: the measurement body has no effect on the rotation of the flange.

Product Introduction

DY20L/DY20LB/DY20LG Input liquid level transmitter

Overall dimensions



Product features

- ◆ adopt advanced circuit processing technology, with stable performance and high sensitivity;
- ◆ various ranges, up to 200m (water column pressure) ;
- ◆ 316L stainless steel diaphragm, suitable for a variety of measured media ;
- ◆ flexible configuration, according to the need to choose different configuration;
- ◆ integral and split styles are optional;
- ◆ Reverse polarity and overvoltage protection; anti-shock and anti-lightning design;
- ◆ Laser resistance temperature compensation, zero point and range can be adjusted on site;
- ◆ Wide range anti-corrosion, suitable for various media;
- ◆ Strong overload and anti-interference ability and stable performance.

performance parameter

Form and scope of measurement	0~1~200mH ₂ O
Safe overload	2 times full range pressure
Working temperature	- 20~80°C
Temperature compensation	- 10~70°C
storage temperature	- 40~80°C
output signal	(4~20)mA
power supply	18~30VDC(Nominal Voltage24VDC0
Load(Ω)	Current output type $<(U-18V)/0.02A$
Shell material	stainless steel
O-ring	fluorine rubber
diaphragm	316 L stainless steel
cable	Special waterproof and breathable cable
protection class	IP68(pressure sensor part) Ip65(junction box transmitter part)



Picture attached next page

Product Introduction

Input liquid level transmitter

High temperature type



Anti-corrosion type



Product Introduction

DY600/DY600-EX Precision digital pressure gauge



Product features and parameters

- Big screen; Large screen LCD display, intuitive and clear reading, adapt to the ambient temperature wide.
- High precision; advanced microprocessor technology, imported measurement and control chip, stable performance and high precision.
- Low power consumption; Ultra-low power intelligent control.
- Anti-corrosion; Overall stainless steel sealing structure, suitable for corrosive medium environment.
- Vibration resistance: anti-vibration treatment of devices, fastening assembly, normal use in vibration places:
- Measuring range: 0- 2KPA~ 100MPa
- Overvoltage limit: 1.5 times of full scale
- Accuracy level; 0.1, 0.3, 0.5
- Display (LCD)
- operating voltage: battery power. Battery life :1 year
- Suitable medium: liquid and gas compatible with ceramic and stainless steel
- medium temperature: - 40~85°C; Ambient temperature: -20~ 60°C
- long-term stability $\leq 0.2\%$ FS/ year
- installation thread: M20X 1.5(special installation required by user)

Product Introduction

DY100k/DY100K-ZT/DY801K/DY805K
Intelligent digital pressure controller



Product features

- ◆ direct input of pressure signal, without additional pressure sensor / transmitter, integrating pressure measurement / display / transmission / communication / control functions:
- ◆ full digital measurement, software setting control, reliable measurement and stable display
- ◆ it is easy to install, and can directly replace the user's original ordinary pressure gauge or electric contact pressure gauge, with intuitive and clear display.

performance parameter

- ◆ Input type: Direct input of pressure signal from diffused silicon sensor
- ◆ Output mode: analog output: (4 ~ 20) m DC (load resistance \leq <5002); 0 ~ 20mADC; (1 ~ 5) VDC (output resistance \leq 2500); 0 ~ 5V DC (output resistance \leq 2500) Switch output relay control output: 0 / OFF (with return difference)
- ◆ Contact capacity: AC220V / 3A;
- ◆ Measuring range: -0.1-60MPa
- ◆ measurement accuracy: $\pm 0.2\%$ FS or $\pm 0.5\%$ FS
- ◆ display range: -1999~9999
- ◆ Control/alarm: the upper limit, lower limit, double upper and double lower limit control / alarm output can be selected
- ◆ Power supply: AC and DC, 220V.AC, 24V.DC power consumption \leq 3W.
- ◆ Temperature drift: $\leq 0.02\%$ FS / °C.
- ◆ Operating environment: 0-70C; $\leq 85\%$ RH



Product Introduction

DY20W/DY20C Micro differential pressure, wind pressure transmitter

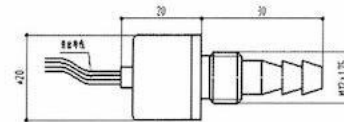
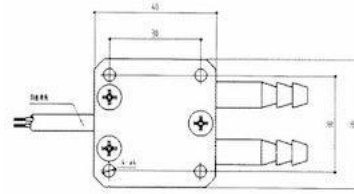
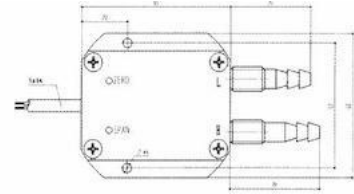
Product features

- ◆ with reverse polarity and current limiting protection
- ◆ Temperature compensation
- ◆ The zero position can be adjusted
- ◆ anti - vibration, anti - impact, anti - radio frequency electromagnetic interference
- ◆ strong overload and anti-interference ability, economic, practical and stable advantages
- ◆ warranty period: 12 months

performance parameter

Measuring medium	Dry and non-corrosive gas
Pressure type	differential pressure
measuring range	0-1~600KPa
Precision grade	0.1、0.25、0.5
Long-term stability	<0.25%FS/year
Power supply	15~36VDC(calibrated voltage24VDC)
The output signal	4~20mA(two-wire system),1-5VDC,0~10mA
Compensation of temperature	0~50°C
Medium temperature	(-20~80)°C
Process connection	Gas nozzle thread or user specified

Overall dimensions



Product Introduction

DY3351 Pressure/differential pressure transmitter

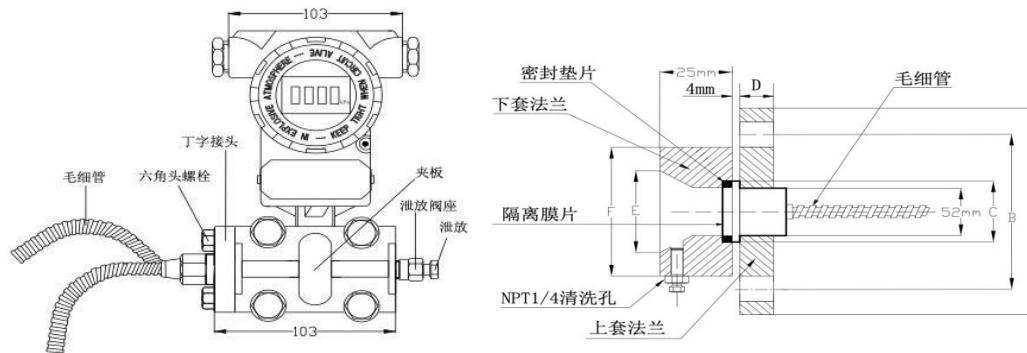
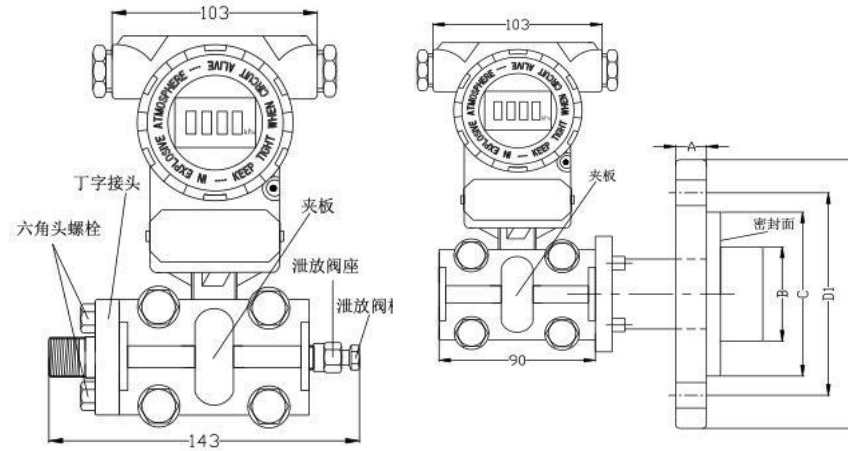
Overall dimensions

Product features

- Super measuring performance for pressure, differential pressure, liquid level and flow measurement
- High precision: digital precision + (-) 0.05%; analog precision + (-) 0.5% + (-) 0.1% F.S
- the range and zero point are continuously adjustable outside, and the range ratio is 100:1
- positive migration up to 500%, negative migration up to 600%
- Good stability performance, stability: 0.25% for 60 months
- diaphragm material in contact with medium is optional; low pressure cast aluminum alloy shell
- Miniaturized (2.4kg) all stainless steel flange, easy to install
- process connection is compatible with other products to achieve the best measurement
- Remote control supports upgrades to fieldbus and fieldcontrol-based technologies

performance parameter

Attached on the next page



Product Introduction

performance parameter



- object of use: liquid, gas and steam
- power supply voltage: 15-36v DC, standard value 24VDC:
- output signal: 4 ~ 20mADC;
- ambient temperature: - 25-70°C (general transmitter), - 15-70 °C(with field indicator)
- measurement temperature: - 40-104 °C, flange filled with silicone oil - 40-104 °C, filled with high temperature silicone oil 15-315 °C
- storage temperature: - 40 ~ 100 °C;
- relative temperature: 0-100% RH
- Protection grade: IIIBT4, IallICT5;
- power influence: <+ 0.005% / V of the output range;
- vibration effect: vibration of 200Hz in any direction will cause an error of 0.05% / g (micro differential pressure is 0.25% / g) of the maximum range
- installation position influence: when the working diaphragm is not installed vertically, the zero error of no more than 0.24Pa may be generated. The error can be eliminated by adjusting the zero position and has no impact on the range.
- Stability: within six months do not exceed the accuracy of the transmitter;
- indicator; linear indication 0-100%; 5-1 / 2-digit LCD display; range and zero position: external is continuously adjustable;
- positive and negative migration: the maximum positive migration is 500%, the maximum negative migration is 600%
- material diaphragm: 316L stainless steel, Hastelloy-C, Monel alloy, tantalum
- Exhaust / drain valve: 316L stainless steel, Hastelloy-C, Monel alloy
- flange and connector: 316L stainless steel, Hastelloy-C, Monel alloy
- "O" ring: fluorine rubber
- Filling liquid: silicone oil, passion oil
- Bolt: 316L stainless steel
- Electronic housing: low copper aluminum alloy

Product Introduction

DY20T-C3/m3/m4 Integrated temperature transmitter for display and loosening



Product features

- The signal is accurate and remote transmission (maximum 1000 meters)
- High precision, anti-interference, good long-term stability, maintenance-free
- Transmitter can display measurement on site
- Range: -200C ~ 1600C;
- Conventional accuracy: $\pm 0.25\%$

performance parameter

- Resistance temperature measurement range: <Pt100> -200 ~ 450C; <Cu50>--50 ~ 150C
- Thermocouple temperature measurement range <K> 0C- 1200C; <S> 0C-1600C <E> 0C- 800C; 0C-1800C
- Measurement accuracy: <thermal resistance> + 0.25%; soil 0.5%; <thermocouple> $\pm 0.75\%$
- Output signal: 4-20mA
- Temperature drift: soil 0.025% / °C; time drift: less than 0.5% per year
- Ambient temperature: -10 ~ 85°C
- Power supply voltage: 24VDC $\pm 10\%$
- Load capacity: 0-500
- Display range: -1999 ~ 1999
- Protection grade: IP65
- Explosion-proof grade: HII BT6
- Material of protective tube: icr8v91 or ceramic or corundum tube



Product Introduction

Digital thermometer

Product features

The local temperature display instrument is the field display instrument powered by battery, It is a new type of intelligent instrument developed for testing that cannot be connected to an external power supply on site; It adopts the long-term power supply method of lithium battery, no external power supply is required, and it is convenient to install and use. Its design idea is based on the excellent output characteristics of PT100 in temperature measurement, and uses single-chip technology to process and control it to achieve low power consumption, high precision, digital Intelligent. It overcomes the shortcomings of low precision of pointer table and large error of visual value, especially in vibration occasions, where pointer and transmission mechanism are easily damaged.

performance parameter

1. Dial diameter: Φ 100;
2. Measuring range: $-100 \sim 600^{\circ}\text{C}$ (according to order range)
3. Accuracy: 0.2%/FS
4. Display mode: 5-bit LCD digital dynamic display;
5. Protection level: IP65;
6. Operating conditions: ambient temperature $-20 \sim 60^{\circ}\text{C}$, air humidity $\leq 85\% \text{RH}$;
7. Power source: 3.6v lithium battery with continuous working ≥ 2 years;
8. Probe length: customized





THANK YOU!

Quality is above all,
detail decides success or failure!