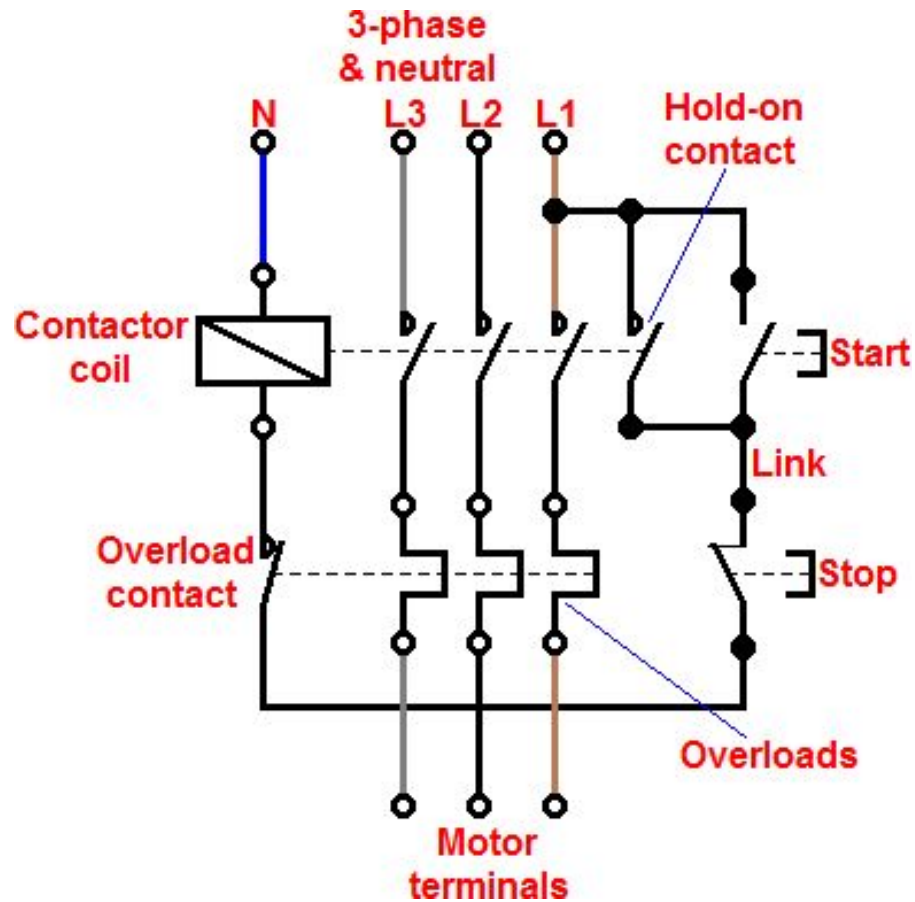


Unit 302: Principles of electrical science

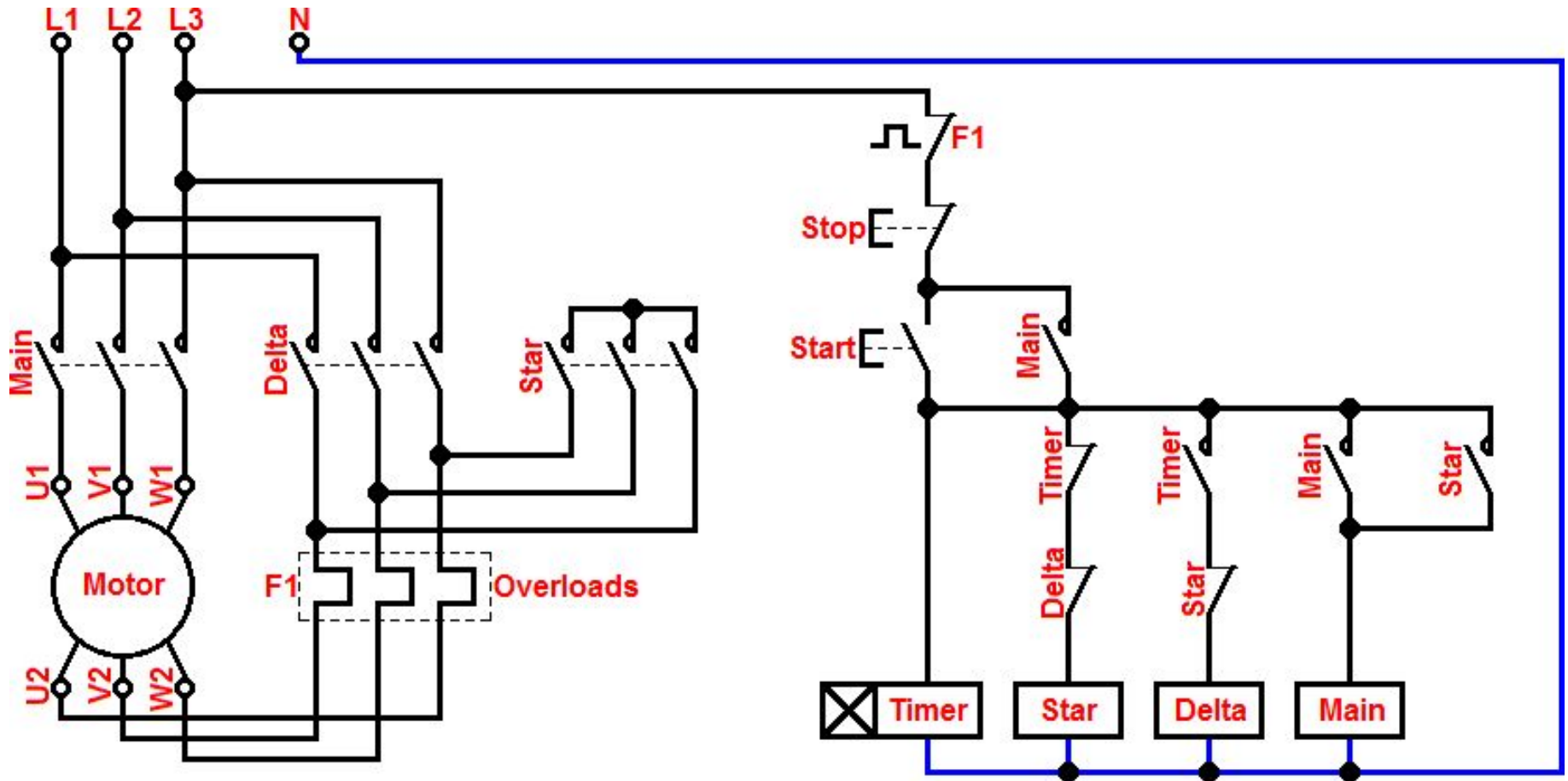
Motor starting



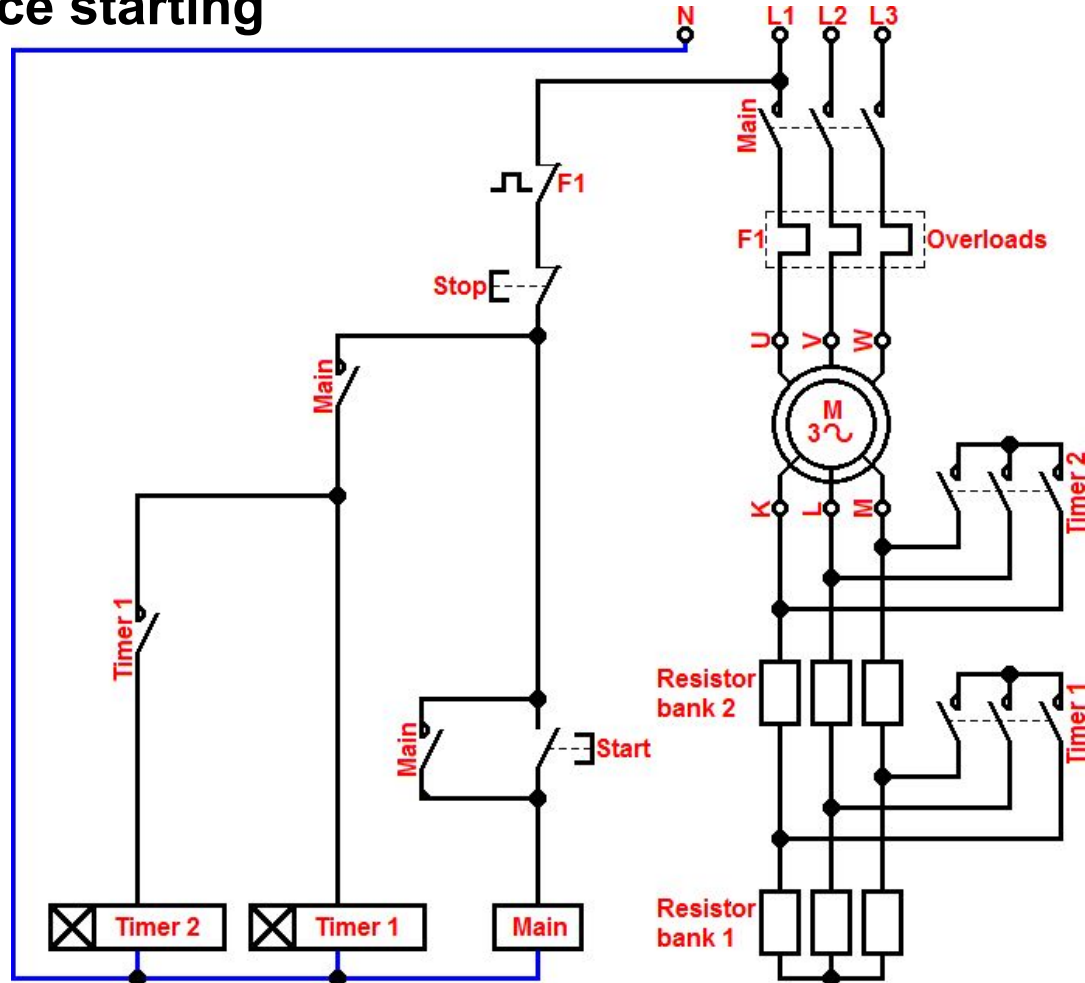
Direct-on-line (DOL) starting



Star-delta starting



Rotor resistance starting



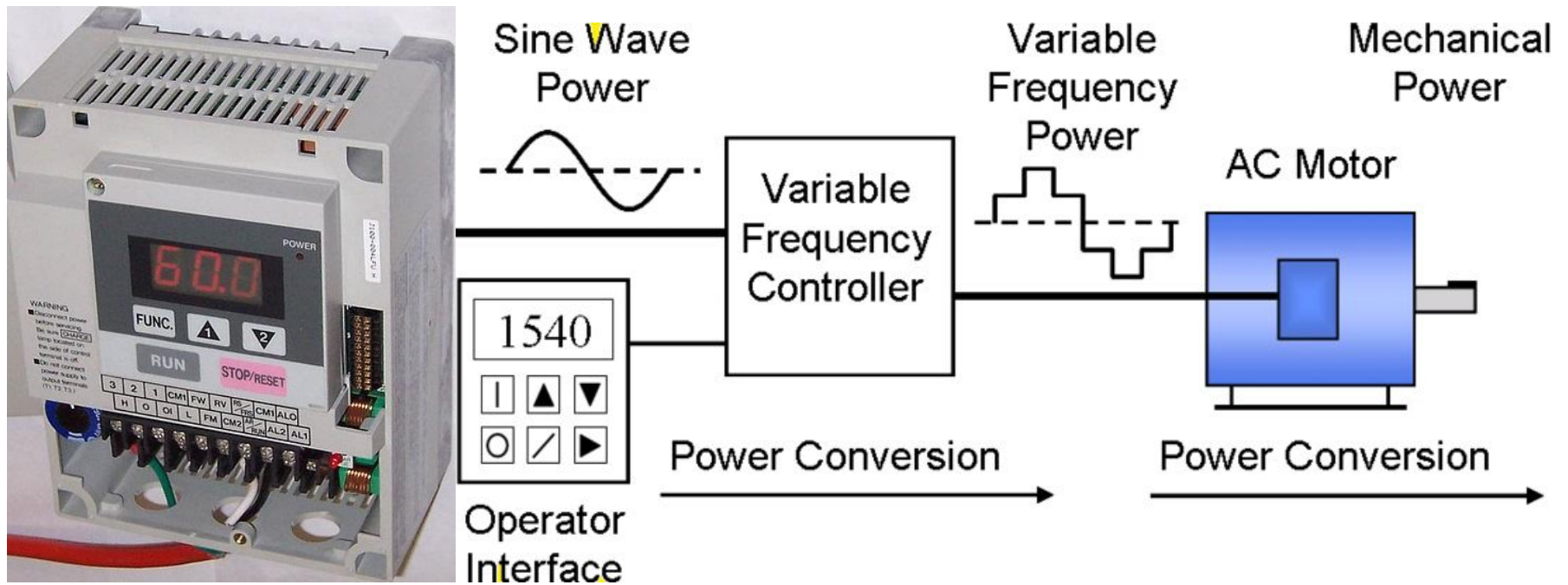
Soft start

Some of the benefits:

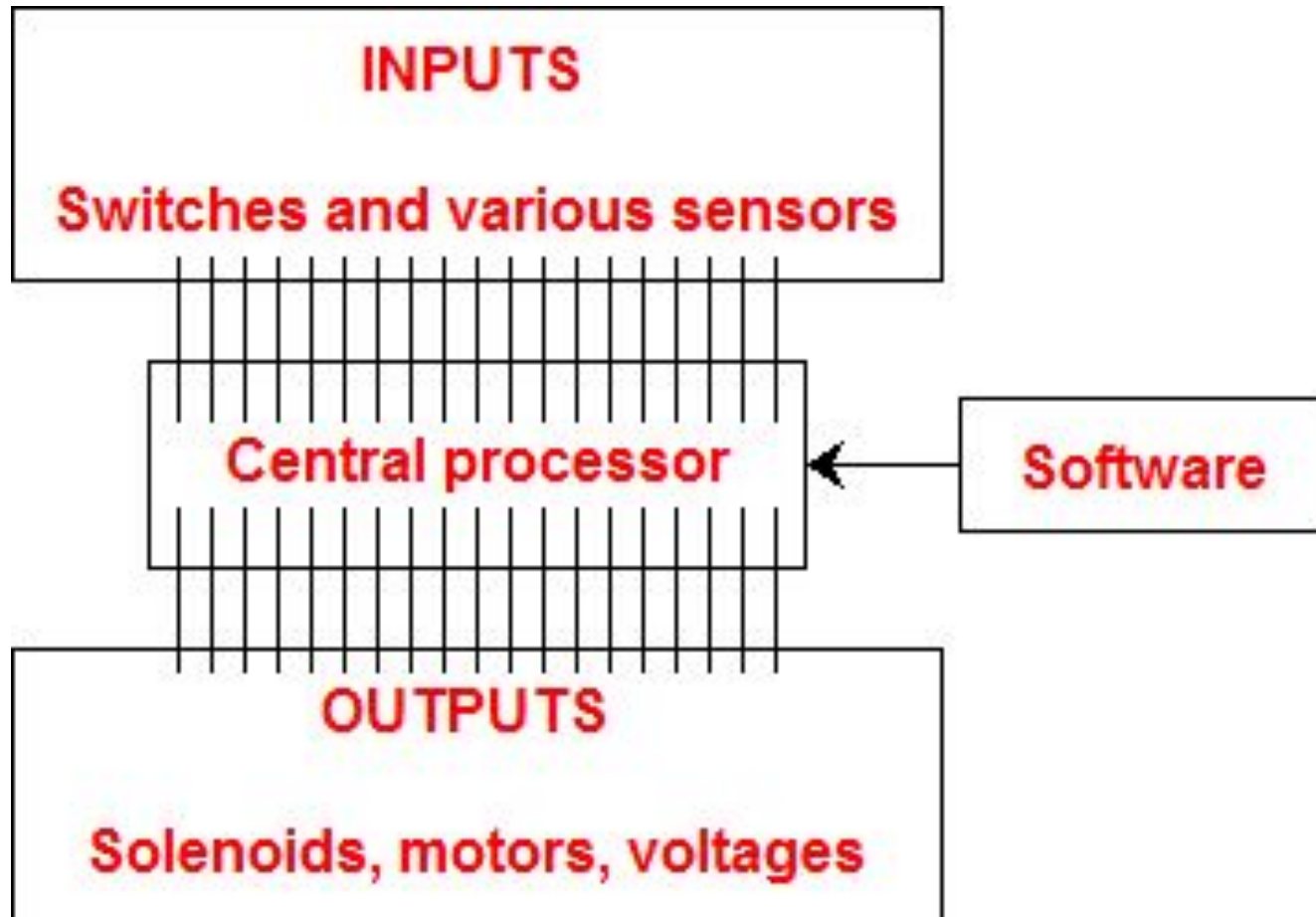
- three conductors to the motor
- variable starting torque
- no current peak
- no torque peaks
- one simple switching device
- optional: guided soft stop, protective functions, etc
- zero maintenance



Variable frequency drives (VFD)



Programmable Logic Controllers (PLC)



Any questions?