

FIG 701

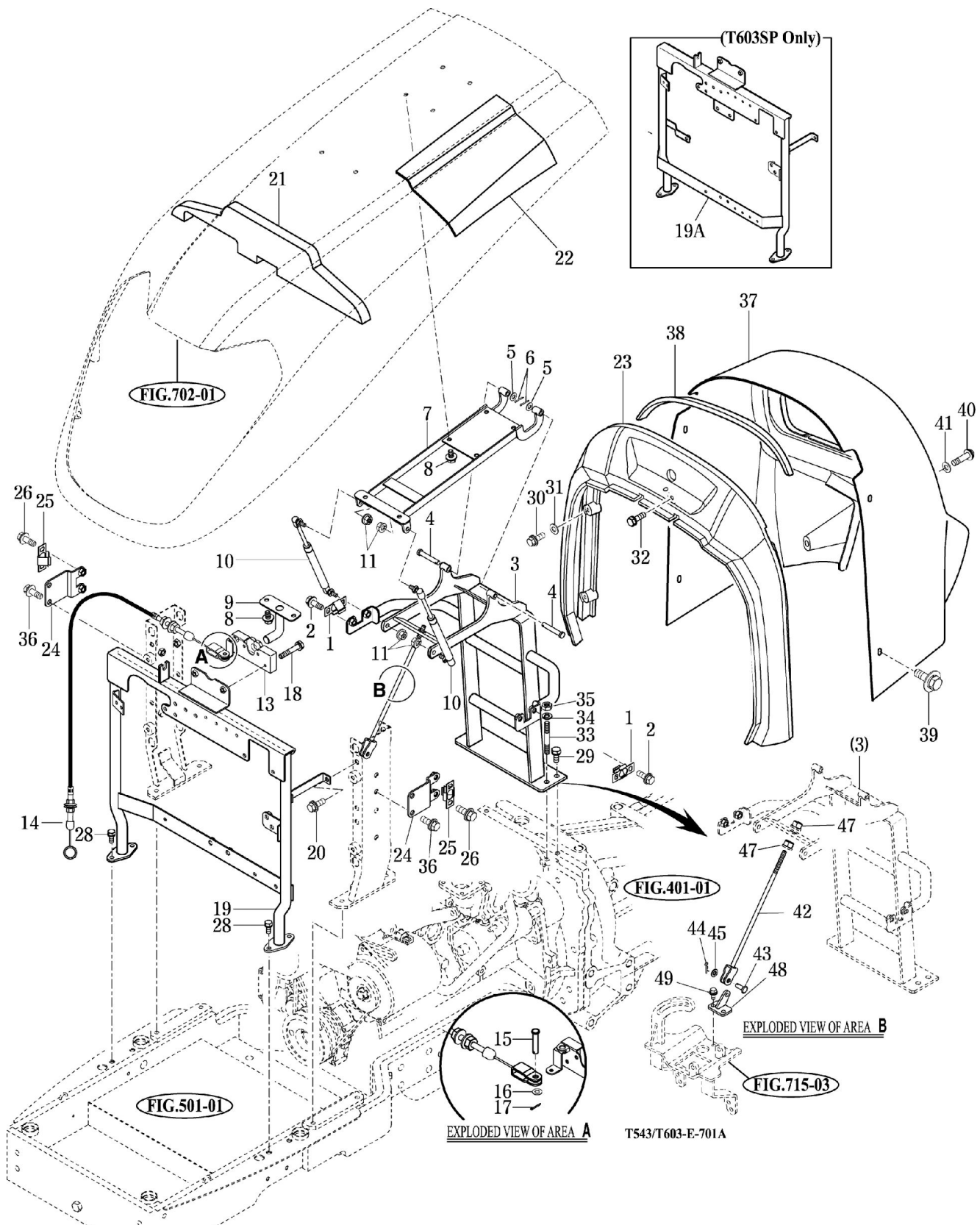
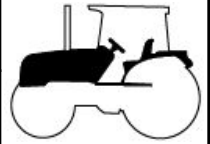
BONNET (1)

T543/T603

P1

Year / Month

2008 / 08



T543/T603-E-701A

NOTE

FIG 701

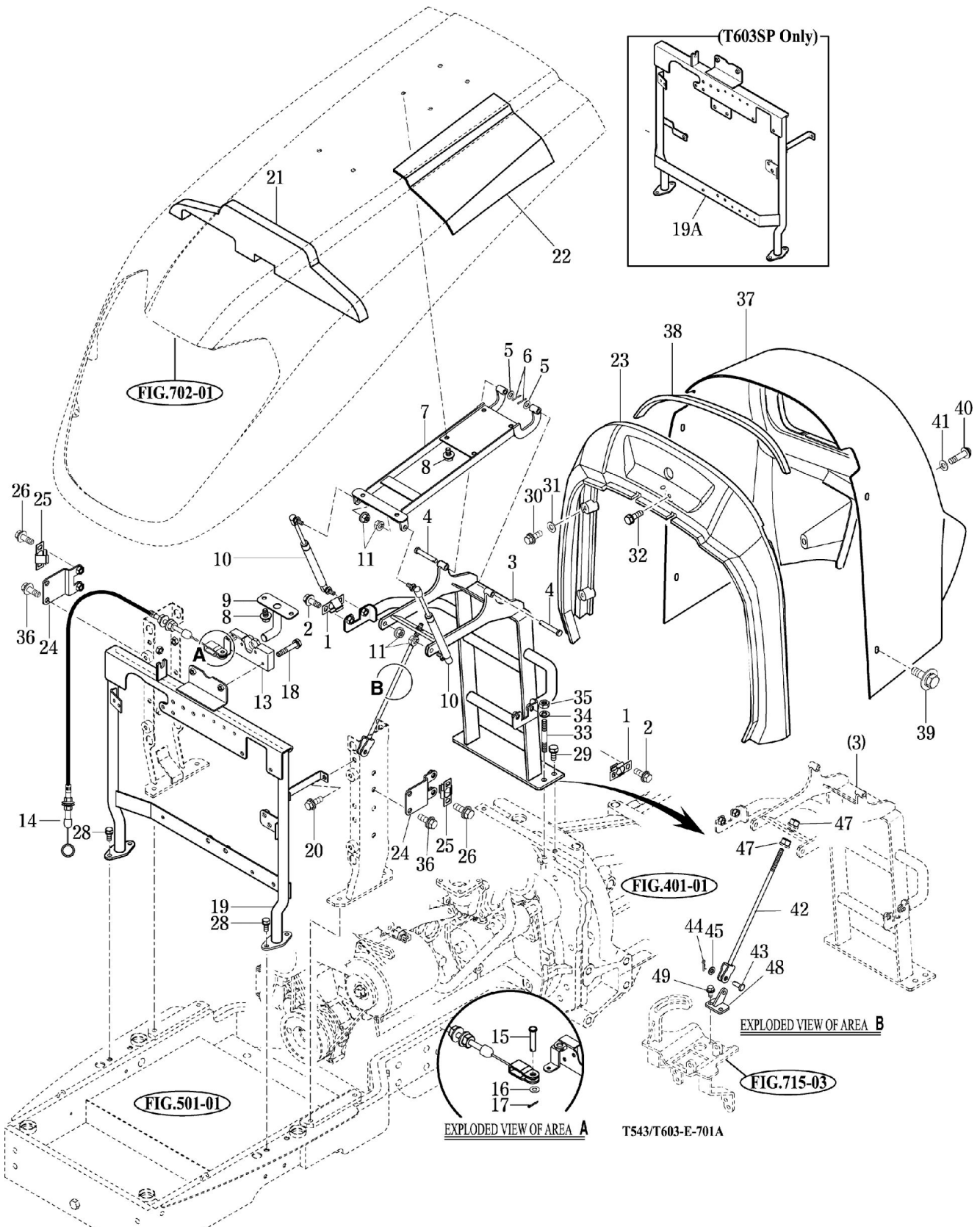
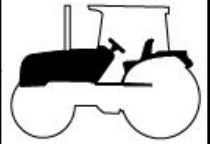
BONNET (1)

T543/T603

P2

Year / Month

2008 / 08



T543/T603-E-701A

NOTE

FIG 702

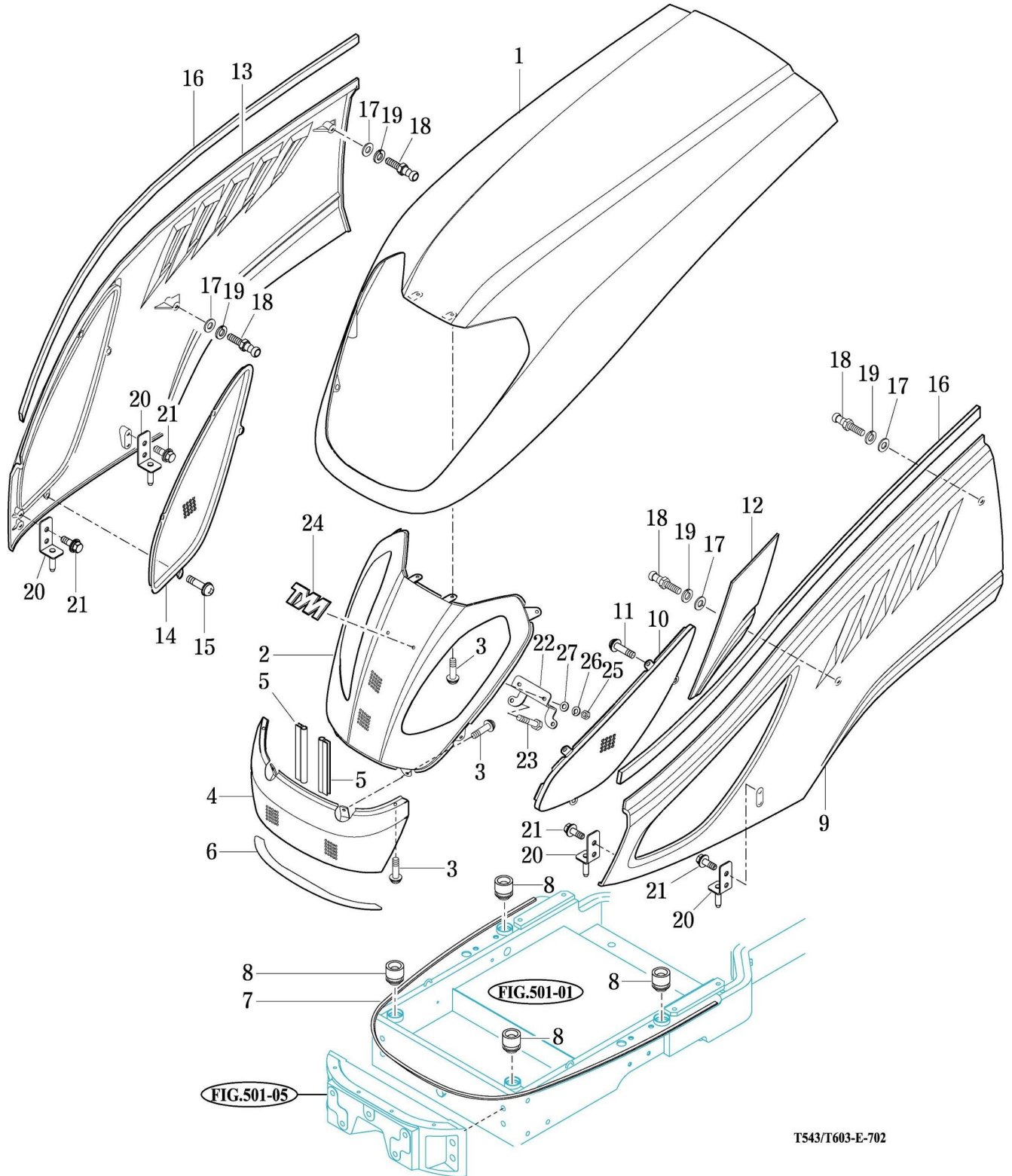
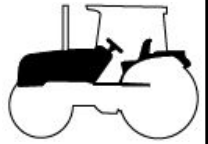
BONNET (2)

T543/T603

P1

Year / Month

2008 / 08



T543/T603-E-702

NOTE

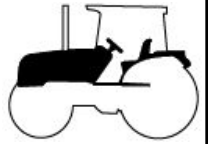
FIG 704

LEVER COVER & STEP

P1

Year / Month

2008 / 08



T543/T603

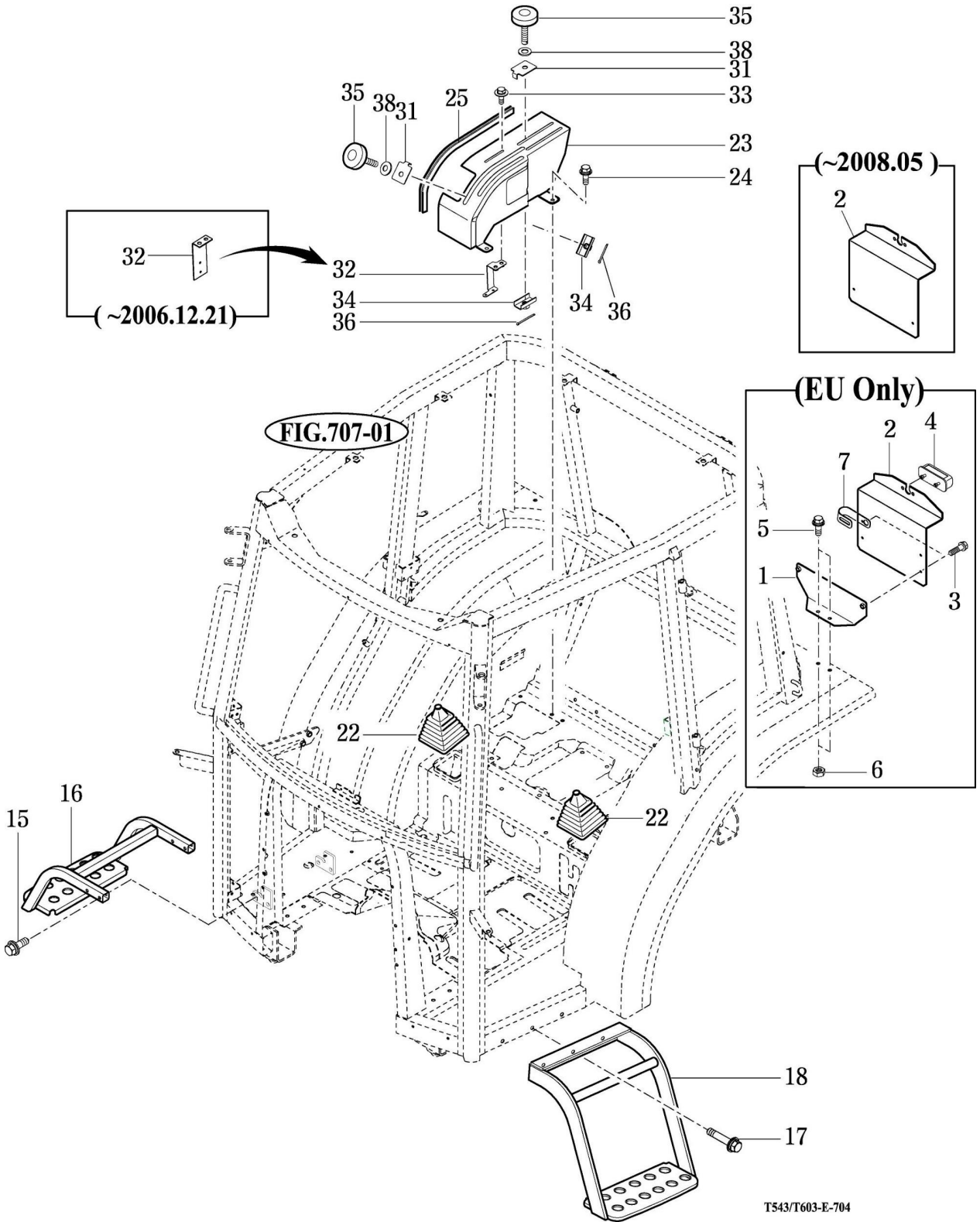


FIG.707-01

T543/T603-E-704

NOTE

FIG 705

FRONT & REAR MOUNTING

T543/T603

P1

Year / Month

2008 / 08

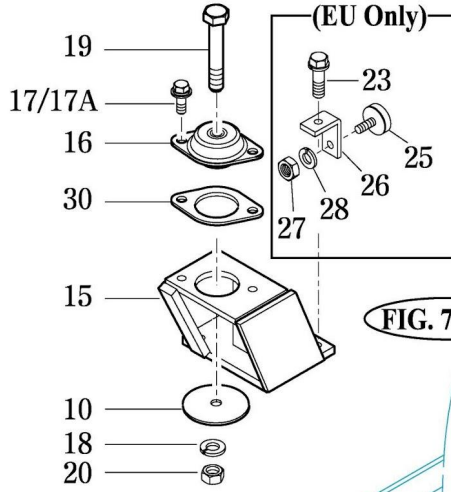
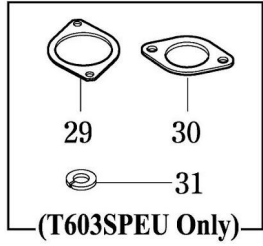
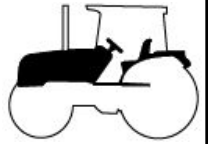


FIG. 707-01

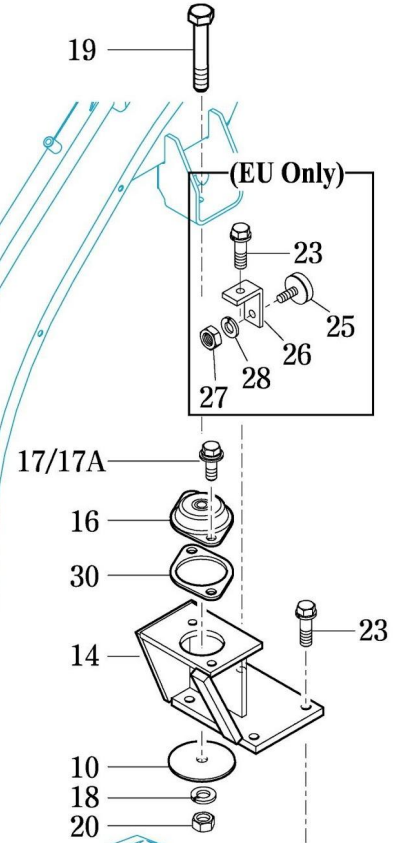


FIG. 418-01

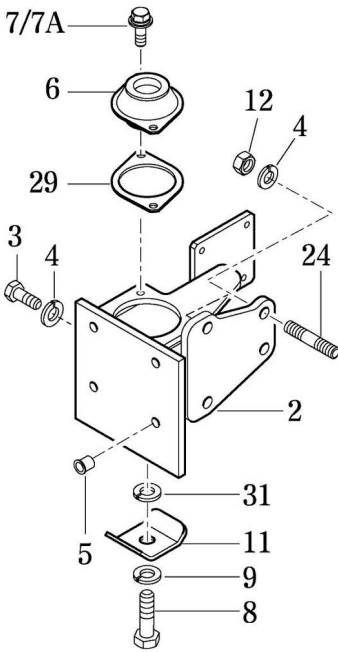
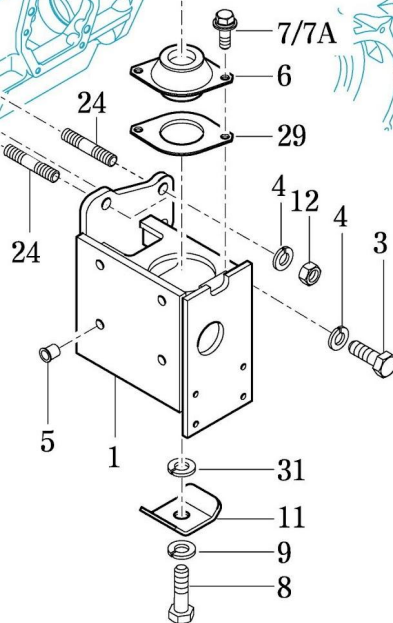


FIG. 401-01



T543/T603-E-705

NOTE

FIG 706

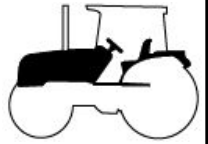
FLOOR & SEAT

T543/T603

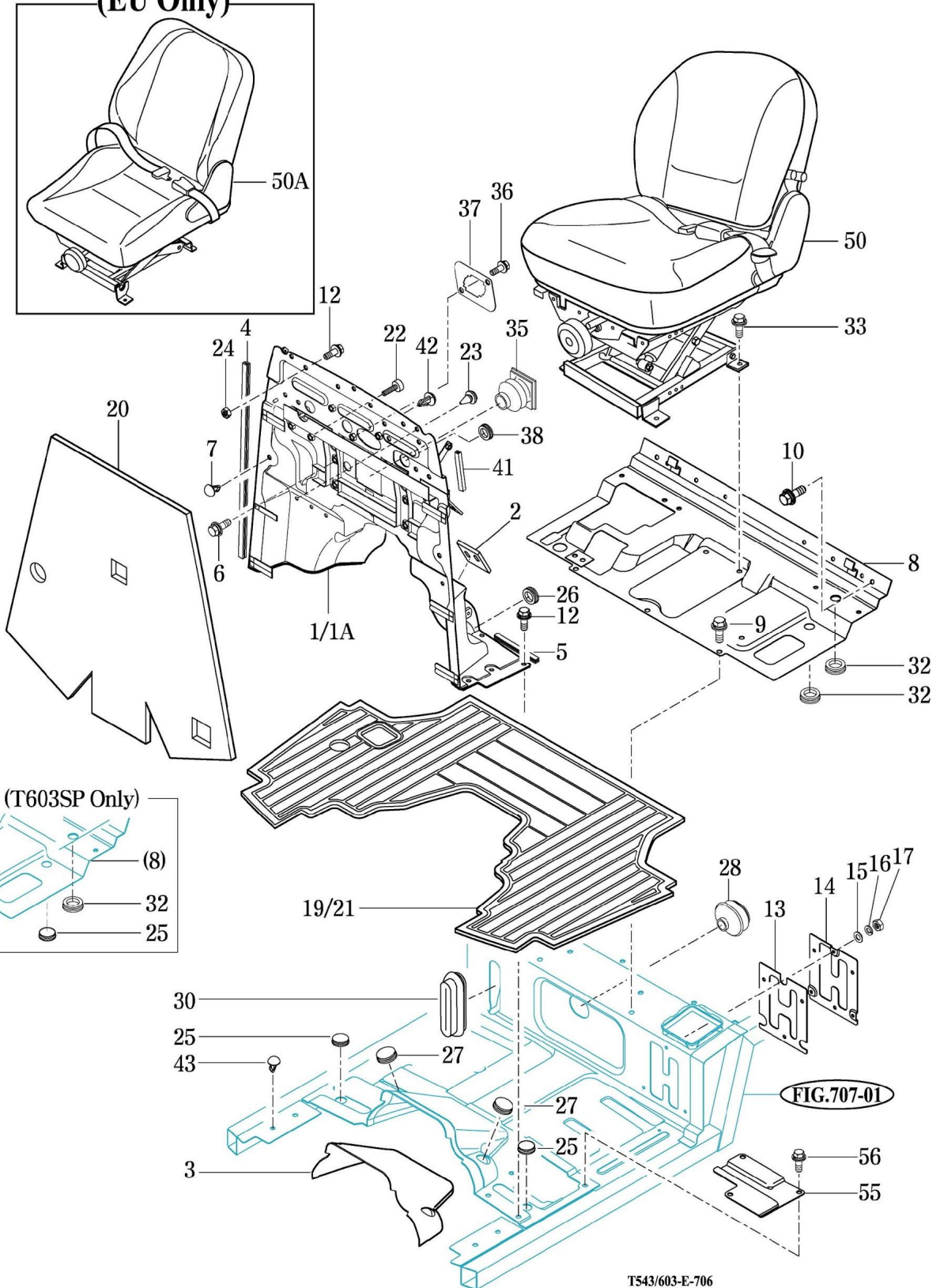
P1

Year / Month

2008 / 08



(EU Only)



T543/603-E-706

NOTE

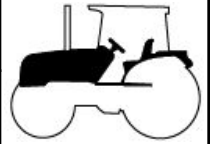
FIG 707

CAB FRAME & REAR GLASS

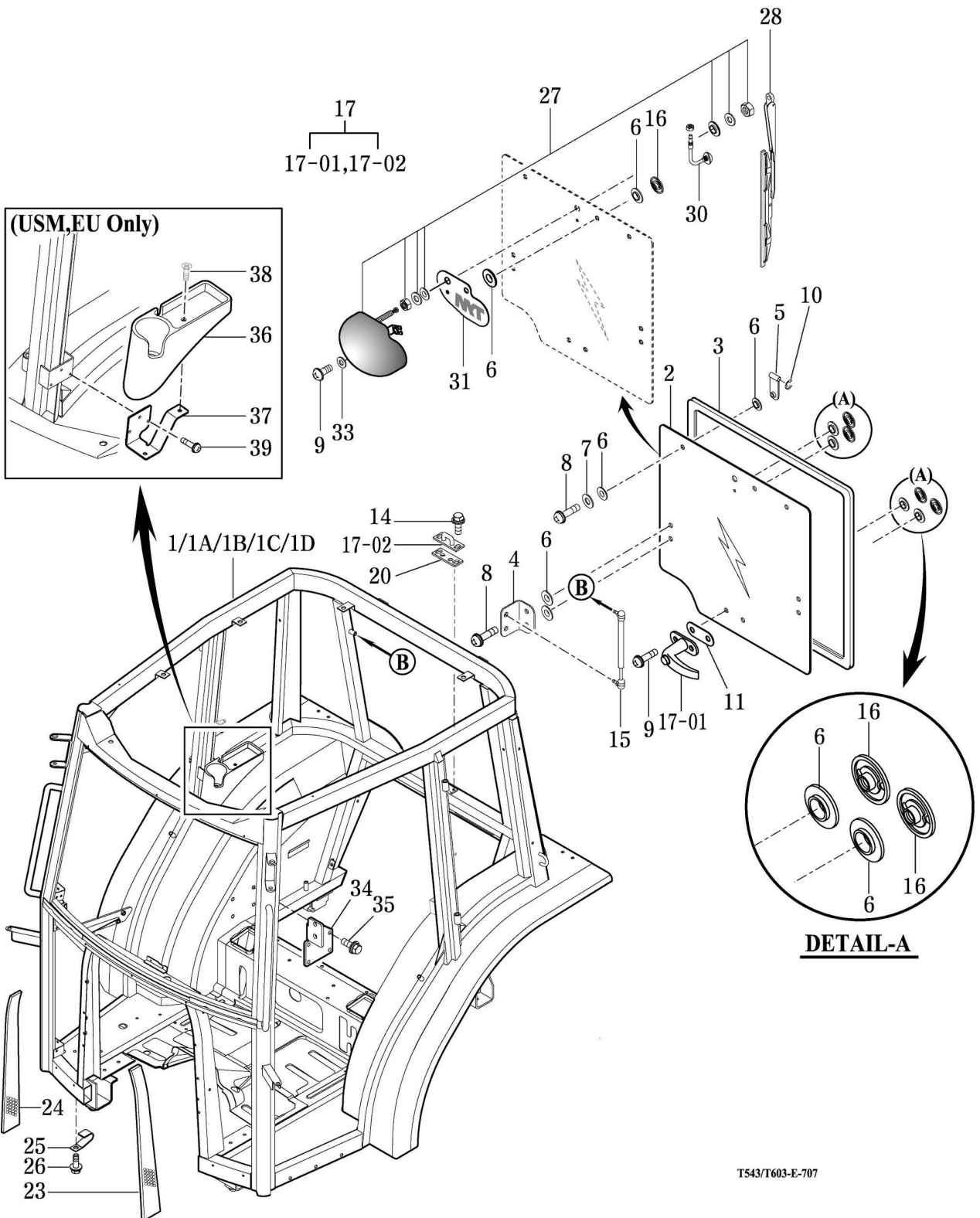
P1

Year / Month

2008 / 08



T543/T603



T543/T603-E-707

NOTE

FIG 708

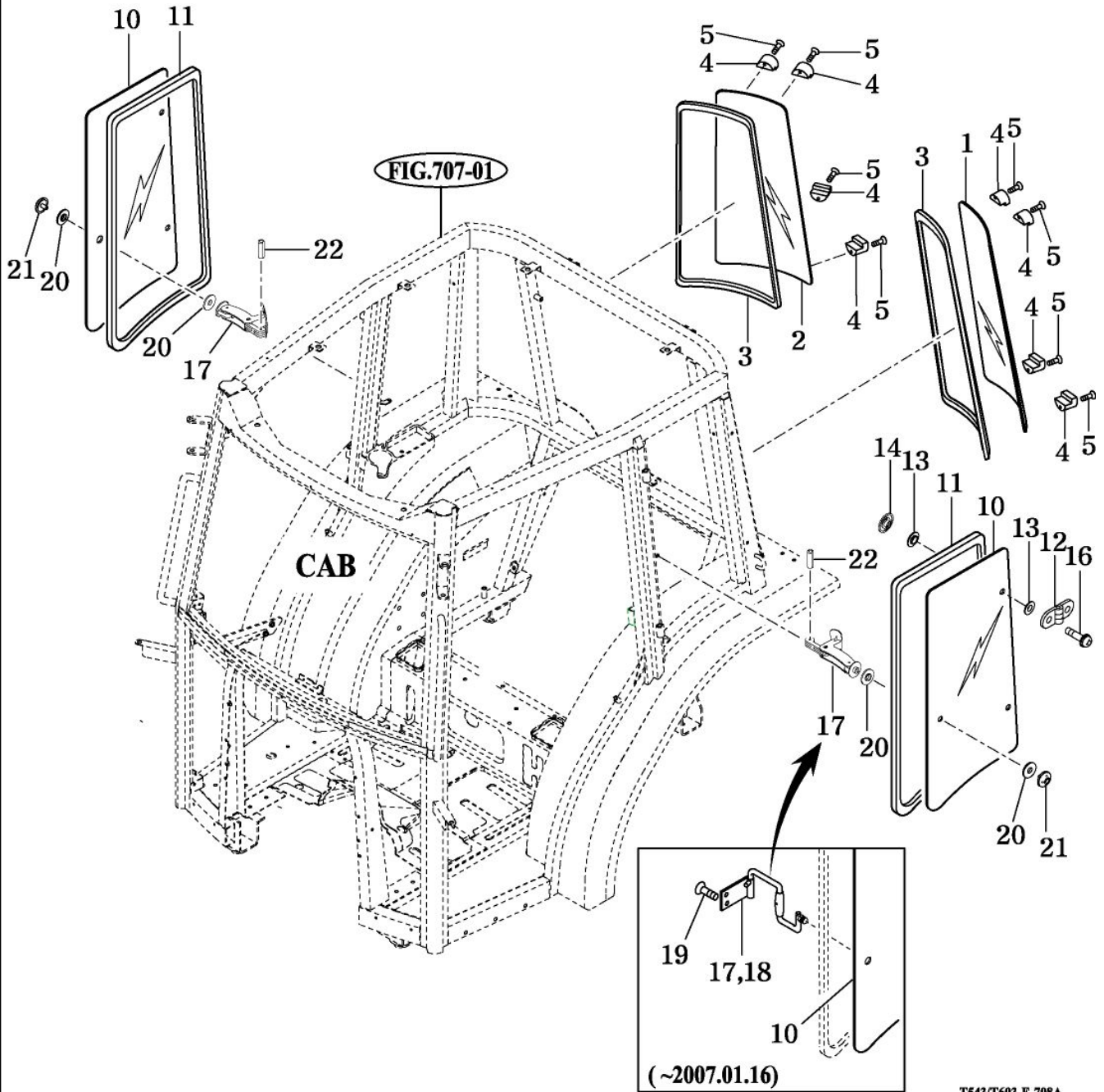
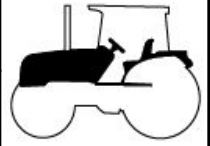
SIDE GLASS

T543/T603

P1

Year / Month

2008 / 08



T543/T603-E-708A

NOTE

FIG 709

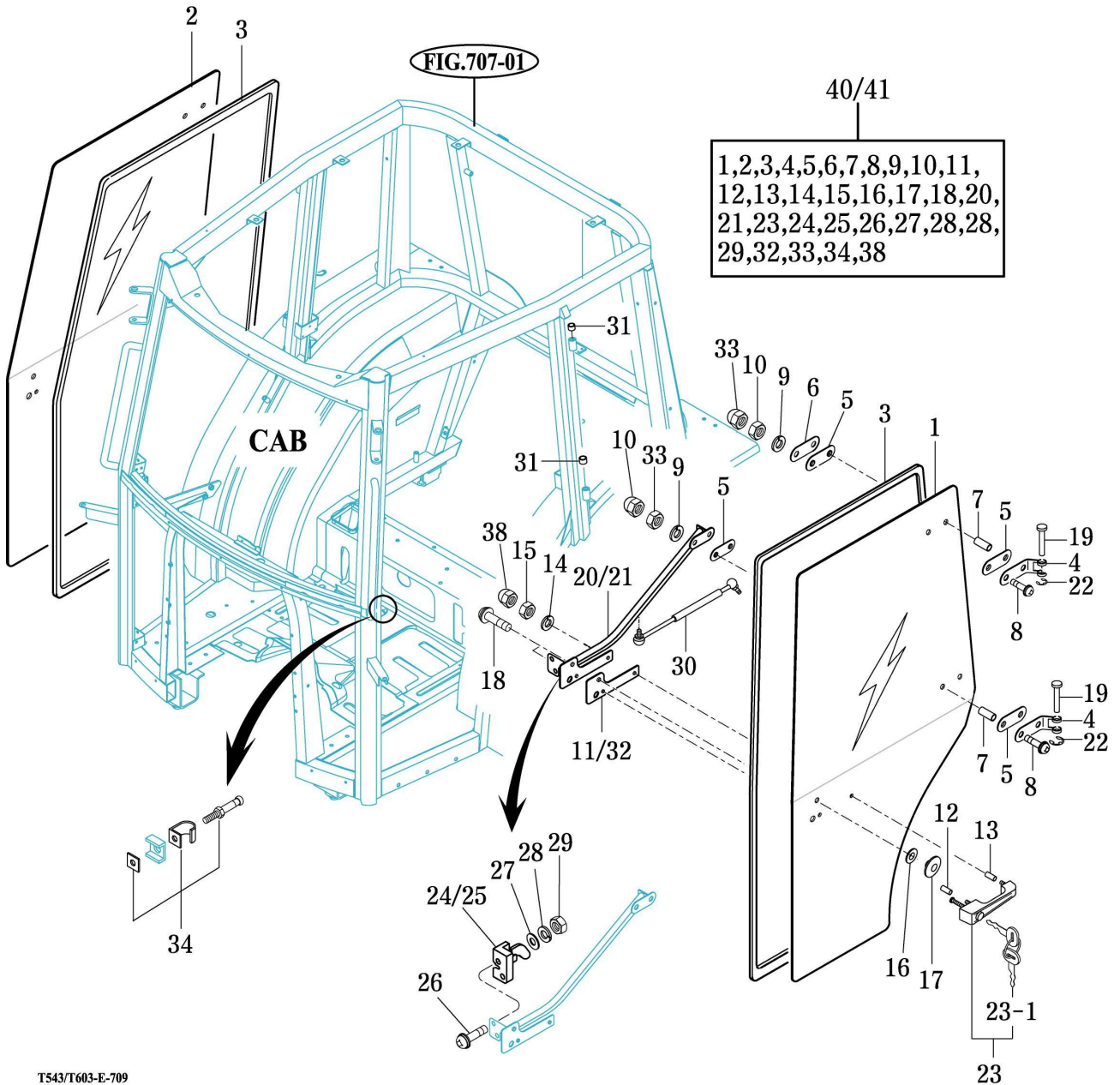
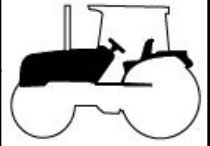
DOOR

T543/T603

P1

Year / Month

2008 / 08



T543/T603-E-709

NOTE

FIG 710

FRONT GLASS

P1

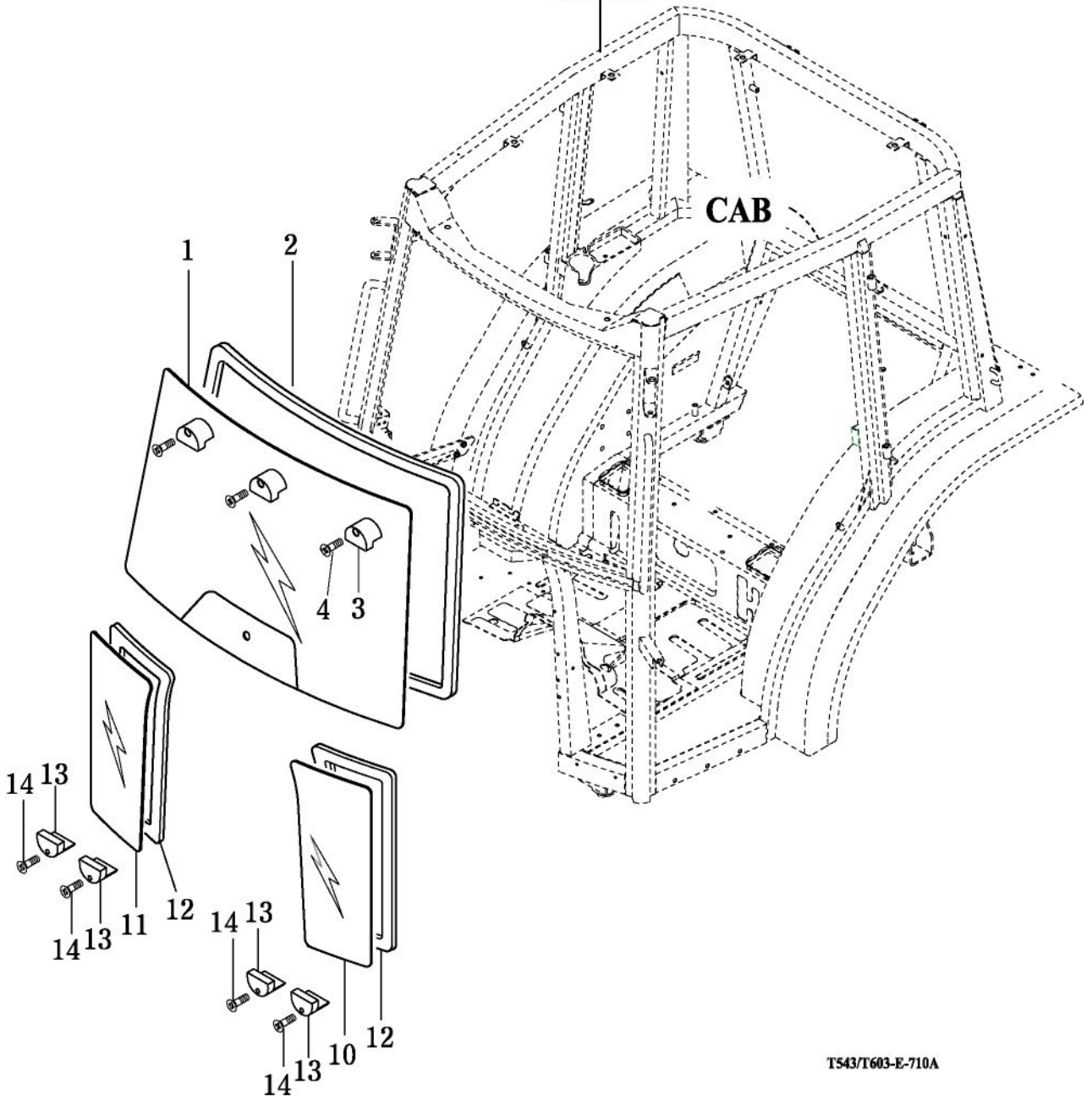
Year / Month

2008 / 08



T543/T603

FIG.707-01



T543/T603-E-710A

NOTE

FIG 711

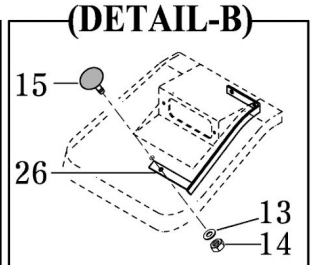
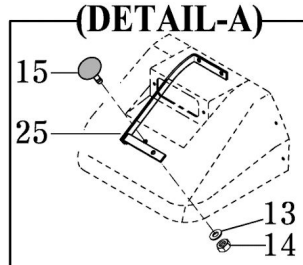
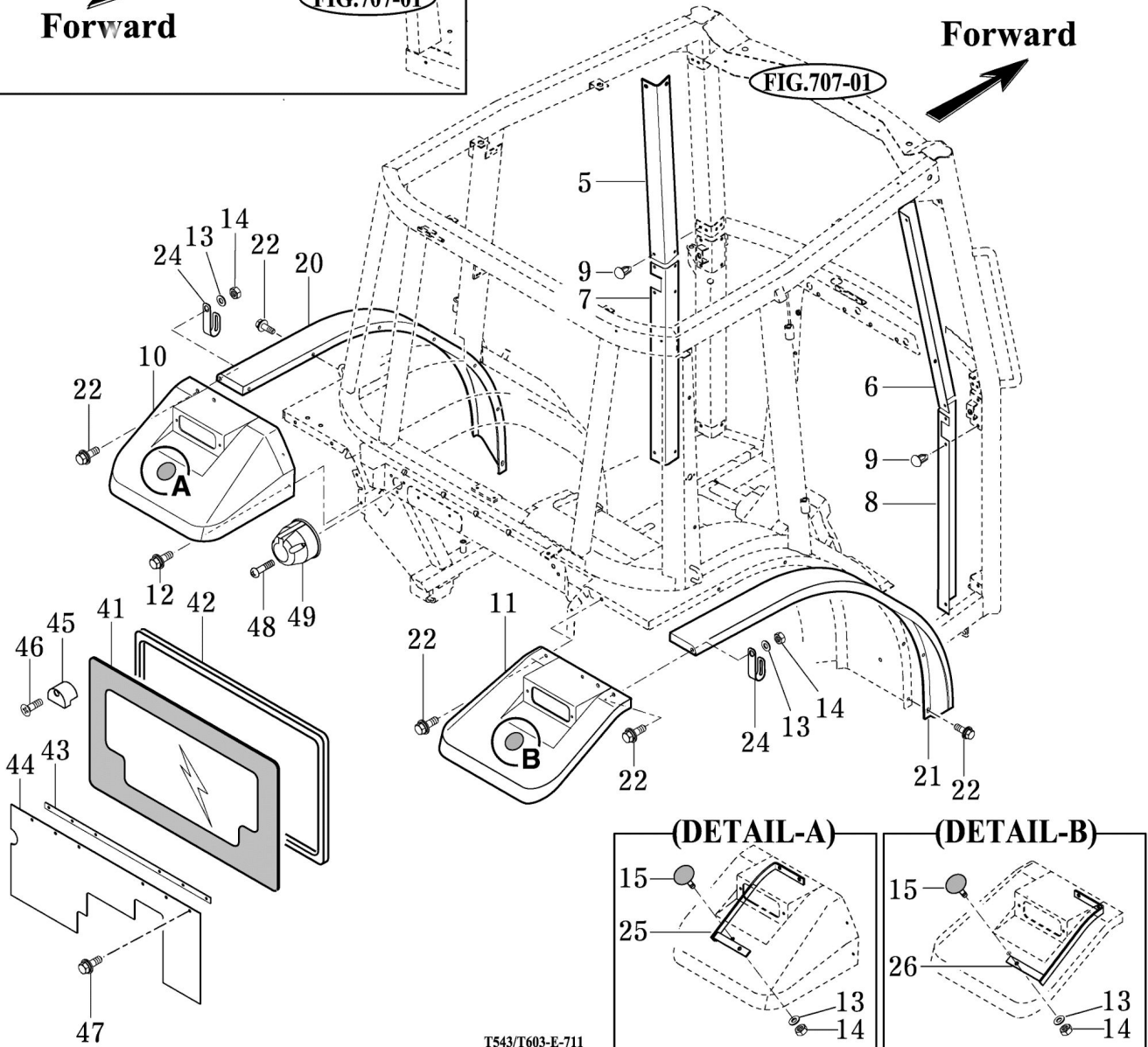
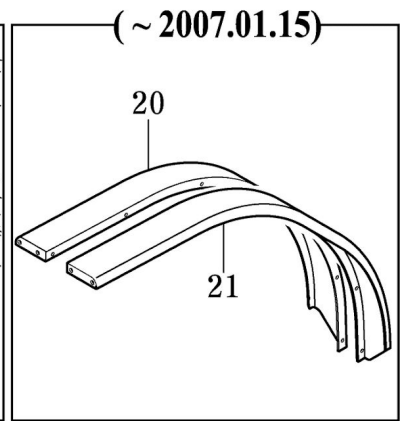
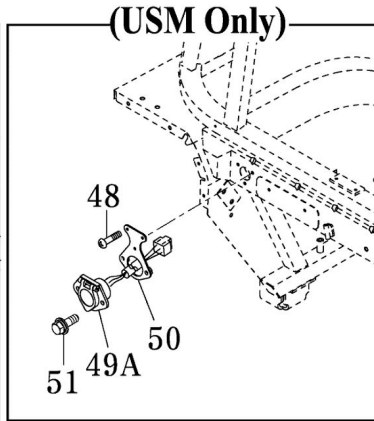
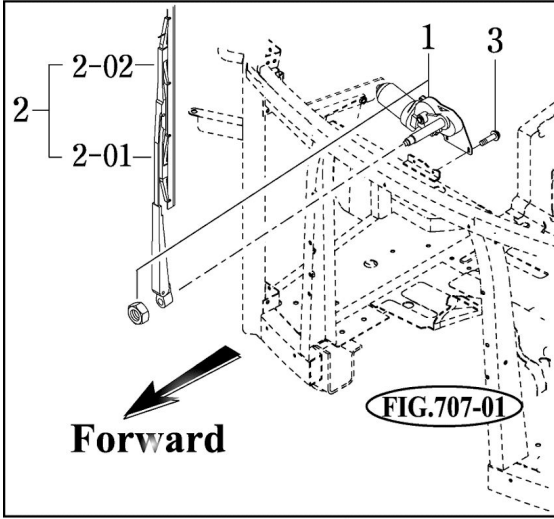
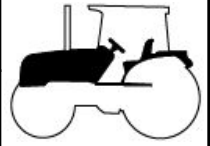
SUB FENDER & COVER

T543/T603

P1

Year / Month

2008 / 08



T543/T603-E-711

NOTE

FIG 712

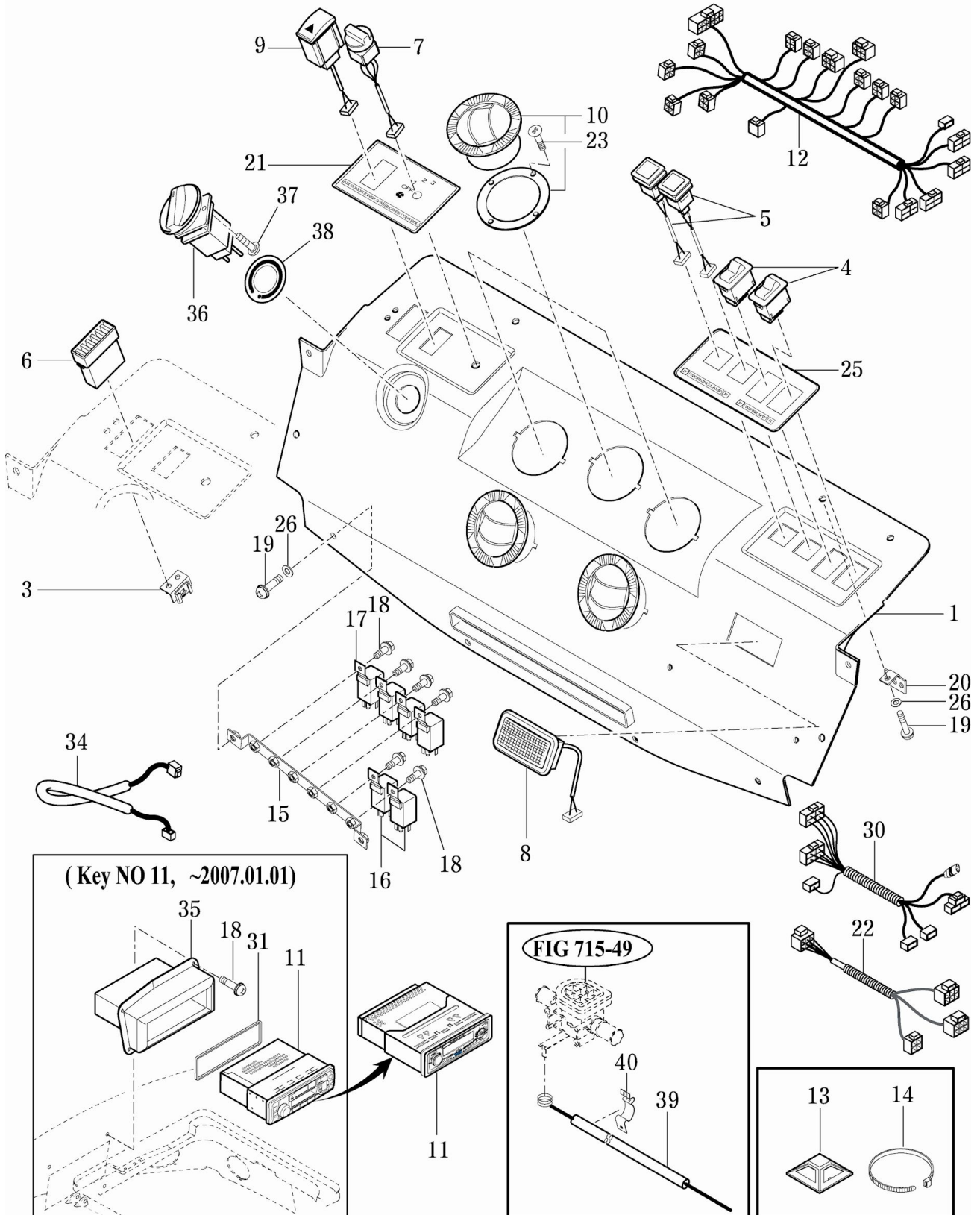
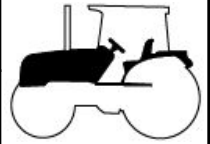
CONTROL COVER

T543/T603

P1

Year / Month

2008 / 08



T543/T593-E-712A

NOTE

FIG 713

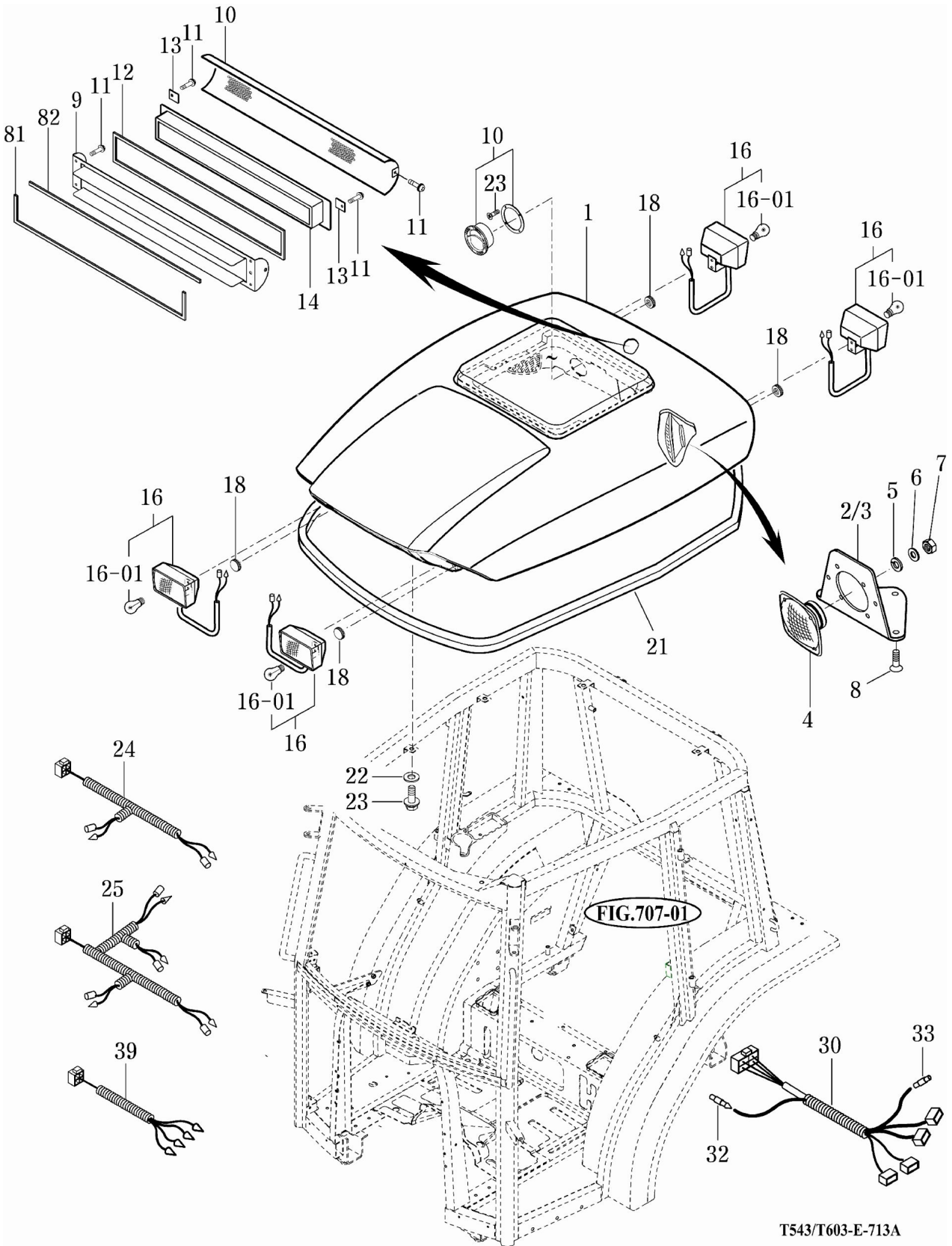
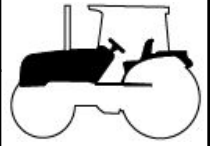
ROOF

T543/T603

P1

Year / Month

2008 / 08



NOTE

FIG 714

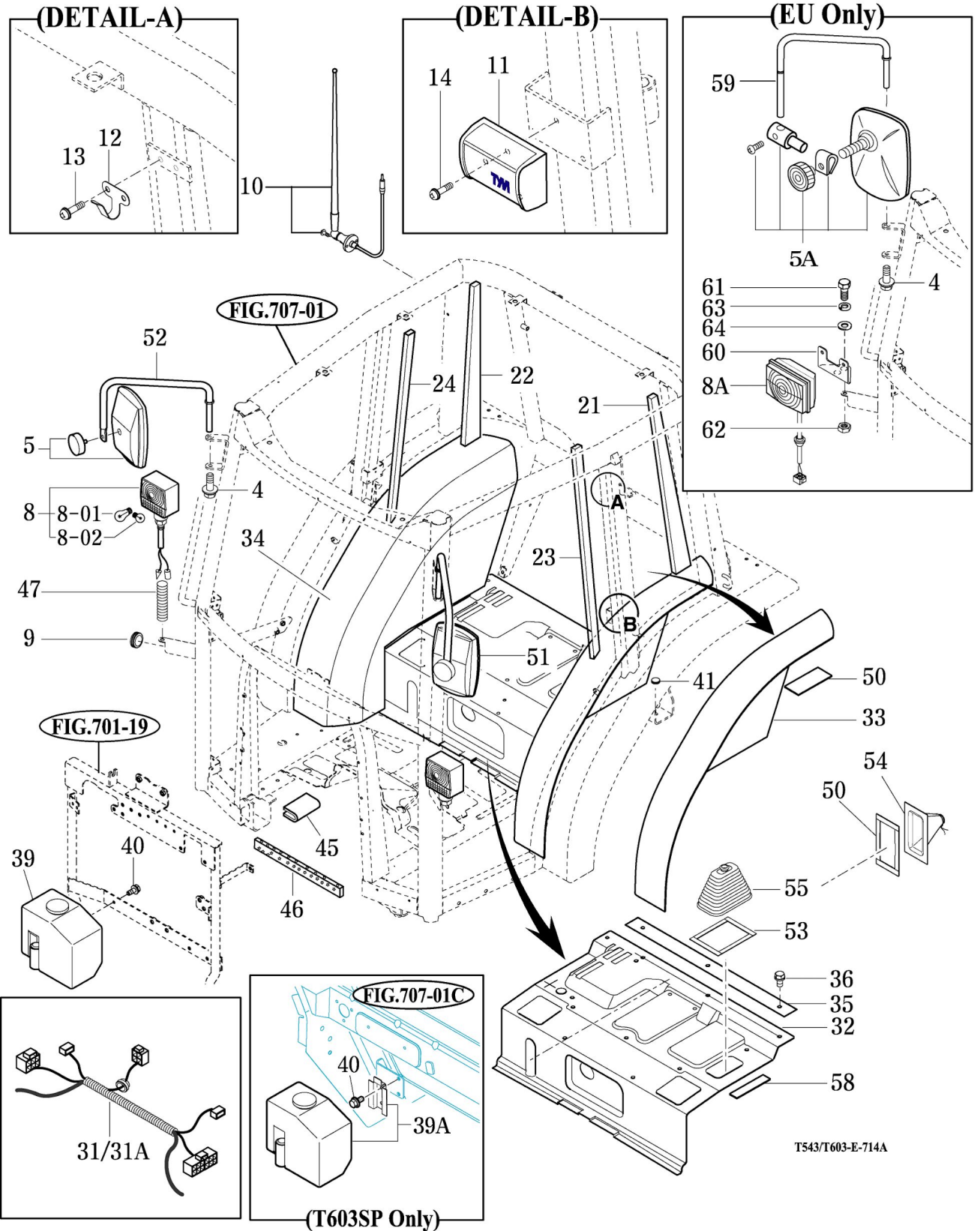
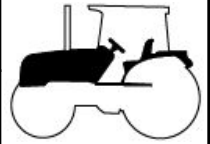
INTERIOR PART

T543/T603

P1

Year / Month

2008 / 08



T543/T603-E-714A

NOTE

FIG 715

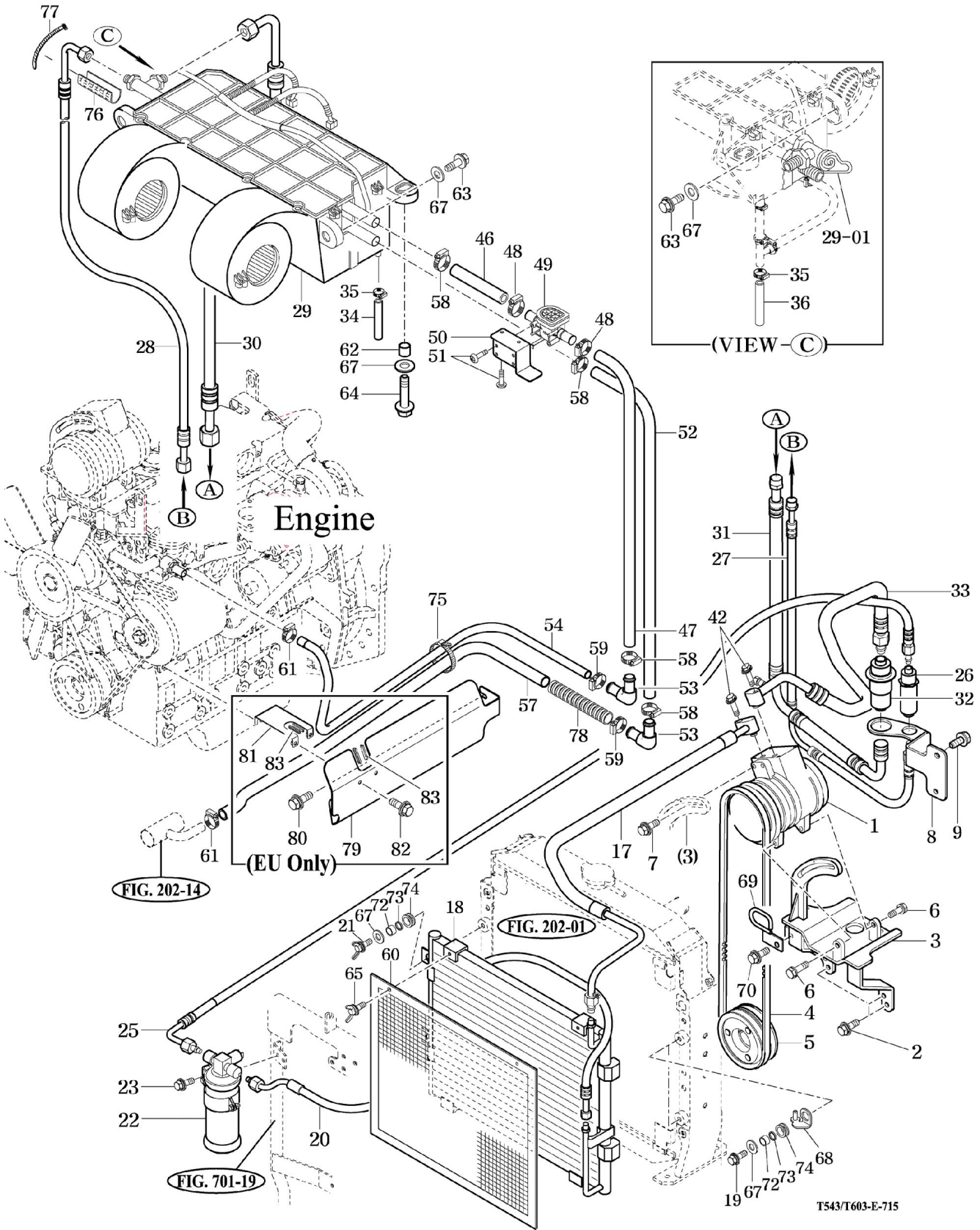
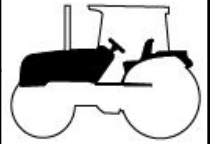
HEATER & AIR-CON

T543/T603

P1

Year / Month

2008 / 08



NOTE

T543/T603-E-715

FIG 715

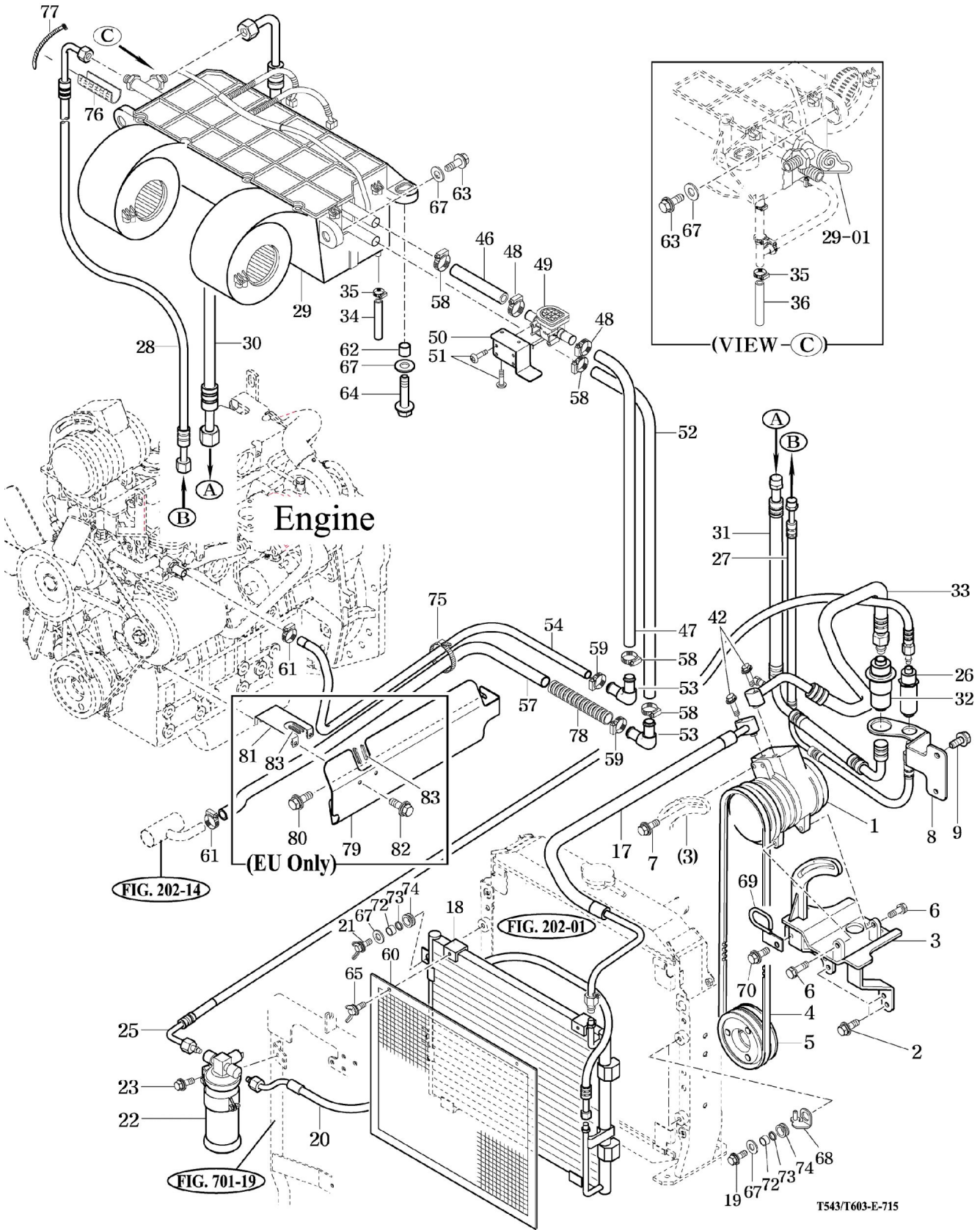
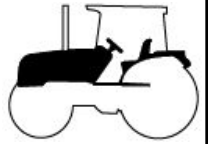
HEATER & AIR-CON

T543/T603

P2

Year / Month

2008 / 08



NOTE