

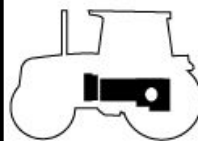
FIG 401

CASE SUB, RR TRANSMISSION

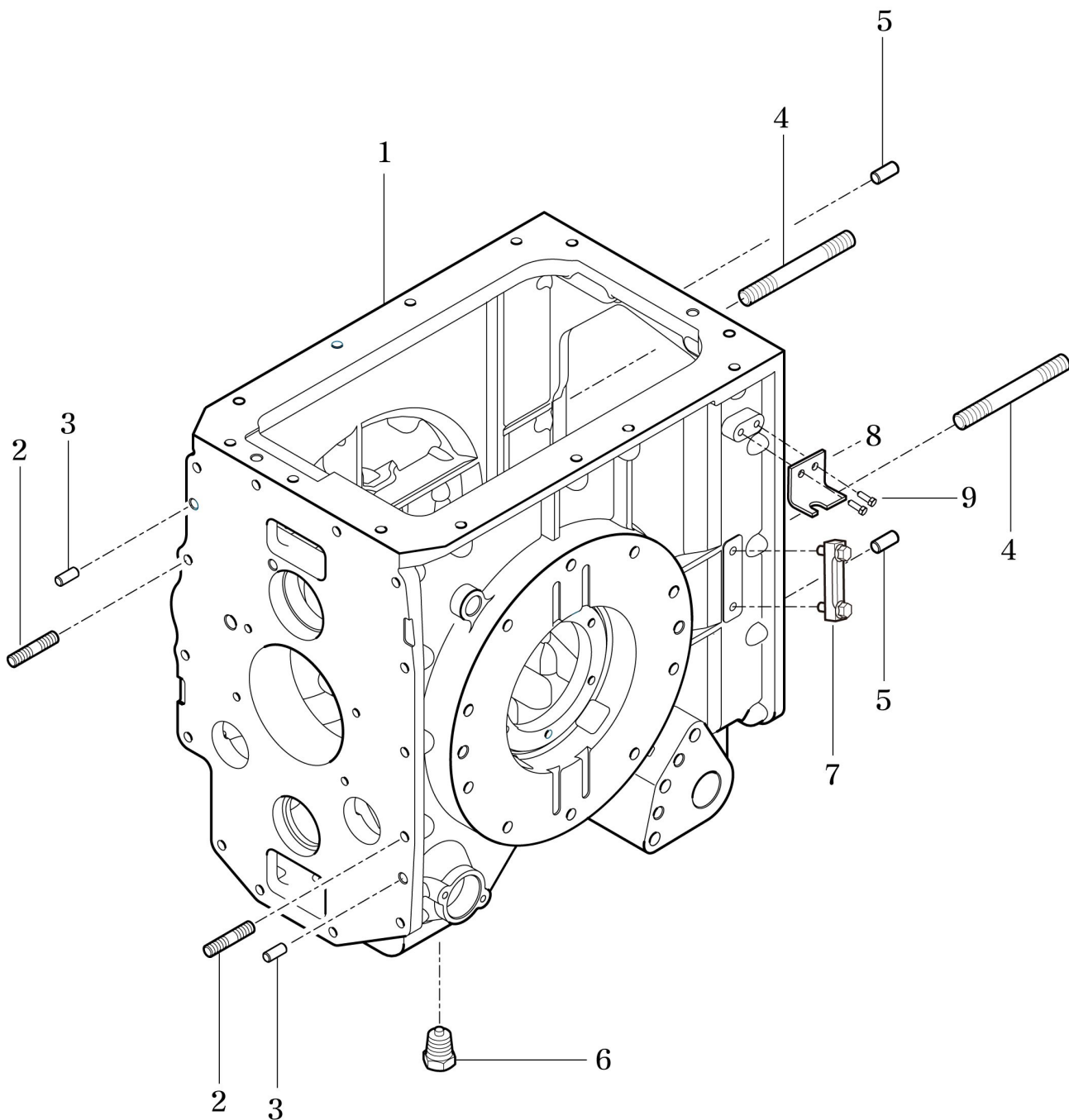
P1

Year / Month

2010 /12



T1003/T903/T803



T953-K-401

NOTE

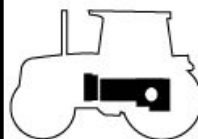
FIG 402A

METAL SUB ASSY, PINION

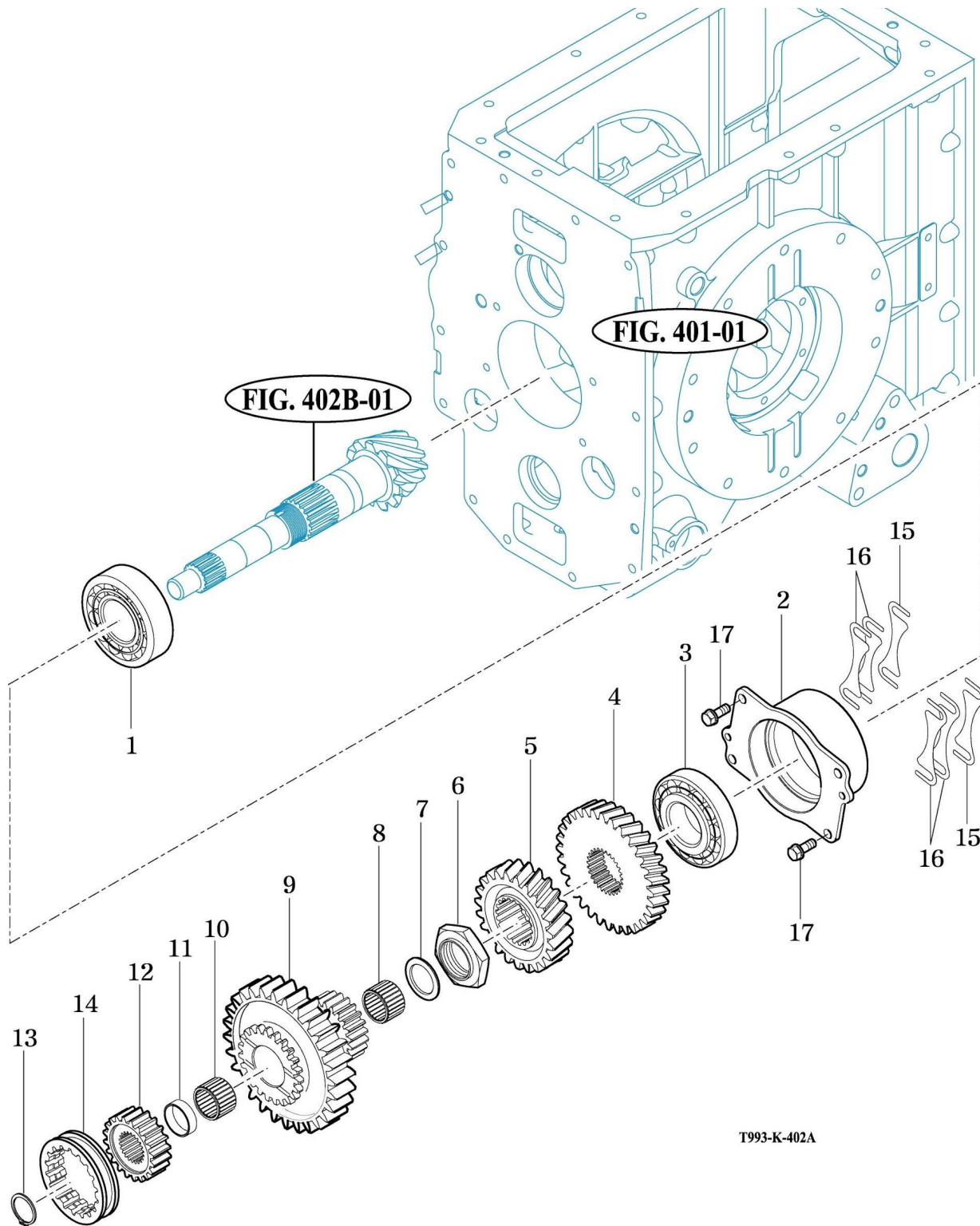
P1

Year / Month

2010 /12



T1003/T903/T803



T993-K-402A

NOTE

FIG 402B

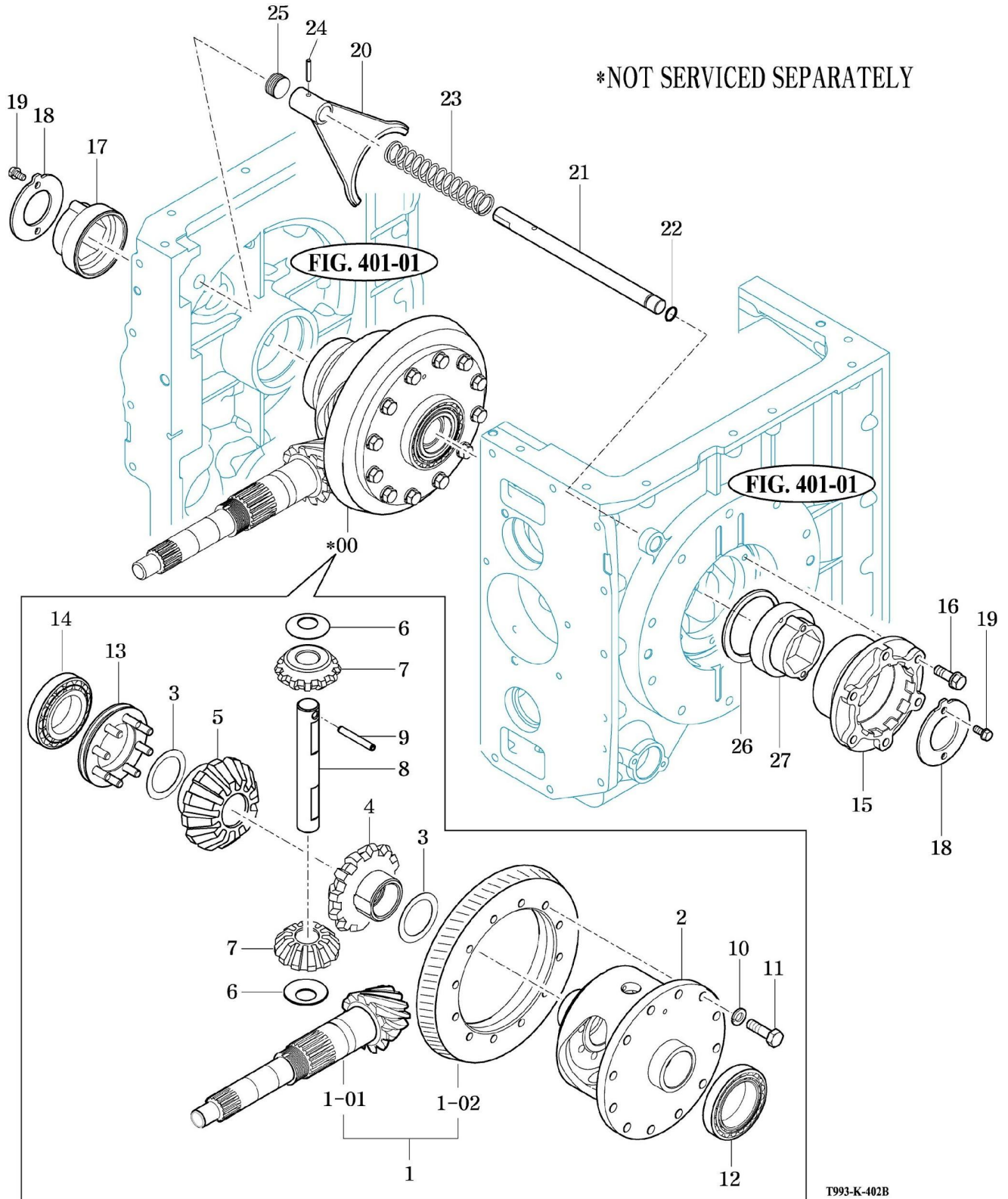
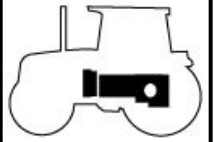
DIFF ASSY, RR

T1003/T903/T803

P1

Year / Month

2010 /12



NOTE

FIG 403

SUB CHANGE GEARS

T1003/T903/T803

P1

Year / Month

2010 /12

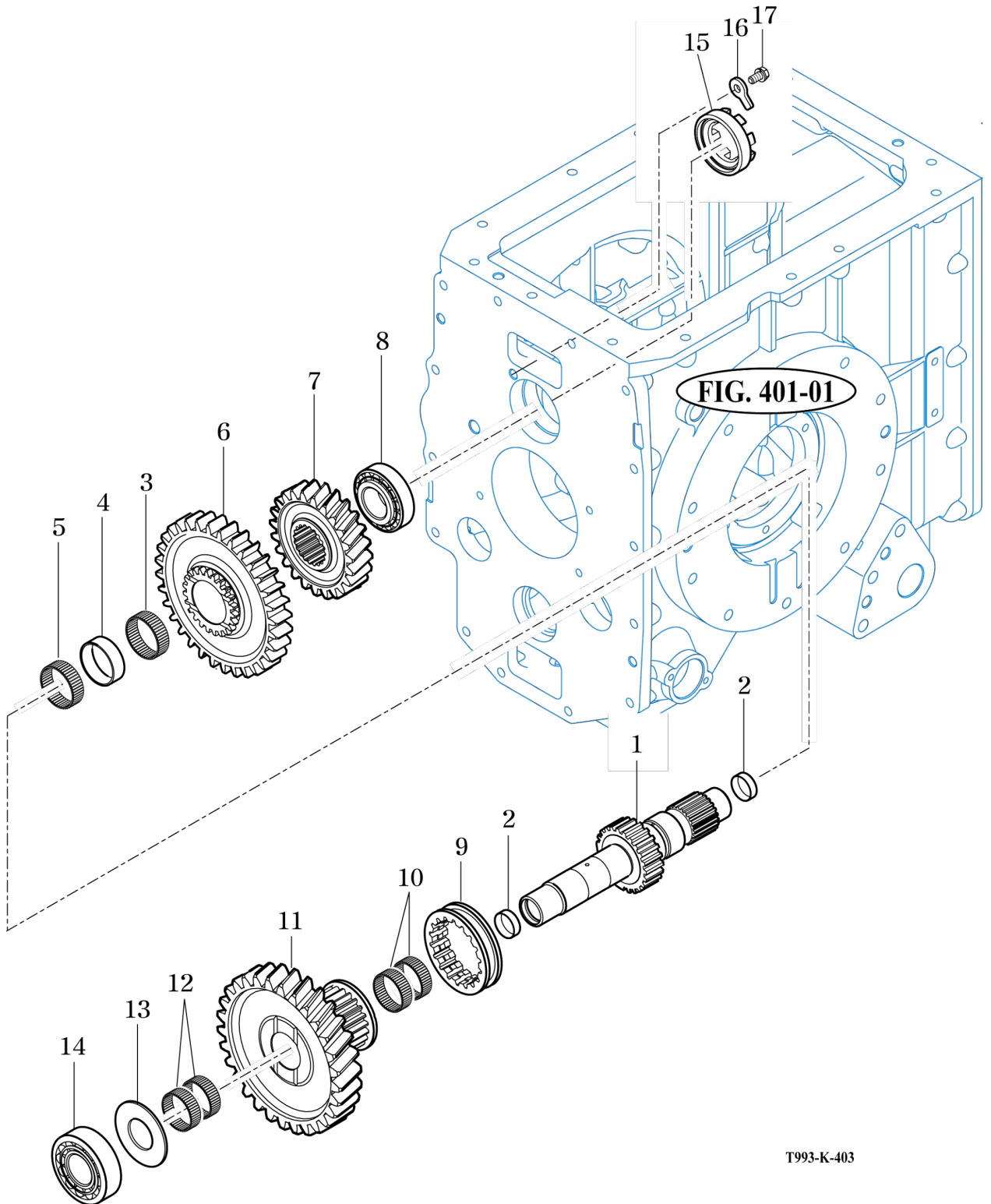
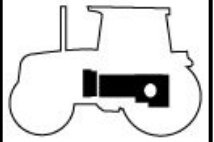


FIG. 401-01

T993-K-403

NOTE

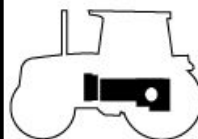
FIG 404

SUB CHANGE LEVER

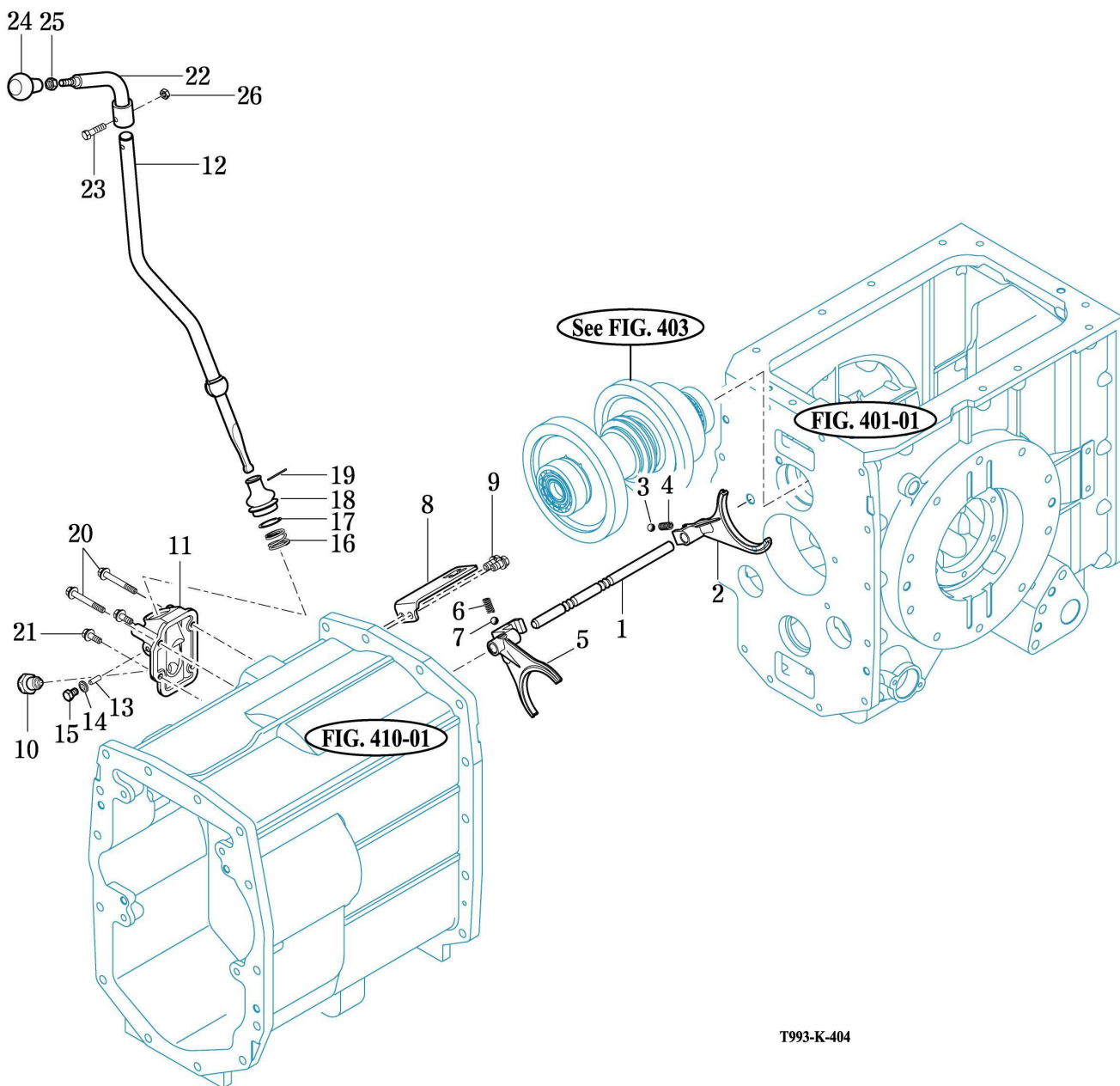
P1

Year / Month

2010 /12



T1003/T903/T803



NOTE

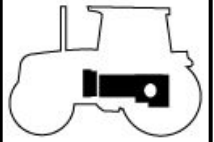
FIG 405

4WD DRIVE GEARS

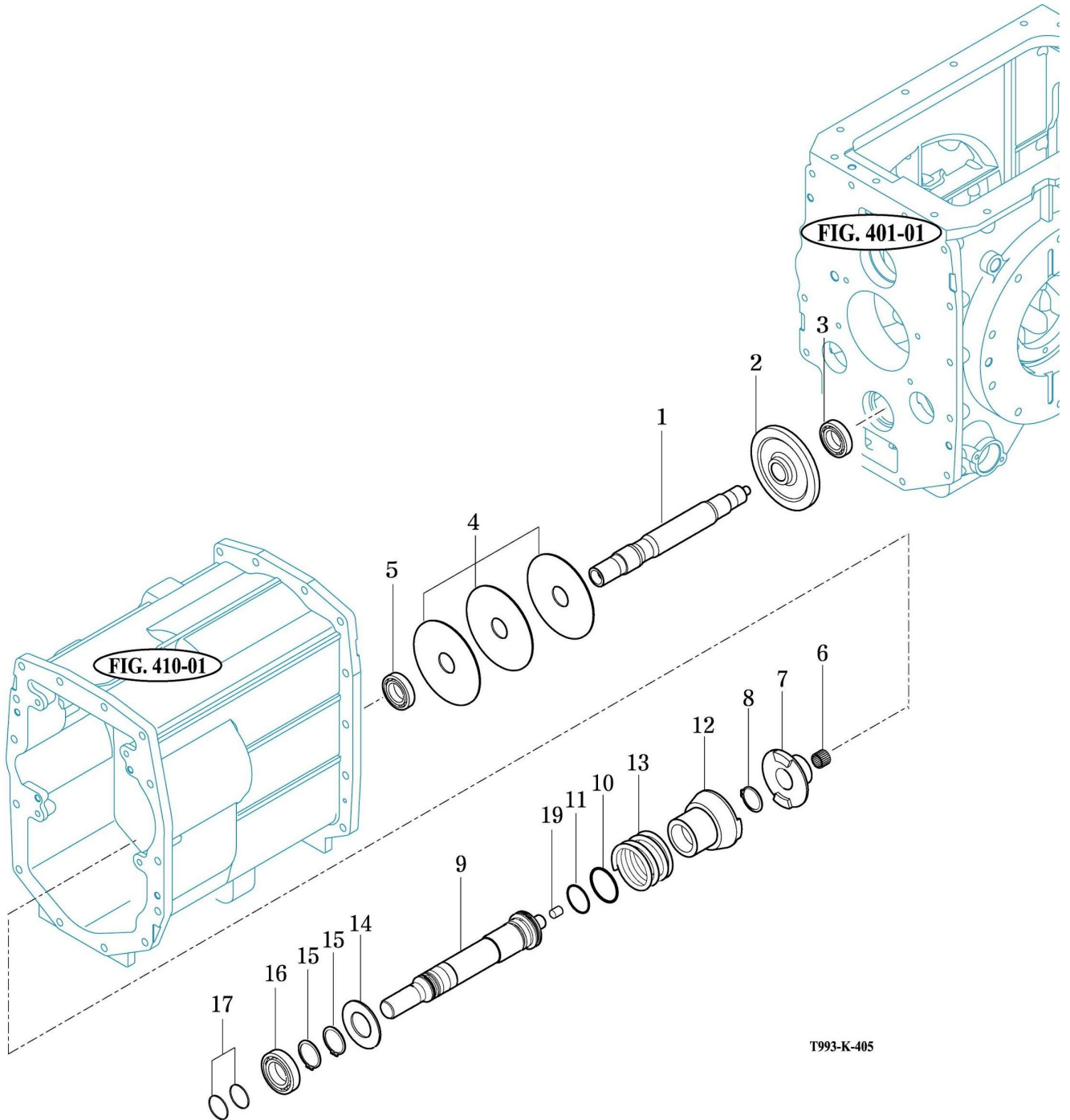
P1

Year / Month

2010 /12



T1003/T903/T803



T993-K-405

NOTE

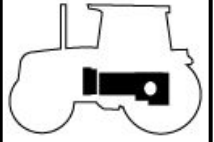
FIG 405A

QUICK TURN DRIVE GEARS (OPTION :AQ)

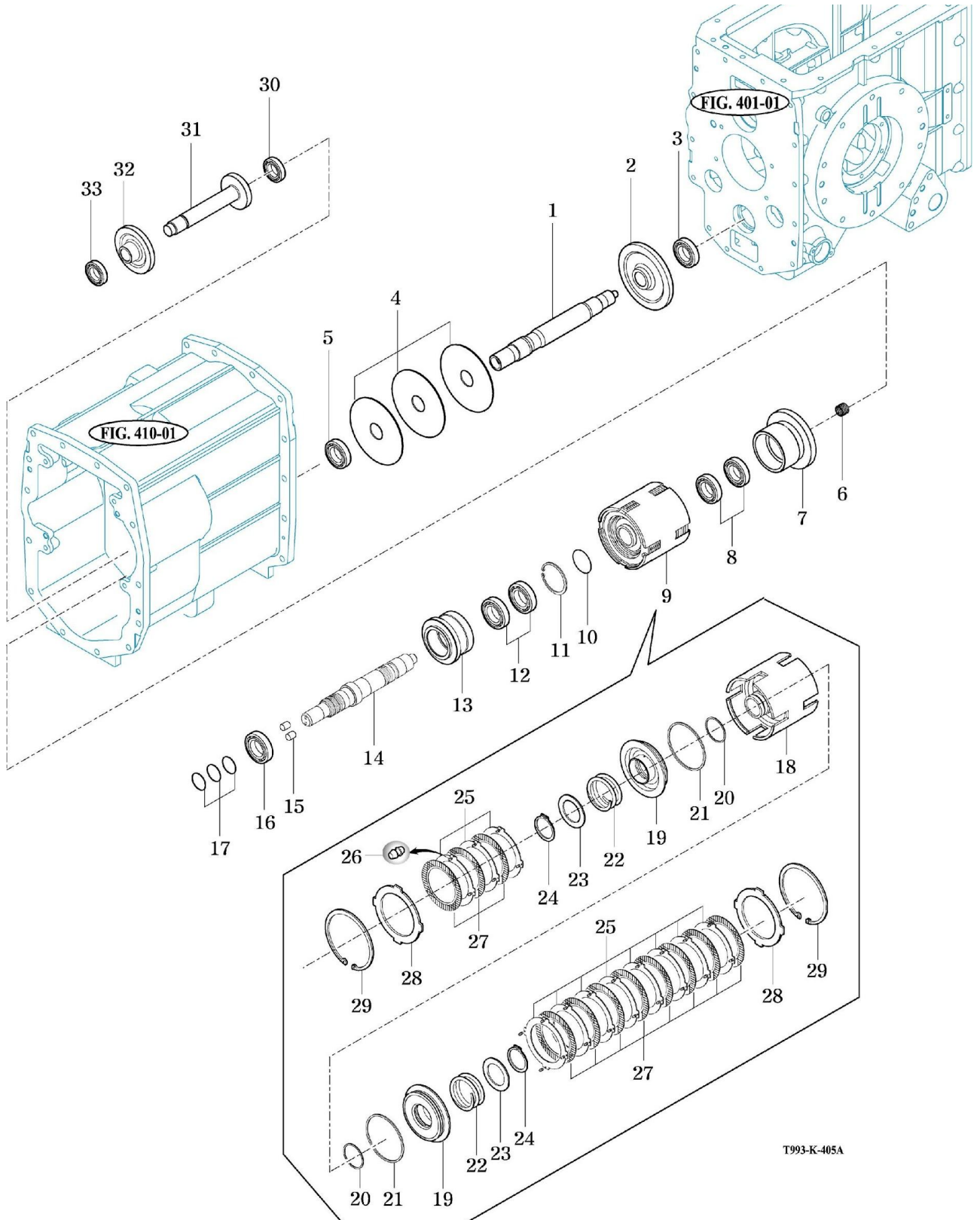
P1

Year / Month

2010 /12



T1003/T903/T803



T993-K-405A

NOTE

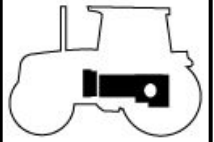
FIG 407

540,750,1000 PTO CASE

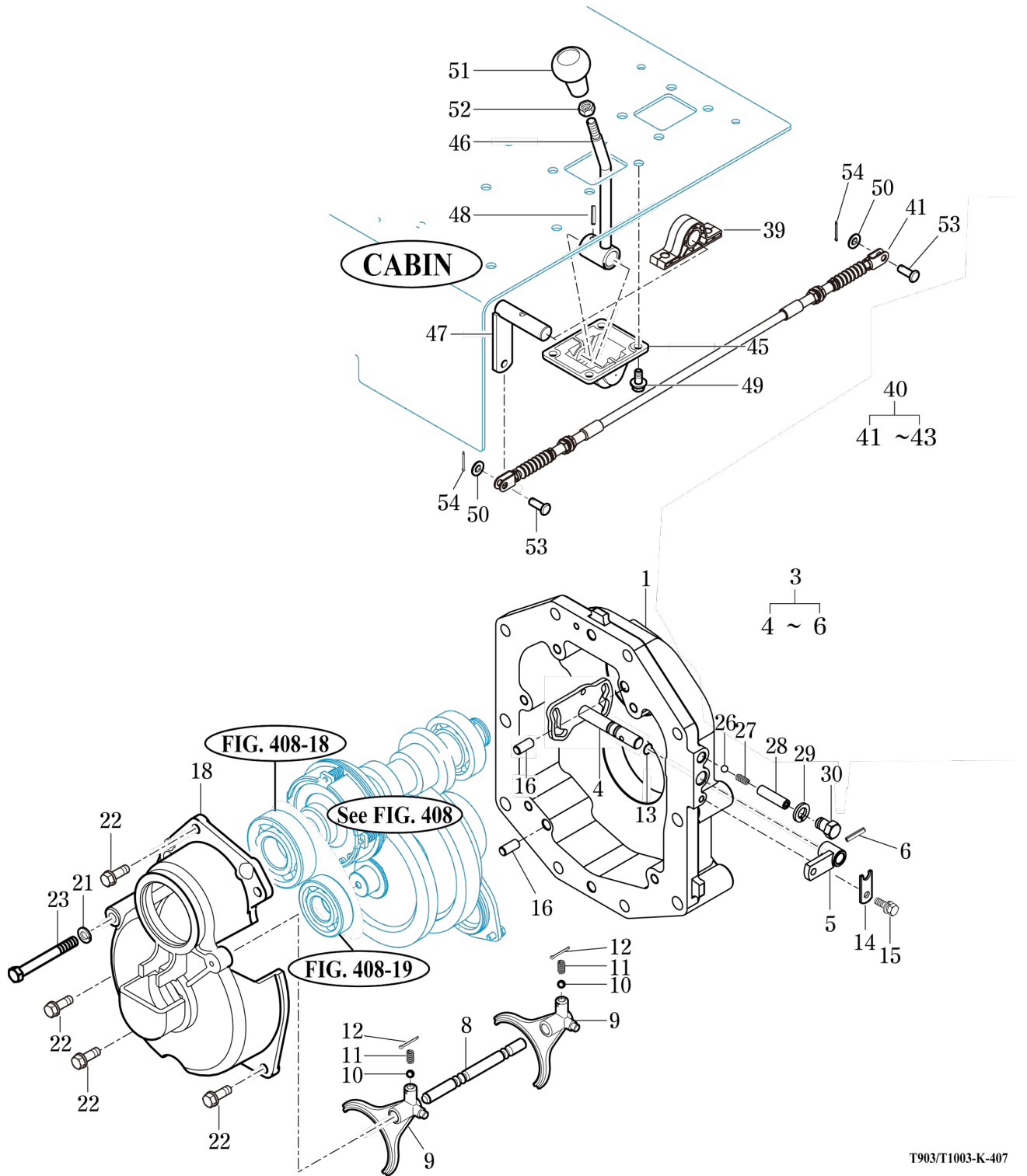
P1

Year / Month

2010 /12



T1003/T903/T803



T903/T1003-K-407

NOTE

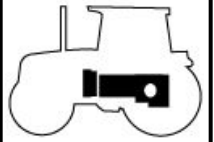
FIG 408A

SHAFT, PTO

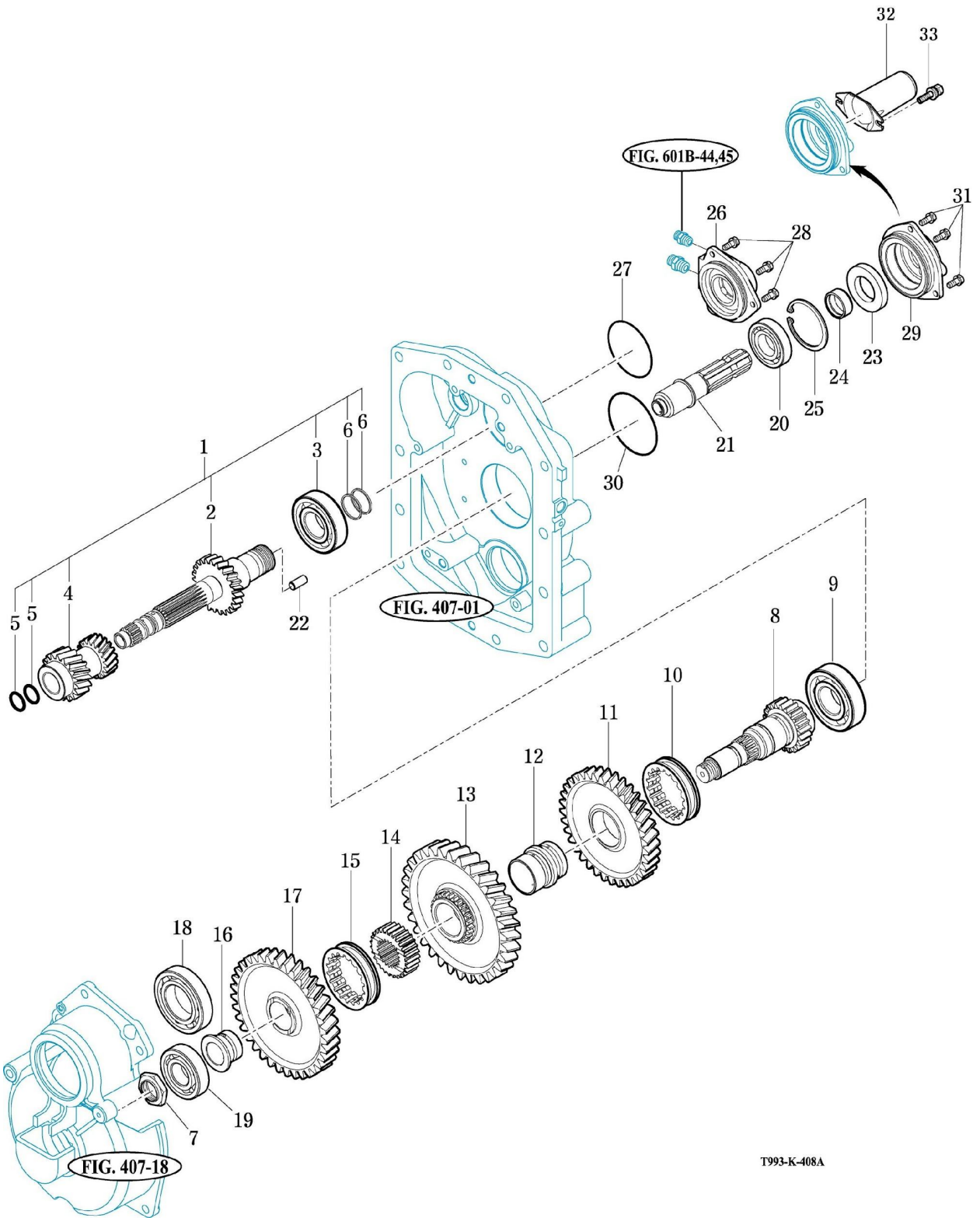
P1

Year / Month

2010 /12



T1003/T903/T803



T993-K-408A

NOTE

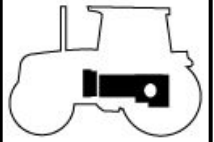
FIG 408B

PTO CLUTCH ASSY

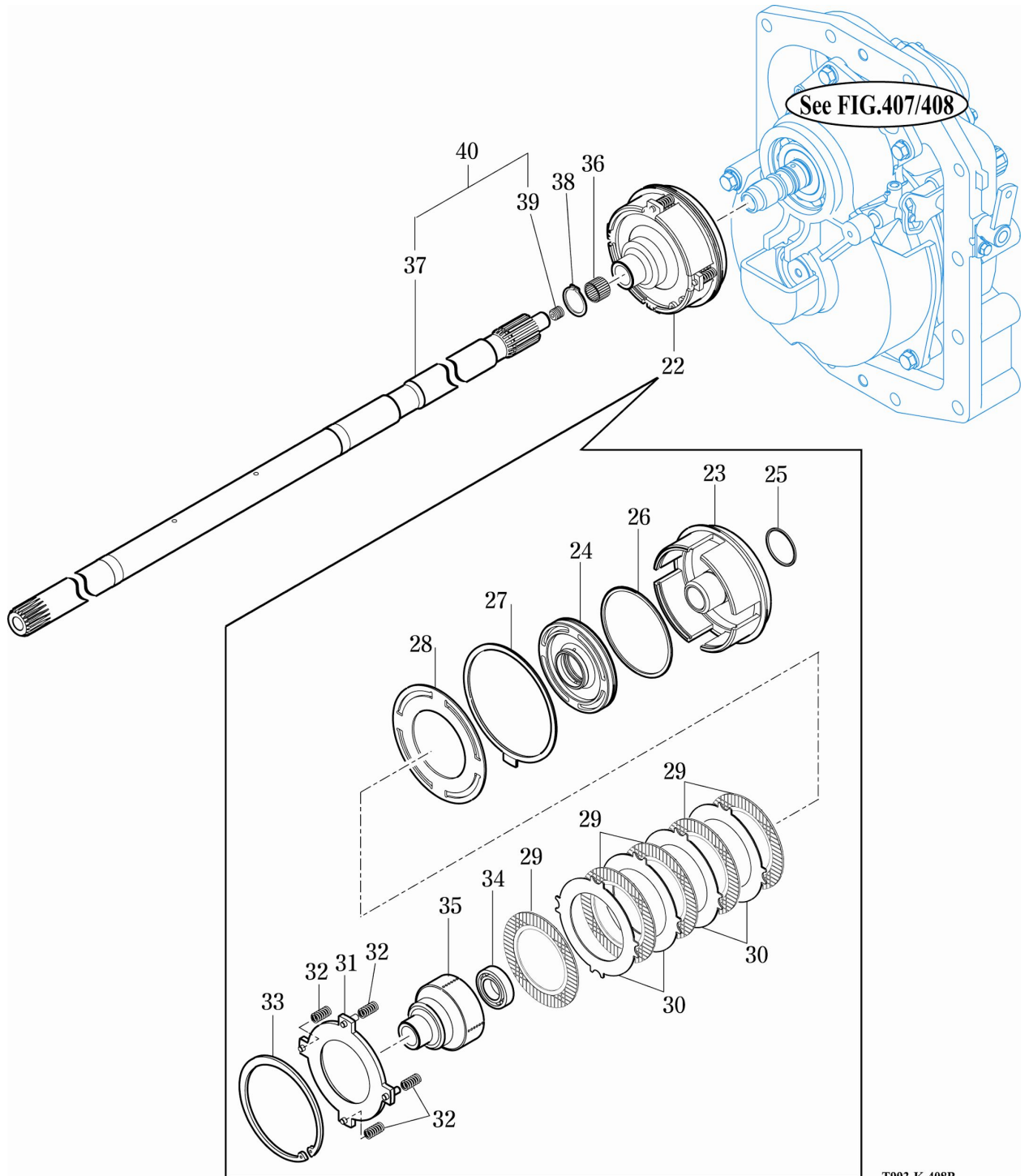
P1

Year / Month

2010 /12



T1003/T903/T803



T993-K-408B

NOTE

FIG 410

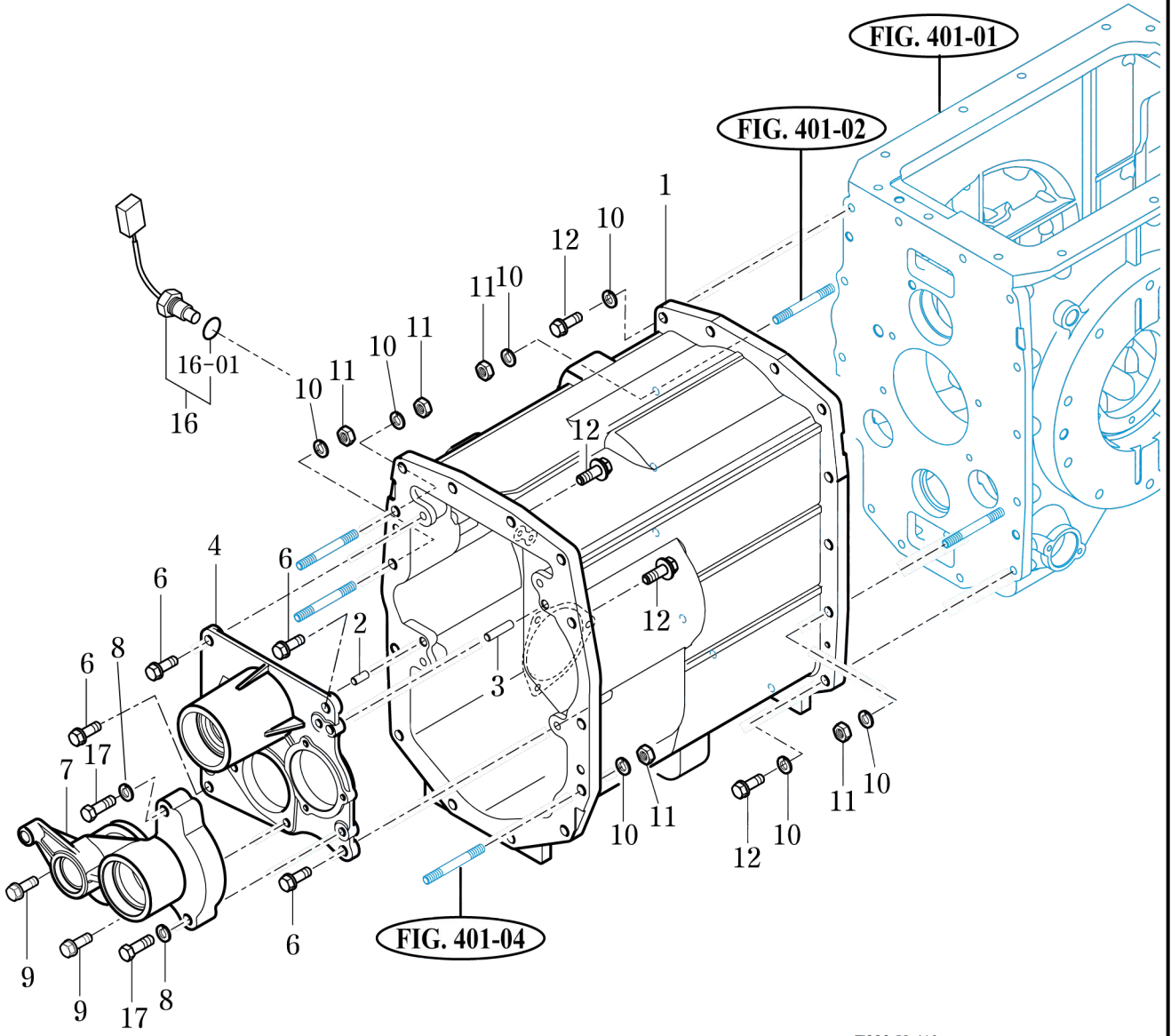
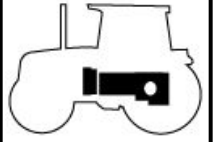
T1003/T903/T803

CASE, MID TRANSMISSION

P1

Year / Month

2010 /12



T993-K-410

NOTE

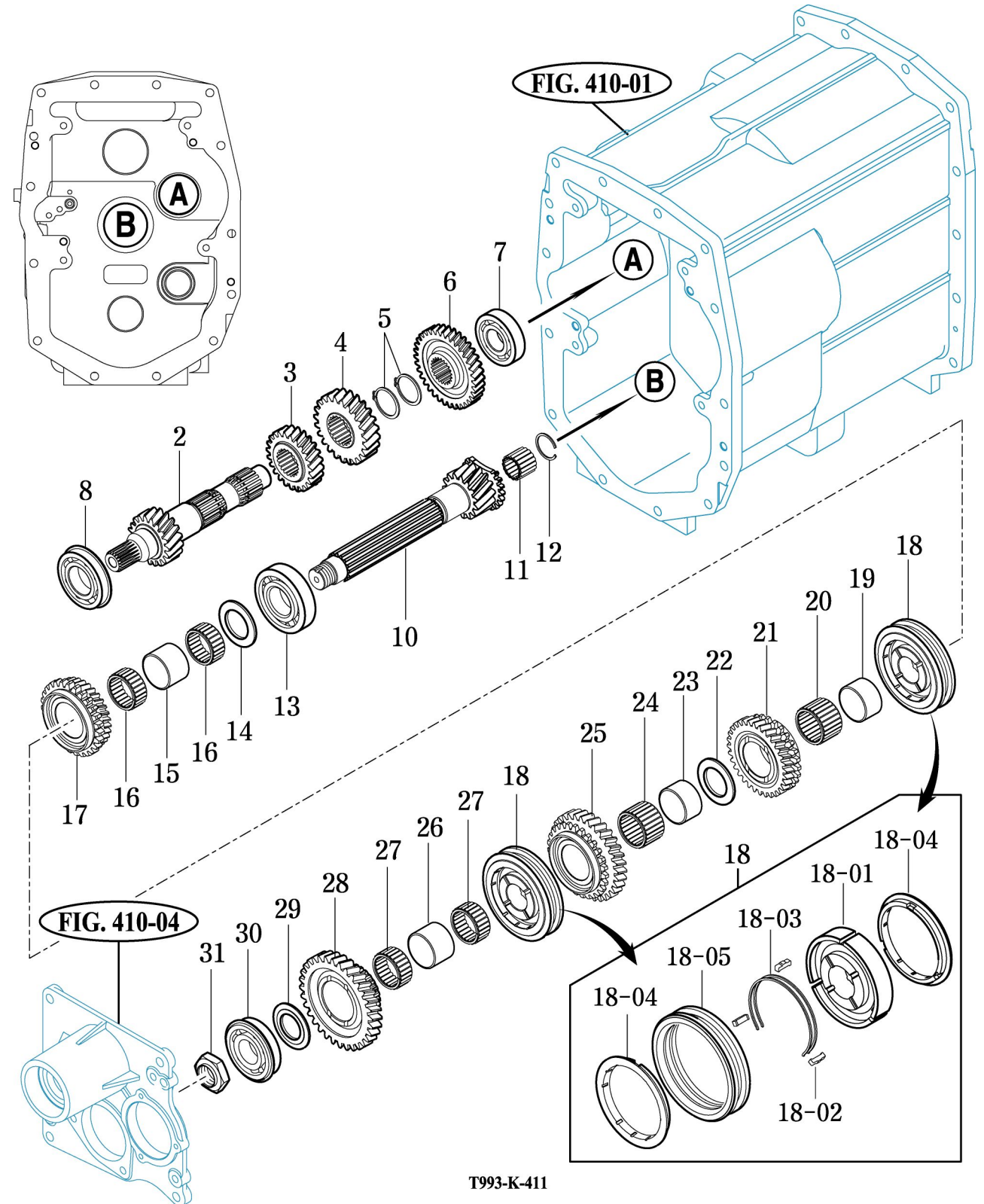
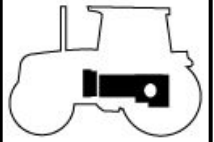
FIG 411

MAIN CHANGE GEARS

P1

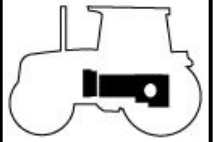
Year / Month

2010 /12

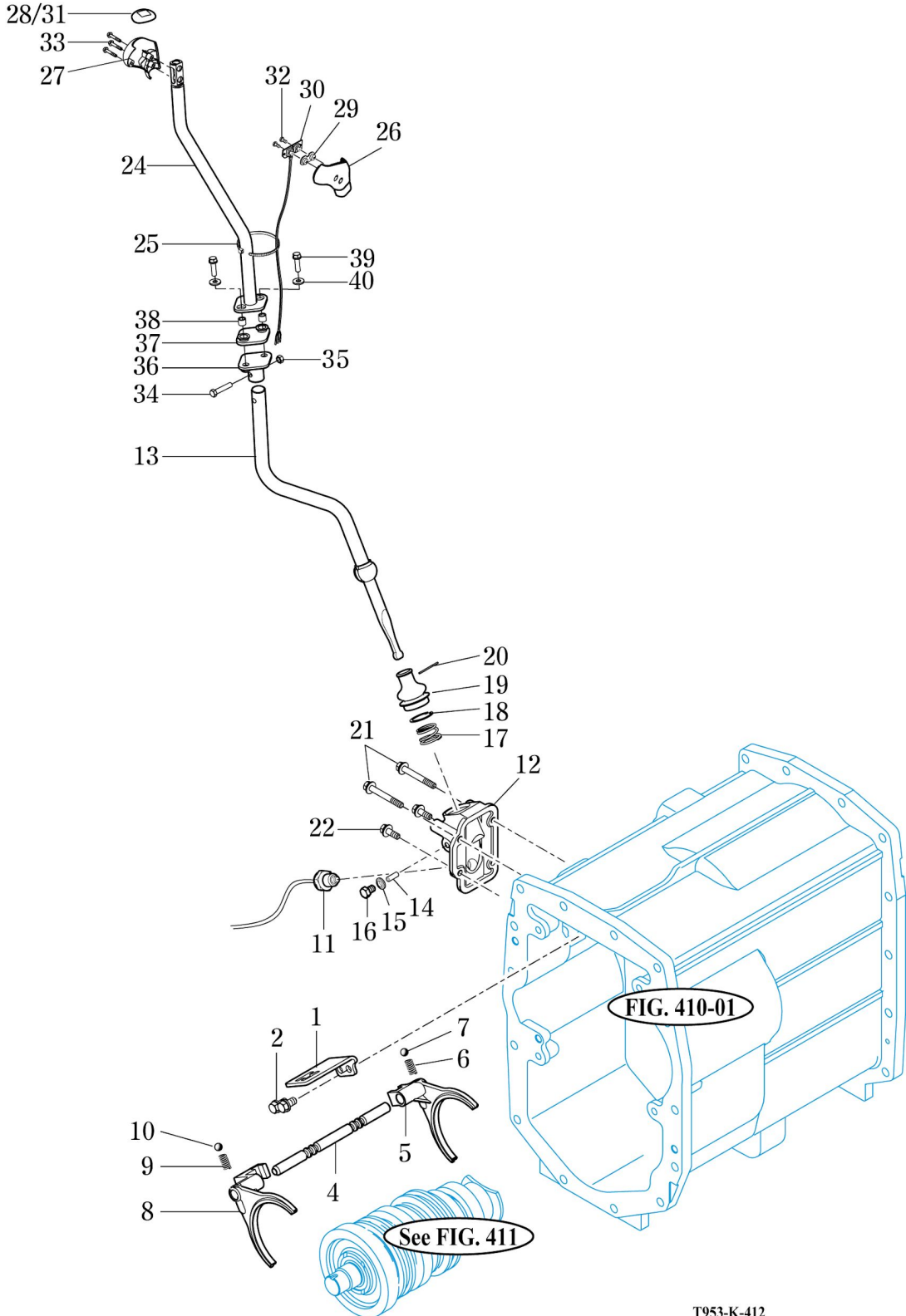


T993-K-411

NOTE



T1003/T903/T803



T953-K-412

NOTE

FIG 413

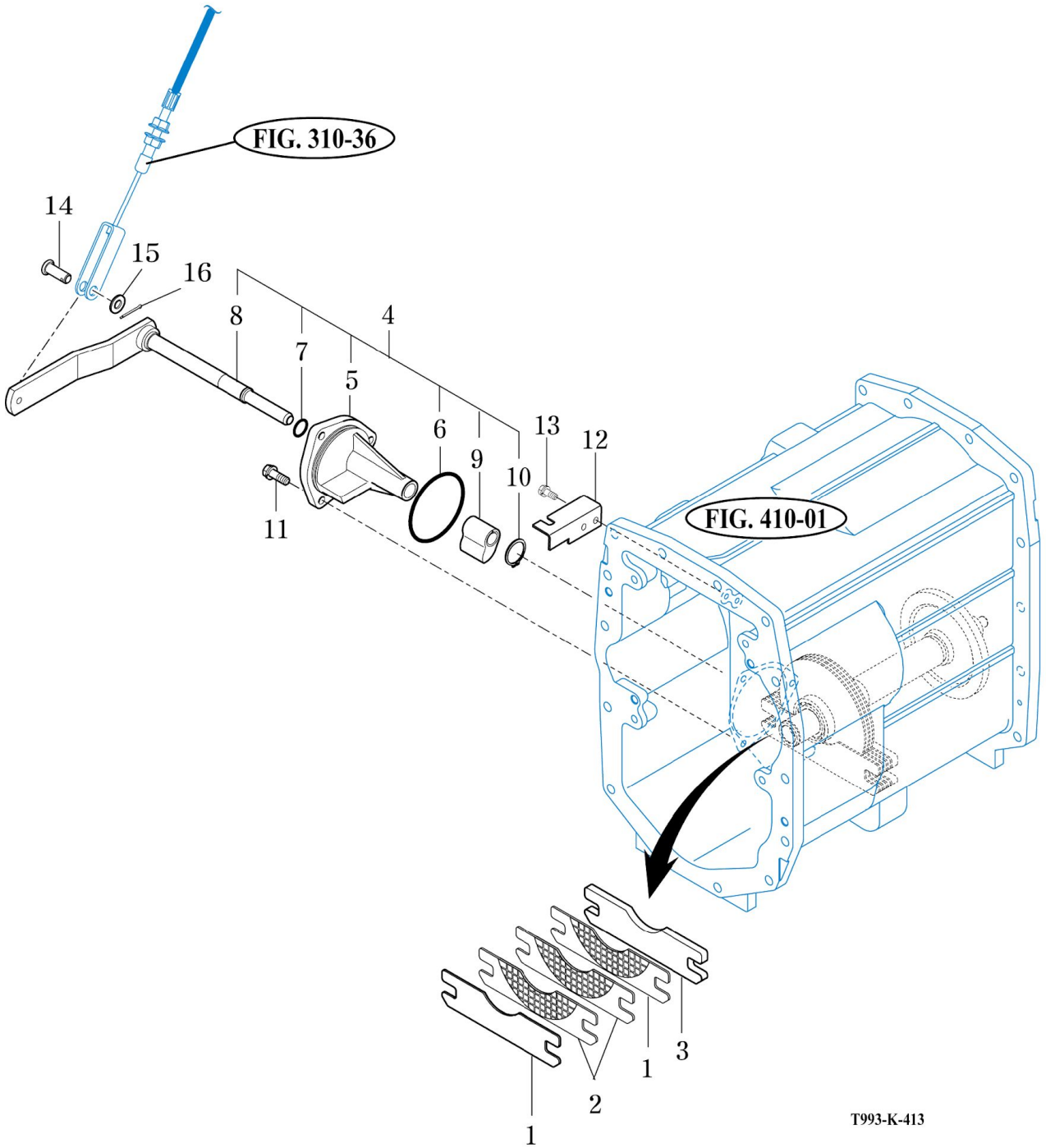
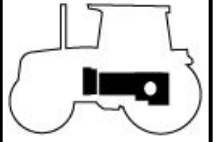
PARKING BRAKE

T1003/T903/T803

P1

Year / Month

2010 /12



T993-K-413

NOTE

FIG 414A

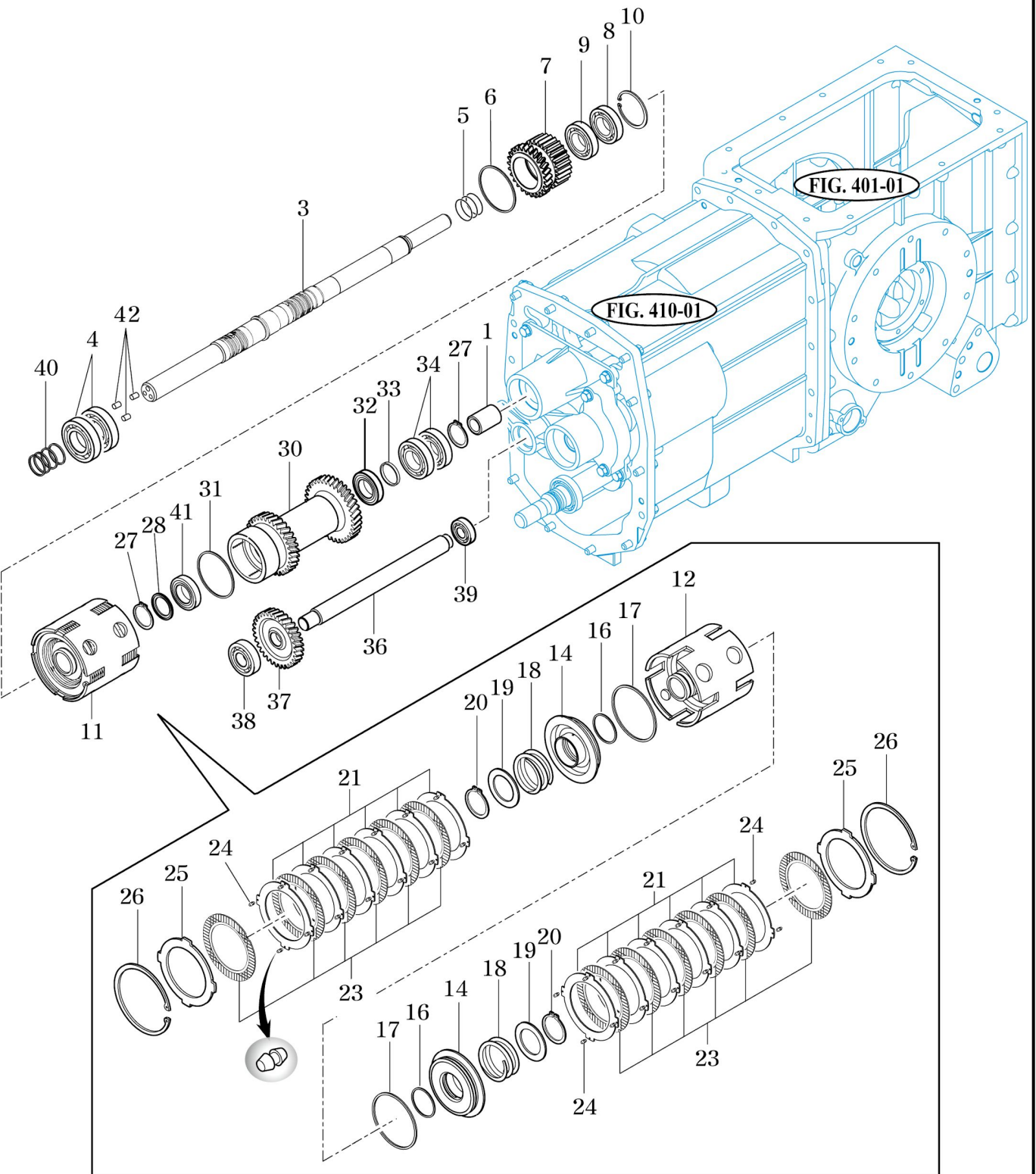
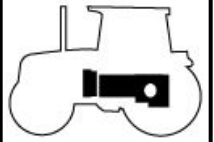
POWER SHUTTLE GEAR
T1003/T903

T1003/T903

P1

Year / Month

2010 /12



T993-K-414A

NOTE

FIG 414B

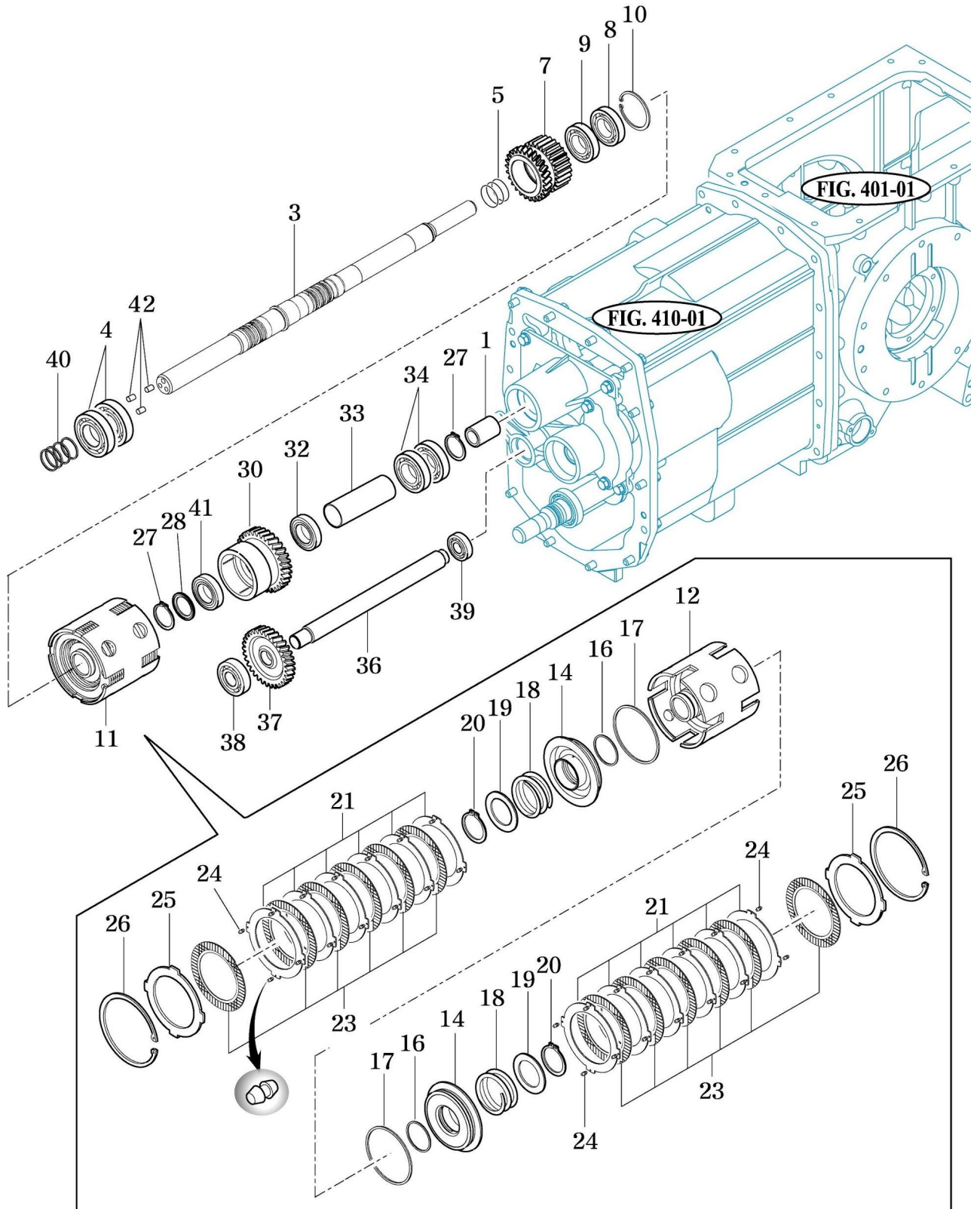
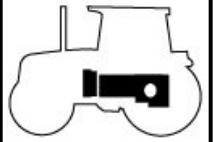
POWER SHUTTLE GEAR T803

T803

P1

Year / Month

2010 /12



T993-K-414B

NOTE

FIG 415B

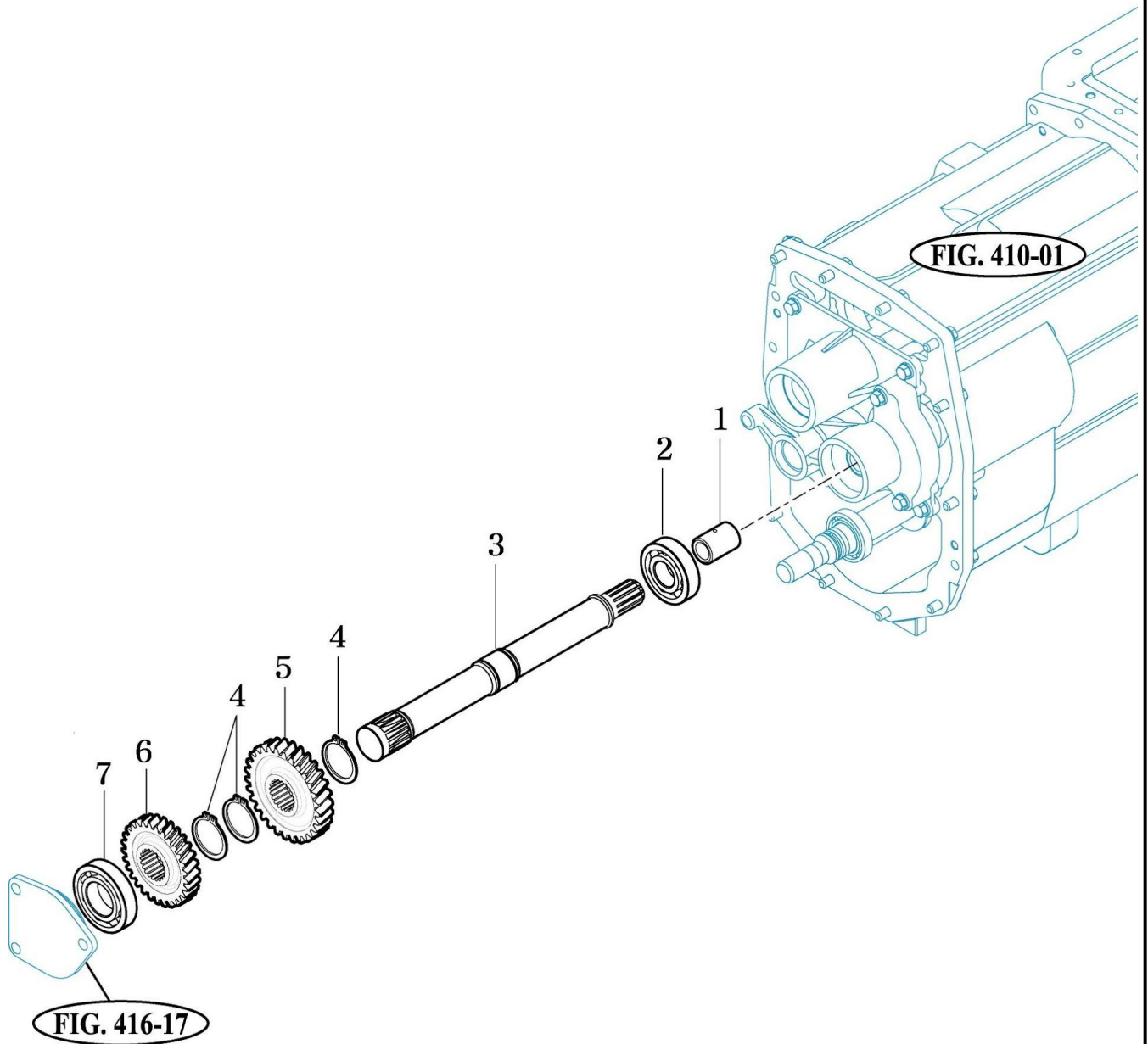
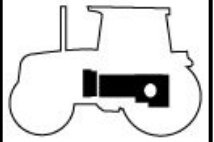
T803

POWER SHUTTLE COUNT GEAR
T803

P1

Year / Month

2010 /12



T993-K-415B

NOTE

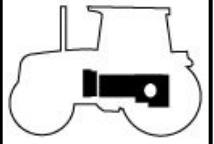
FIG 416

CASE, FR TRANSMISSION

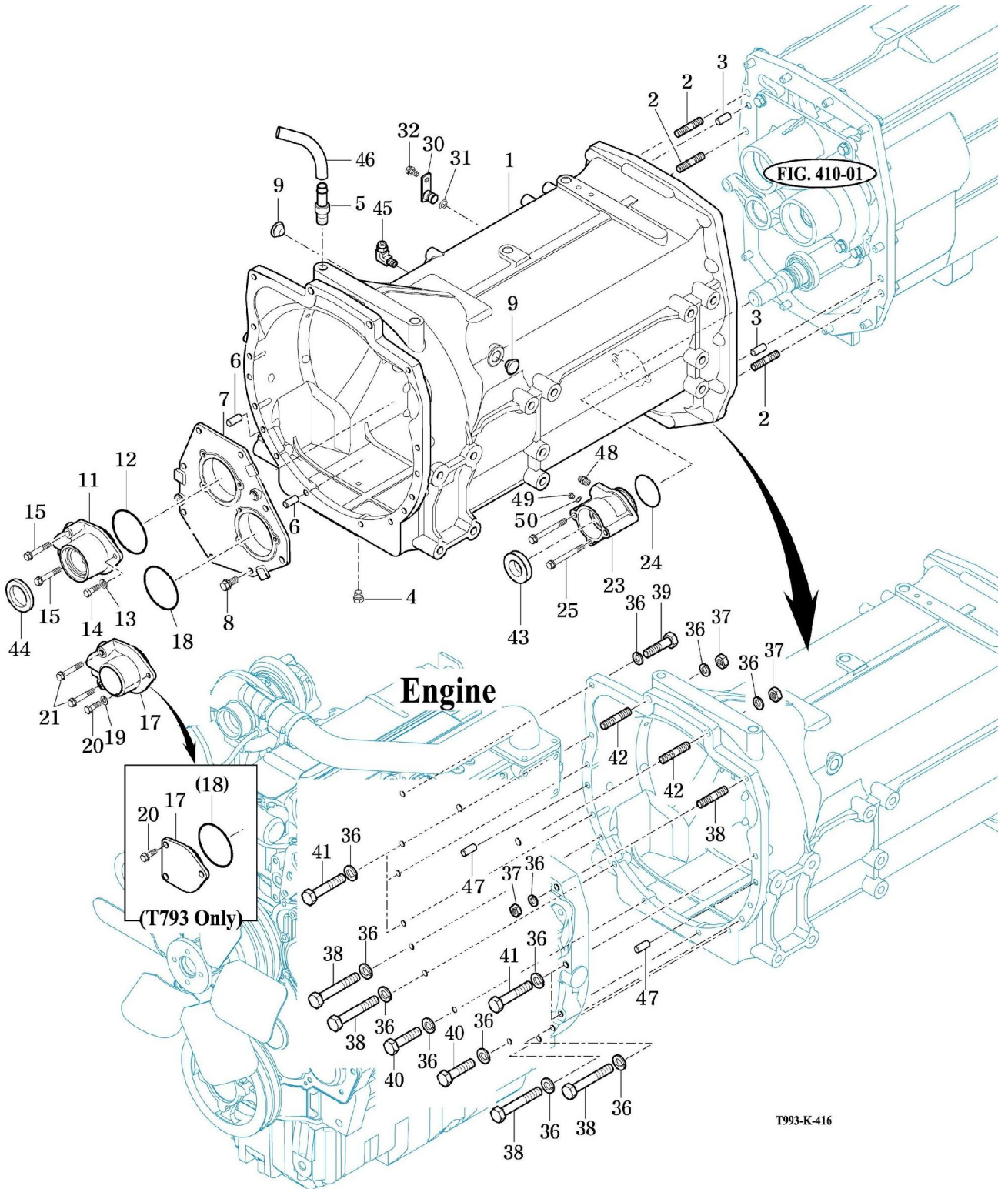
P1

Year / Month

2010 /12



T1003/T903/T803



T993-K-416

NOTE