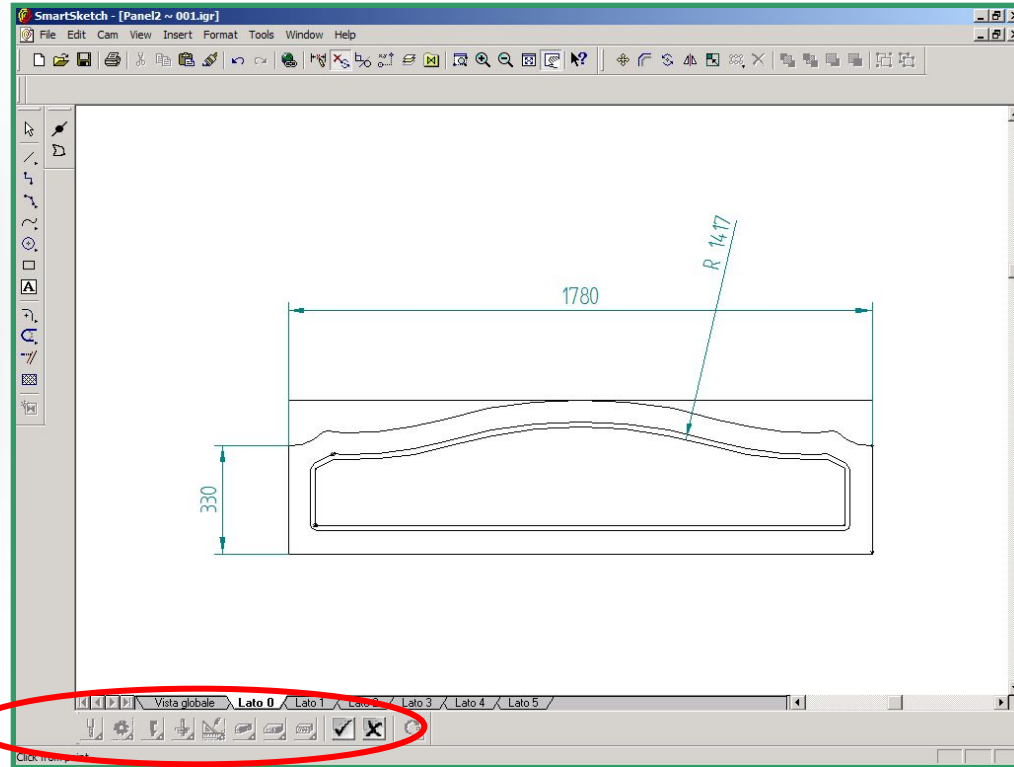


CAD SmartSketch

Biesse icons
defining machining
technologies



CAD SmartSketch integrated and personalized by Biesse to
provide the maximum simplicity of use

1

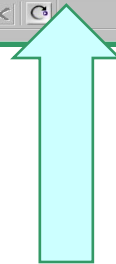
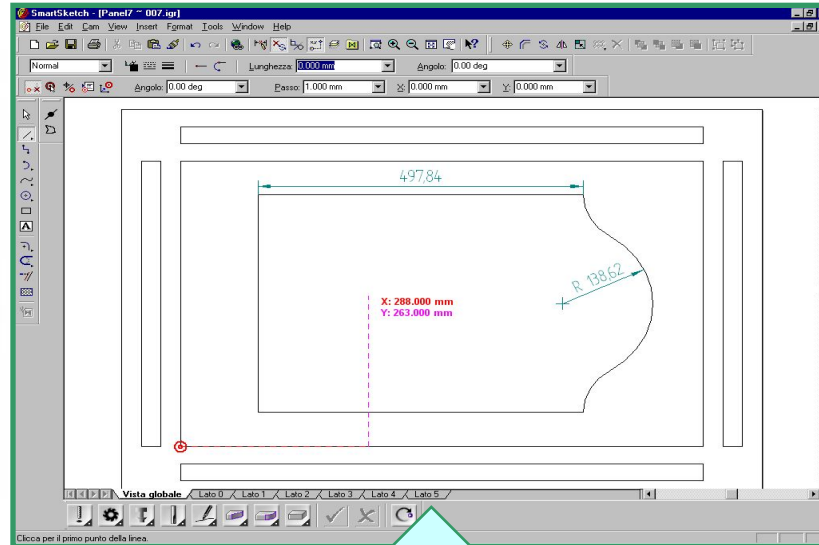
CAD SmartSketch

- SmartSketch allows operators to draw any profile easily and intuitively and to associate it immediately to the technological information
- The CAD system replicates the same panel representation as the editor and it is possible to define machining operations by using the same dialogue windows

CAD SmartSketch

- Machining operations defined in the CAD system are automatically available in the editor and vice versa and it is possible to modify the geometry of a machining operation by saving the associated technological information
- SmartSketch offers all the typical CAD functions such as positioning, “snapshots” for capturing the significant points of a profile (final points, average points ...), creation of mirror-image, rotated or offset profiles

CAD SmartSketch



To run a CAD SmartSketch demo click [here](#) or launch the file "CAD.wmv" in the \CAD SmartSketch directory

4