

NIKOLA TESLA

SCHOOL: 22

STUDENTS: MASLENNIKOVA EKATERINA

POTAPOVA VIKTORIA

FORM: 8

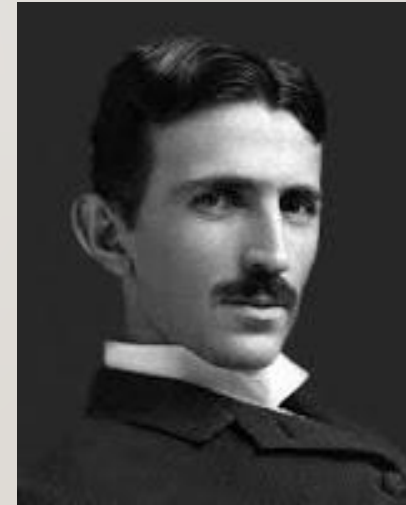
TEACHER: STEPANYAN S.N.

BIOGRAPHY

NIKOLA WAS BORN ON OF 10TH JULY IN 1856 IN AUSTRIA. HE HAD THREE SISTERS AND BROTHER, WHO WAS KILLED, WHEN TESLA WAS AGED FIVE.

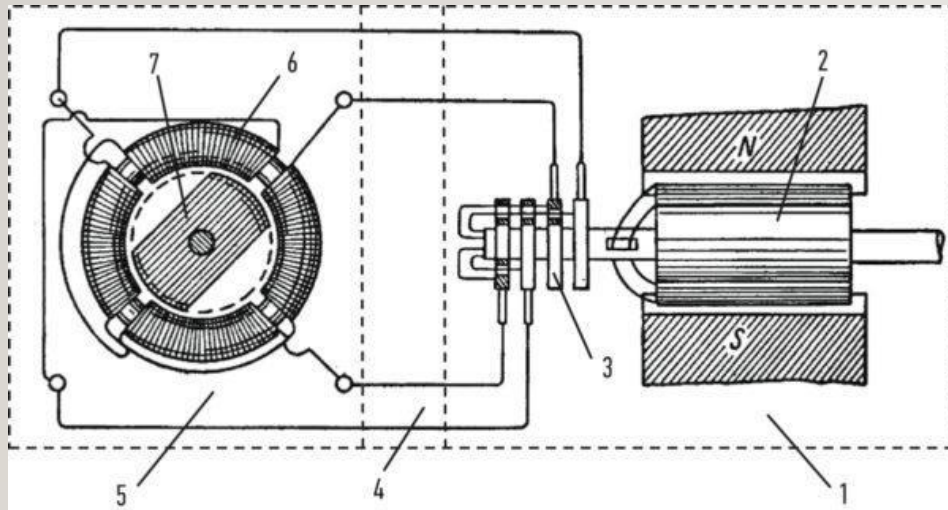


~~SINCE CHILDHOOD, THE PATH OF A PRIEST WAS DESTINED FOR ME. THIS PROSPECT HUNG OVER ME LIKE A BLACK CLOUD. WHEN I GOT MY MATRICULATION CERTIFICATE, I FOUND MYSELF AT A CROSSROADS.~~



INVENTIONS AND RESEARCH

NIKOLA STUDIED THEORIES TO EXPLAIN NATURE AND ITS PROPERTIES. IN HIS SOPHOMORE YEAR, TESLA PUT FORWARD THE IDEA OF AN ALTERNATOR AND, IN 1882, BUILT AN EFFICIENT MODEL.



IN 1891, HE BUILT A RESONANT TRANSFORMER. HE PASSED 2 MILLION VOLTS THROUGH HIMSELF, HOLDING THE BURNING EDISON BULBS IN HIS HANDS, AND SMILED.



INVENTIONS AND RESEARCH

IN THE 90S THE EDISON COMPANY "GENERAL ELECTRIC" BEGAN TO FIGHT THE TESLA COMPANY "TESLA ELECTRIC LIGHT COMPANY". THIS PERIOD WENT DOWN IN HISTORY AS THE "PERIOD OF TRANSFORMER BATTLES".



NIKOLA WAS THE FIRST TO COME UP WITH WIRELESS INTERNET AND SMARTPHONES. IN 1901, EXPRESSED AN IDEA ABOUT IT, BUT, IN THOSE YEARS, HE NEVER MANAGED TO BRING IT TO LIFE.

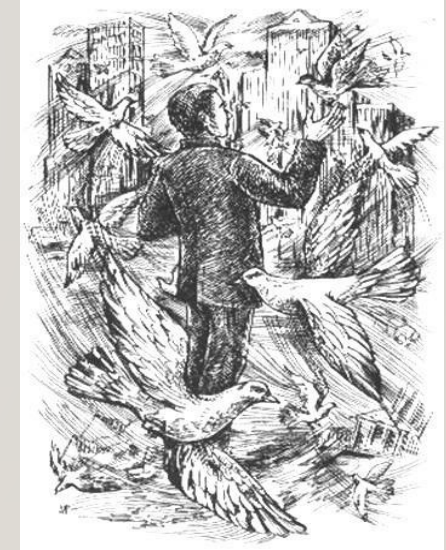
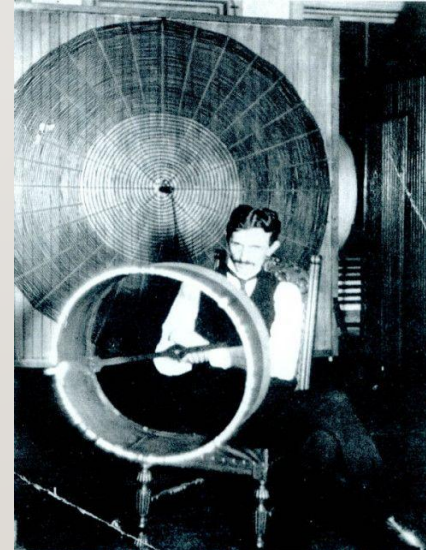


TESLA IS UNUSUAL ABILITIES

TESLA HAD AN EXTRAORDINARY PHOTOGRAPHIC MEMORY. IT IS SAID THAT IN 1885, WHEN HIS LABORATORY BURNED DOWN, HE WAS ABLE TO RECONSTRUCT MANY OF HIS INVENTIONS FROM MEMORY.



NIKOLA CLAIMED TO BE ABLE TO COMMUNICATE WITH THE PIGEONS HE FED IN CENTRAL PARK IN NEW YORK



FACTS

TESLA MONUMENT IS USED TO DISTRIBUTE WI-FI. MANY INVENTIONS STILL REMAIN SECRET. PERHAPS THEY ARE RELATED TO MILITARY DEVELOPMENTS. BUT SOME SAY THAT NIKOLA HAS SOMETHING TO DO WITH CONTACT WITH ALIENS.



TESLA WAS VERY SENSITIVE TO EXTERNAL STIMULI. HE CLAIMED TO HAVE HEARD THUNDER 900 KILOMETERS AWAY. WHILE IN COLLEGE, HE HEARD THE SOUND OF A LOCOMOTIVE 50 KILOMETERS AWAY.



SCIENTIFIC FILMS

- 2006 saw the release of Christopher Priest is fantastic drama "Prestige". A little about the plot: the magician, Alfred Borden, is convicted of the murder of Robert Engier, his rival. Both worked as assistants to "the illusionist Milton..."



LINKS

- - <https://ru.m.wikipedia.org>
- - <https://en.m.wikipedia.org>
- - <https://www.inwenta.ua>
- - <https://lifehacker.ru>
- - <https://loo-faktov.ru>
- - <https://electricalschool.info>
- - <https://habr.com>
- - <https://www.kinopoisk.ru>
- Thanks for your attention!!!))